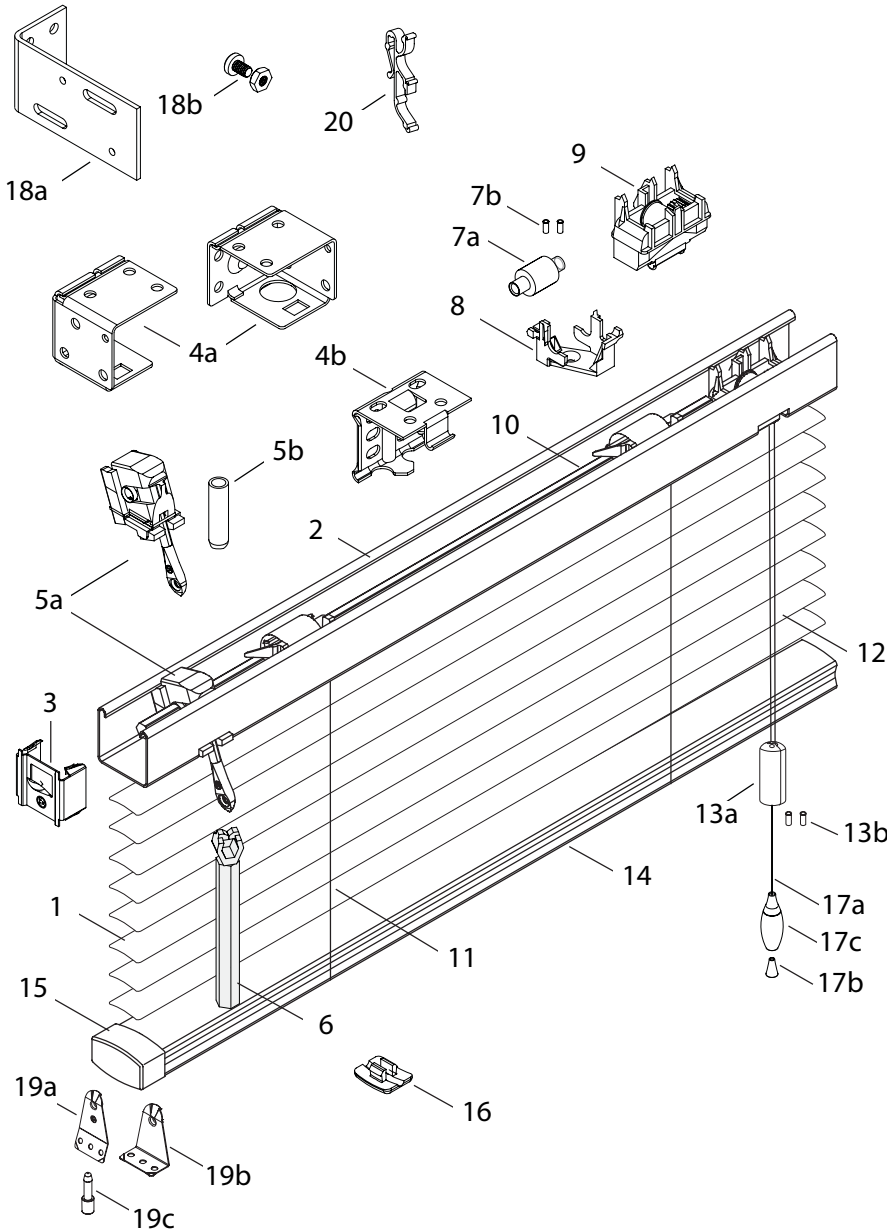


CHM82 5/8" Aluminum Horizontal Blinds



STANDARD COMPONENTS:

1. Slat
2. Headrail
3. End Lock
- 4a. Box Installation Bracket
- 4b. Intermediate Support Bracket
- 5a. Wand Tilter
- 5b. Tilter Protector
6. Wand
- 7a. Tape Roll
- 7b. Tape Locators
8. Tape Roll Support
- 9a. Cordlock Snap-In
- 9b. Cordlock Adaptor
- 9c. Separator Snap-In
10. Tiltrod
11. Cable Tape Ladder
12. Lift Cord 1.4mm
- 13a. Cord Stop
- 13b. Safety Tassel Grommet
14. Bottom Rail
15. Bottom Rail End Cap
16. Tape Button
- 17a. Lift Cord
- 17b. Conical Tassel Washer
- 17c. Tassel

OPTIONAL COMPONENTS:

- 18a. Extension Bracket
- 18b. Extension Bracket Screw and Nut
- 19a. Hold-Down Bracket (Jamb)
- 19b. Hold-Down Bracket (Sill)
- 19c. Hold-Down Pin
20. Valance Clip