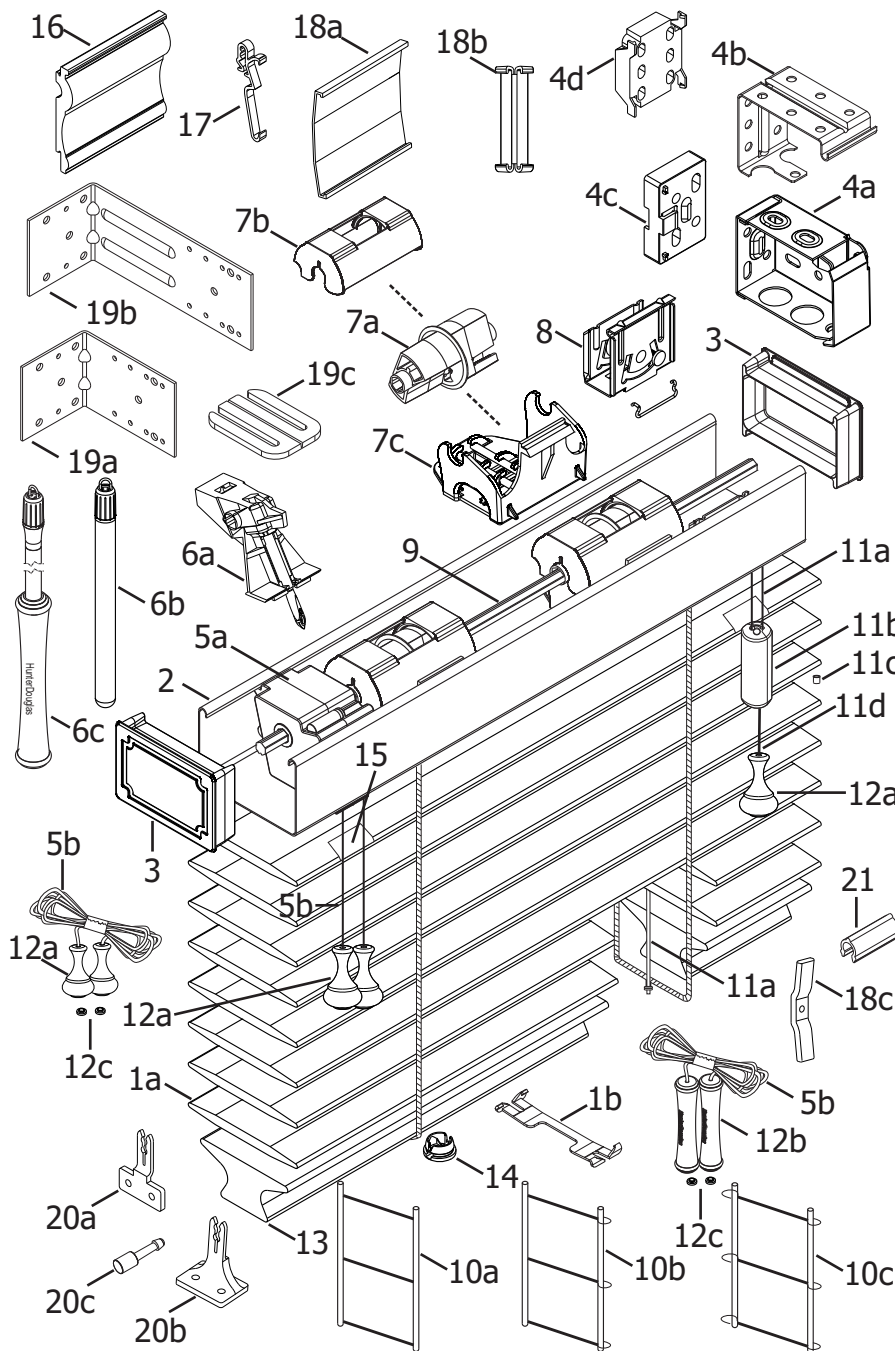


# 2½" Distinctions™ and TruGrain®



## Standard Parts

- 1a. Slat
- 1b. Tape Spacer
2. Headrail
3. Headrail End Cap
- 4a. Installation Bracket
- 4b. Intermediate Support Bracket
- 4c. Spacer Block (Bracket)
- 4d. Spacer Block (Support Bracket)
- 5a. Cord Tilter
- 5b. Tilt Cord 1.4 mm
- 6a. Wand Tilter
- 6b. Wand
- 6c. Decorative Tilt Wand™ (Ladders)
- 7a. Tape Roll Wide EPIC™ (Ladders)
- 7b. Tape Roll Wide EPIC Cover
- 7c. Support Tape Roll (Ladders)
8. Cordlock
9. Tiltrod
- 10a. No Loop Cable Tape
- 10b. Single Loop Cable Tape
- 10c. Double Loop Cable Tape
- 11a. Lift Cord 1.4 mm
- 11b. Cord Stop
- 11c. Cord Stop Washer
- 11d. Tassel Cord 2.2 mm
- 12a. Wood Tassel
- 12b. Decorative Wood Tassel
- 12c. Lift Cord Grommet
13. Bottom Rail
14. Tape Button
15. Slat Protector
16. Valance
17. Universal Valance Clip
- 18a. Valance Splice
- 18b. Universal Valance Corner Key
- 18c. Child Safety Kit (Cord Cleat)

## Optional Parts

- 19a. Short Extension Bracket
- 19b. Long Extension Bracket
- 19c. Bracket Shim
- 20a. Hold-Down Bracket (Jamb)
- 20b. Hold-Down Bracket (Sill)
- 20c. Hold-Down Pin
21. Clip

# 2½" Distinctions™ and TruGrain®

<b>No.</b>	<b>PCN</b>	<b>Description</b>	<b>No.</b>	<b>PCN</b>	<b>Description</b>
1a.	7002699xxx	Distinctions™ TruGrain® Slat	11a.	5009075xxx	1.4 mm Lift Cord
1b.	7007073000	EWX Tape Spacer	11b.	7007736xxx	Cylindrical Cord Stop
2.	5003004xxx	2" Low Profile Headrail	11c.	5008087000	Cord Stop Washer
3.	5908035000	2" Low Profile Headrail End Cap	11d.	2930320xxx	2.2 mm Tassel Cord
4a.	5003046xxx	2" Low Profile Installation Bracket	12a.	GTAXxx	Wood Tassel
4b.	5003158000	2" Low Profile Intermediate Support Bracket	12b.	7003095xxx	Decorative Wood Tassel
4c.	5003142000	Spacer Block 2" Low Profile Bracket (¾" Thick)	12c.	5008083000	Lift Cord Grommet
4d.	5003156000	Spacer Block 2" LP Support Bracket (¾" Thick)	13.	7003100xxx	High Profile Bottom Rail
5a.	5003873748	Tilter 2"n Cord Gray	14.	7004034xxx	Wood Tape Button
5b.	5009075xxx	1.4 mm Tilt Cord	15.	7007071000	Beveled Slat Protector
6a.	5003768000	2" Low Profile Wand Tilter	16.	7005396xxx	EverWood Grandover™ Valance
6b.	Wood Wand Assembly		17.	7007845000	Universal Valance Clip
	WDA24xxx*	24"	18a.	7007541000	Valance Splice Clip
	WDA30xxx*	30"	18b.	7007444000	Universal Valance Corner Key
	WDA36xxx*	36"	18a.	7007071000	Beveled Slat Protector
	WDA48xxx*	48"	18c.	2980246000	Child Safety Kit (Cord Cleat)
	*Wood wand assembly comprised of:		<b>Optional Parts:</b>		
	-Wood Wand		19a.	5003167000	2" Low Profile Extension Bracket (Short)
	-Wood Wand Connector Kit (Wand Cap – 7008700000)		19b.	5003168000	2" Low Profile Extension Bracket (Long)
6c.	Decorative Tilt Wand Assembly		19c.	7007069000	⅛" Bracket Shim
	5008824xxx*	24"	20a.	7007076000	2" Hold-Down Bracket (Jamb)
	5008830xxx*	30"	20b.	7007075000	2" Hold-Down Bracket (Sill)
	5008836xxx*	36"	20c.	5007307000	Hold-Down Pin
	5008848xxx*	48"	21.	5003251000	Clip 2" Omega (Used on multiple blinds)
	*Decorative tilt wand assembly comprised of:		xxx = 3-digit color code		
	- Wand and Handle				
	- Tilt Wand Connector Kit (Wand Cap - 7008701000)				
7a.	5003681000	Tape Roll Wide EPIC™			
7b.	5003652000	Tape Roll Wide EPIC Cover			
7c.	5003572000	Support Tape Roll 2" Univ. Ladders - B			
8.	5003367000	2" Low Profile Cordlock EPIC			
9.	5003033000	2" Low Profile Tiltrod – Modified Hex			
10a.	5003073xxx	No Loop Cable Tape – 54 mm			
10b.	5003083xxx	Single Loop Cable Tape – 54 mm			
10c.	5003086xxx	Double Loop Cable Tape – 54 mm			