

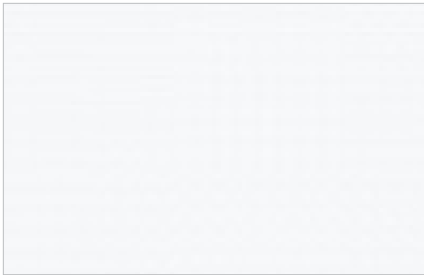
Palm Beach™ FR Polysatin Shutters



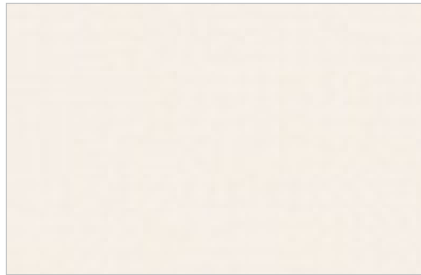
Palm Beach™ FR Polysatin Shutters offer traditional style and superb durability. Resistance to heat and high humidity and inherent flame-retardance make our shutters an ideal choice for a wide range of commercial and contract applications.

KEY FEATURES

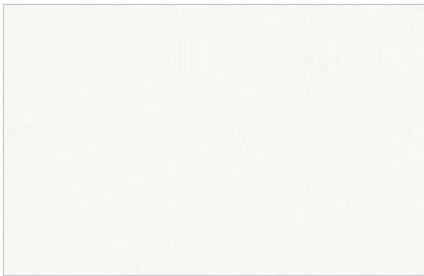
- Patented polysatin construction
- GREENGUARD Gold certified for low-emitting products
- Meets requirements of NFPA 701 small scale flammability testing for commercial applications
- Guaranteed never to warp, fade, chip, or peel
- Energy-efficient design with an R-value of 5.68 to help reduce HVAC costs
- UV resistant
- Three louver sizes and four neutral colors
- Lifetime Guarantee



5136 Bright White



5151 White Silk

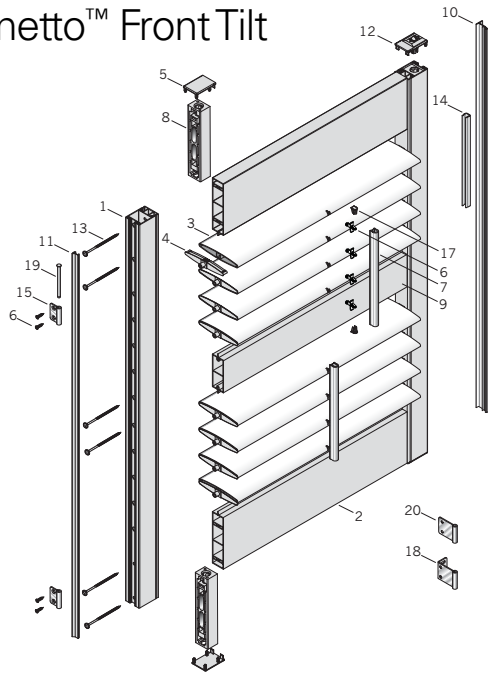


5137 White

HunterDouglas 
Architectural

Palmetto™ Front Tilt

Fig.1

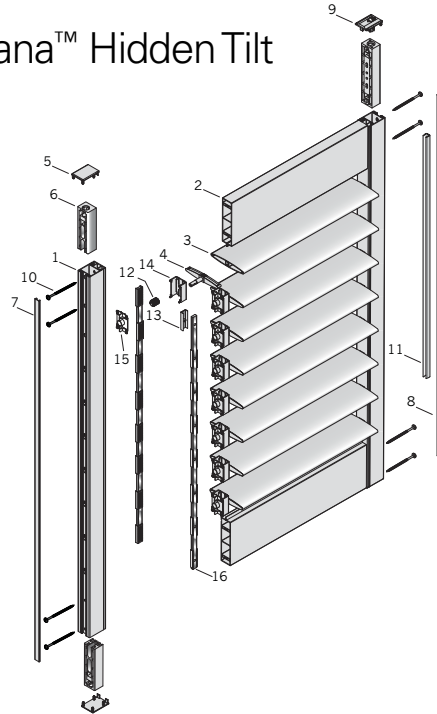


STANDARD PARTS Fig.1

- | | | |
|------------------------|------------------------|----------------------------------|
| 1. Stile | 9. Divider Rail | 17. Tilt Bar Cap |
| 2. Rail | 10. Astragal | 18. Optional Wrap Around Hinge |
| 3. Louver | 11. Flex Light Block | 19. Hinge Pin |
| 4. Louver End Cap | 12. Inverted Stile Cap | 20. Optional Extended Leaf Hinge |
| 5. Stile Cap | 13. Panel Screw | |
| 6. Front Cufflink | 14. Tension Rod | |
| 7. Tilt Bar | 15. Hinge Leaf | |
| 8. Stile Reinforcement | 16. Hinge Screw | |

Lantana™ Hidden Tilt

Fig.2



STANDARD PARTS Fig.2

- | | | |
|------------------------|-------------------------|------------------------|
| 1. Stile | 6. Stile Reinforcement | 11. Tension Rod |
| 2. Rail | 7. Light Block | 12. Gear |
| 3. Louver | 8. Flex Light Block | 13. Gear Rack |
| 4. Louver End Cap Gear | 9. Inverted Stile Cap | 14. Gear Housing |
| 5. Stile Cap | 10. Panel Screw #8 X 3" | 15. Gear Housing Cover |
| | | 16. Rear Tilt Bar |

PRODUCT SPECIFICATIONS

PART 2 – PRODUCTS

2.01 ACCEPTABLE MANUFACTURER

- A. Hunter Douglas Architectural / 13915 Danielson St., Ste.100/Poway, CA 92064 / Phone: 800-727-8953 / Fax: 800-205-9819 / Website: HDarchitectural.com or architect approved equivalent.
- B. Product substitutions must be approved by architect minimum of 30 days prior to close of bid.

2.01 COMMERCIAL SHUTTERS

- A. **PRODUCT:** Hunter Douglas "Palm Beach™ Shutters"
- B. **MATERIALS:**
- C. **ROTATION SYSTEM:** Three operating system options that provide tight and uniform closure are available. Palmetto™ Front Tilt features a tilt bar located on the front center of a panel. TruView™ Rear Tilt is an optional discreet operating system that offers a rear offset tilt bar. The Lantana™ Hidden Operating System system is an optional, completely hidden, gear driven operating system that provides an unobstructed view through the product.
- D. **LOUVERS:** Elliptical-shaped louvers are available in three sizes: 2 1/2", 3 1/2" and 4 1/2" widths. The louvers rotate fully in both directions. Variable louver spacing allows for consistent top and bottom rail sizes within a panel, creating a uniform look within the panel and
- E. **PANEL:** All panels are assembled using stile and rail construction. The stiles are reinforced with either molded plastic and/or aluminum reinforcement based on the size of the panel. Color-coordinated stile end caps conceal fabrication hardware for a finished look. Horizontal mid rails offer strength for longer panels and divide the shutter into two or more louver sections for maximum light and privacy control.
- F. **FRAMES:** Seven frame options are available and can be configured with 2, 3 or 4 sides. Optional 1/2" build-outs available for outside mount frames.

- 1. **Decorative Z-Frame:** Inside mount only frame has a 1 1/8" flexible face and an overall frame depth of 2 1/16".
- 2. **Standard Z-Frame:** Inside mount only frame has a 1 3/4" face and an overall frame depth of 2 1/16".

- 3. **Colonial Z-Frame:** Inside mount only frame has a 2 1/2" face and an overall frame depth of 2 1/16".
- 4. **Classic Z-Frame:** Inside mount only frame has a 1 15/16" face and an overall frame depth of 2 1/16".
- 5. **Deluxe Casing Frame:** Outside mount only frame has a 2 1/8" face and an overall frame depth of 2 7/16".
- 6. **Standard L-Frame:** Inside or outside mount frame has a 3/4" face and an overall frame depth of 2 1/16".
- 7. **Deluxe Casing Sill/Extended L-Frame:** Inside or outside mount frame has a 3/4" face and an overall frame depth of 2 7/16".
- G. **TRACKS:** Optional Bi-Fold (overall depth 3", overall backside width 2") and bypass (overall depth 5", overall backside width 2") track system available. Additional Rack Options: Open Louver Bypass and Triple Track Bypass; dimensions dependent on selected louver size.
- H. **MOUNTING HARDWARE:** Manufacturer's standard screws allow for easy and proper installation. All hinges are two part hinges with a removable pin. Painted hinges are powder coated and color coordinated.
- I. **ADDITIONAL AVAILABLE OPTIONS:** Stainless Steel Hinges, Removal Pin Hinge, Specialty Shapes, French Doors with and without Cut-out, Double-Hung Panel Configuration and Café Style Configuration.

2.02 FABRICATION

- A. Shutter measurements shall be accurate within +/- 1/16" or as recommended in writing by manufacturer.
- B. All shutters are custom made to each individual order.

2.04 FINISHES

- A. **Three color options are available:** Bright White, White, and White Silk. The material resists scratches and dents and the color permeates through the material.
- B. **Hinges are available in eight finishes:** Bright White, White, White Silk, Linen, Brass, Antique Brass, Brushed Nickel and Stainless Steel.