

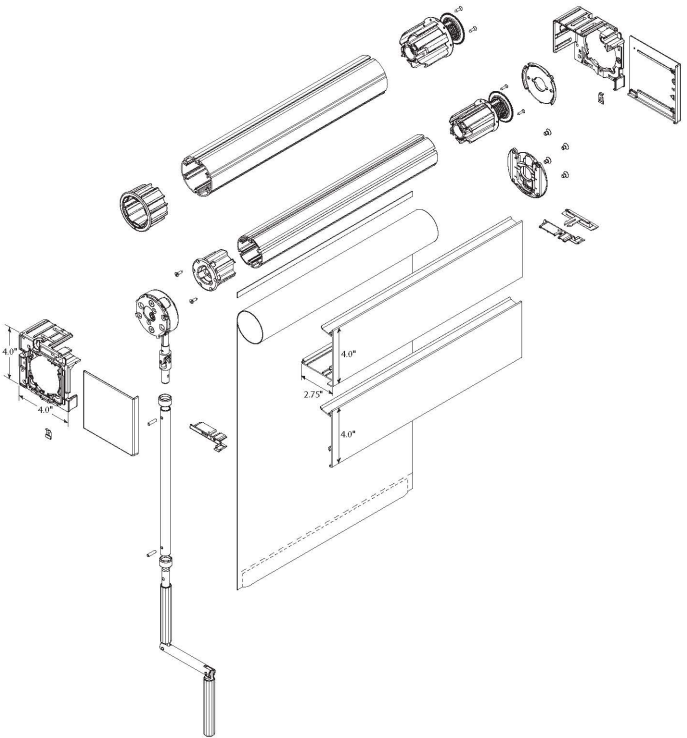


Installation Instructions

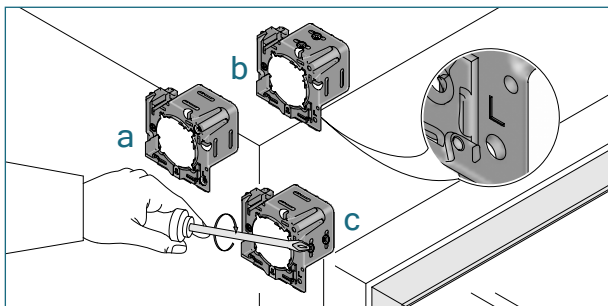
RB 500 Manual Roller Shades

Heavy Duty Crank With Fascia

5-235 Series-Crank Operation

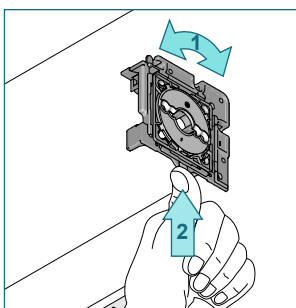
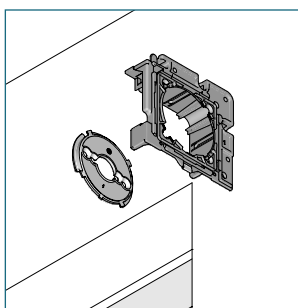


Installation

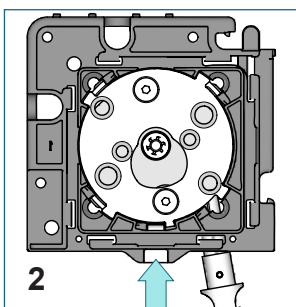
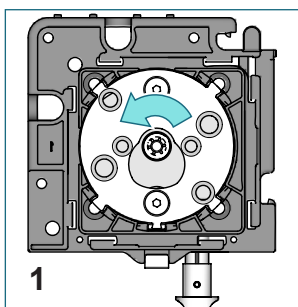


Install the brackets (L or R marked inside) with the screws provided.

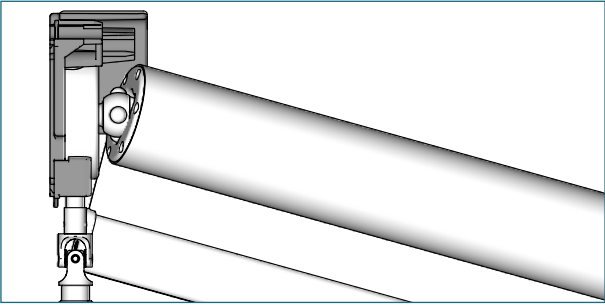
a) recess b) ceiling c) wall



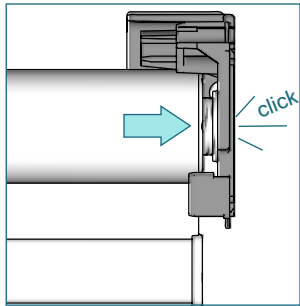
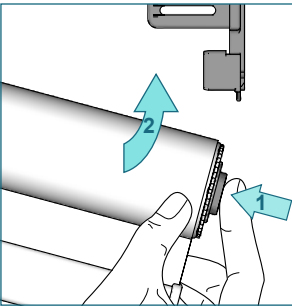
Insert the Plate L into the bracket on the non-operating side. Turn the Plate L in the rolling off direction (1) and secure it with the locking clip (2). Not necessary when using bracket with leveler.



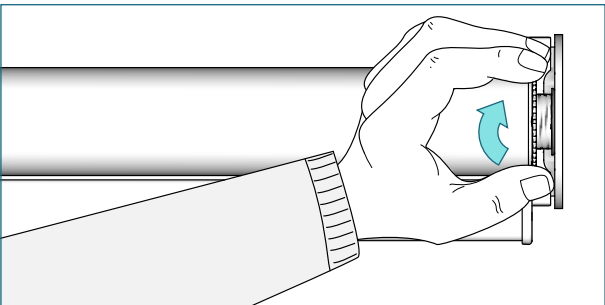
Insert the crank with the front plate into the bracket (1). Turn the crank in the rolling off direction and secure it with the locking clip (2).



Place the tube adapter on the crank head.

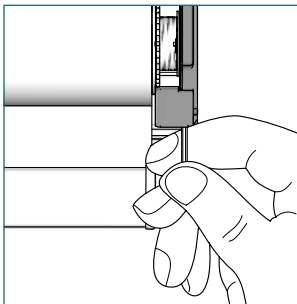
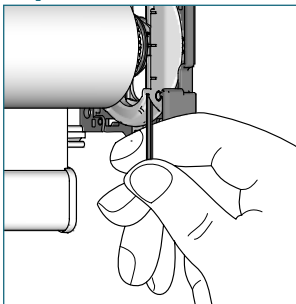


Press the tube bearing plug and lift the shade until it snaps into the bracket.

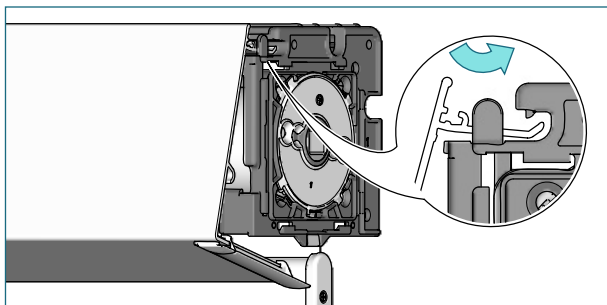


Secure the shade by turning the locking ring on the tube bearing plug furthest away from the bracket.

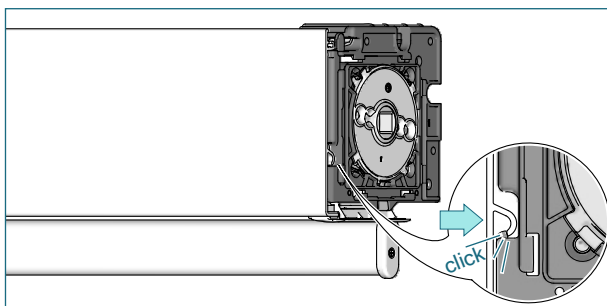
Option: Leveler



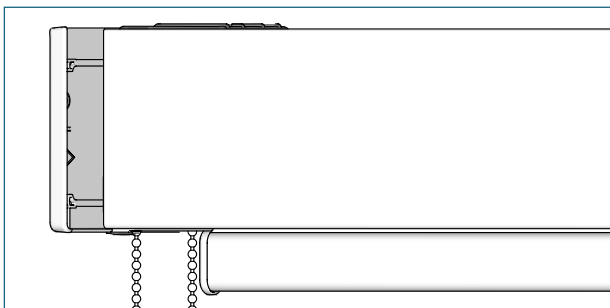
To adjust skewing, put the provided Allen key into the screw of the leveler and turn it left or right to move the shade up and down. Support lifting of large heavy shades with the palm of your hand.



Place the fascia in the bracket. Make sure that the fascia slides under the nose of the bracket.

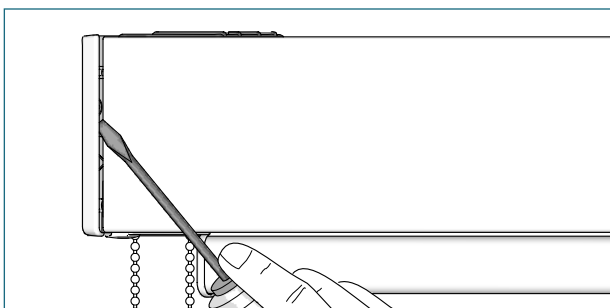


Push the fascia to snap it into the bracket.

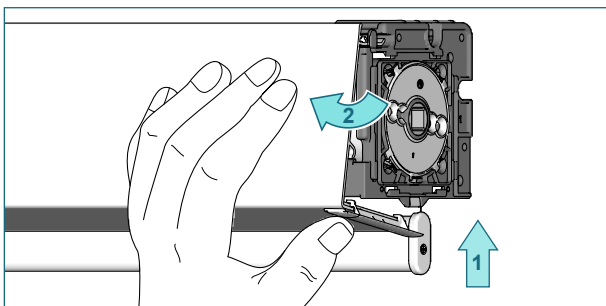


Slide the bracket covers onto the brackets.

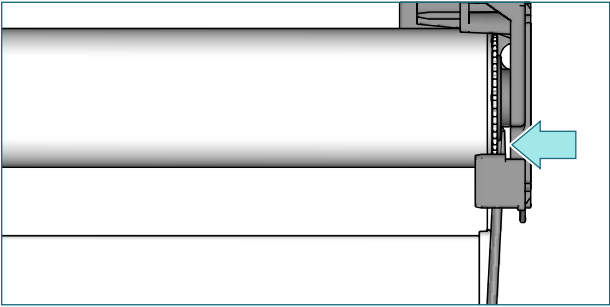
Removal



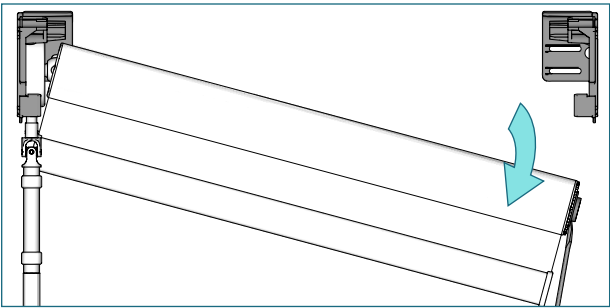
Place the screw driver under the bracket cover, turn the screw driver and slide the bracket cover from the bracket.



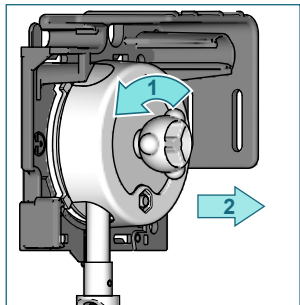
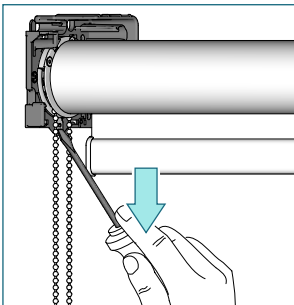
Press the bottom of the fascia upwards (1) and pull it outwards (2).



Unfasten the locking ring. Slide a screw driver between locking ring and bracket and push the tube bearing plug in the crank direction.



Move the shade downwards out of the bracket.



Place the screw driver into the slot of the locking clip. Press the locking clip down and turn the crank in the roll-up direction. Take the crank out of the bracket.