

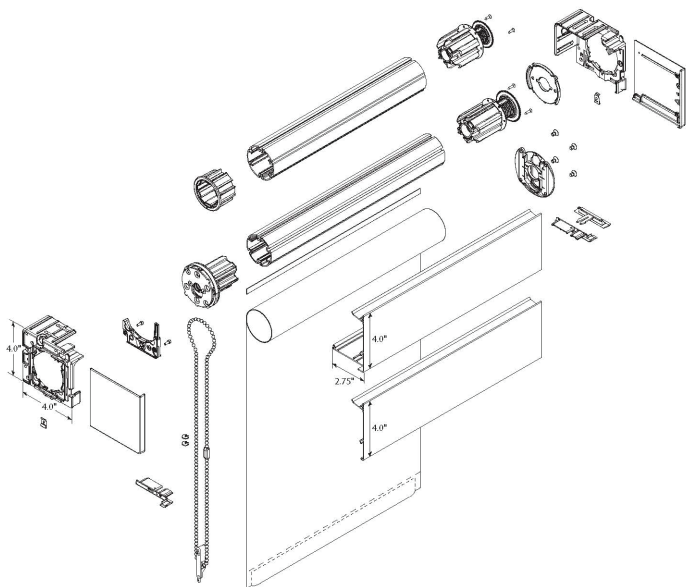


# Installation Instructions

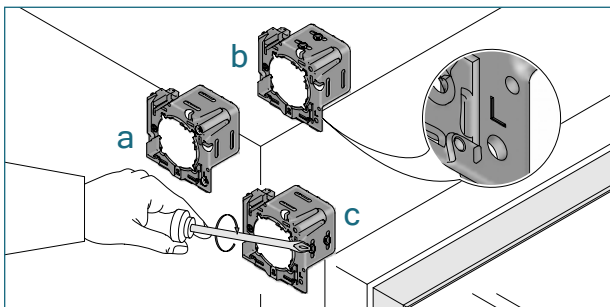
## RB 500 Manual Roller Shades

### Heavy Duty Clutch With Fascia

### 5-231 Series-Chain Operation

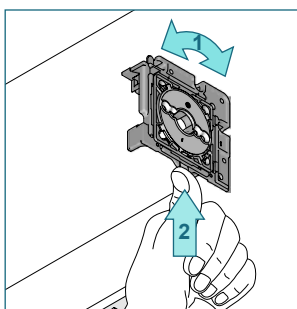
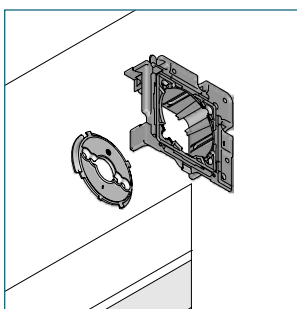


## Installation



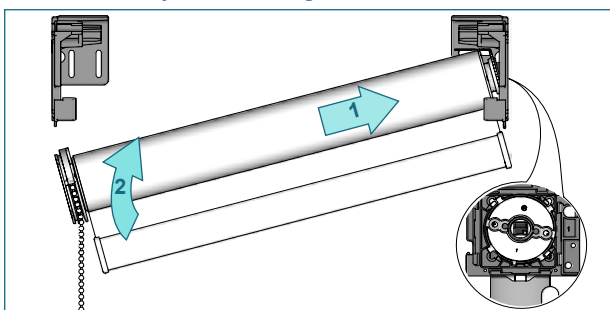
Install the brackets (L or R marked inside) with the screws provided.

a) recess    b) ceiling    c) wall

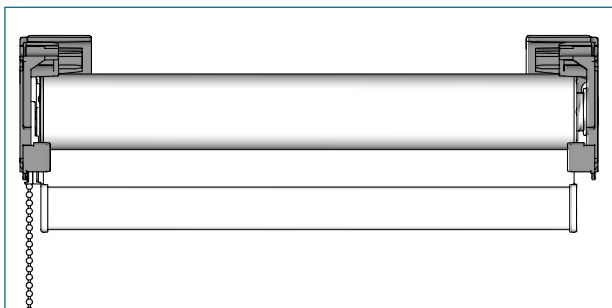


Insert the Plate L into the bracket on the idle end side. Turn the Plate L in the rolling off direction (1) and secure with the locking clip (2).

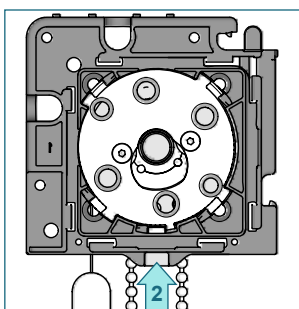
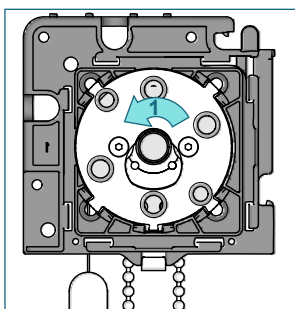
Not necessary when using bracket with leveler.



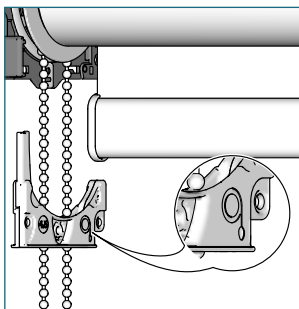
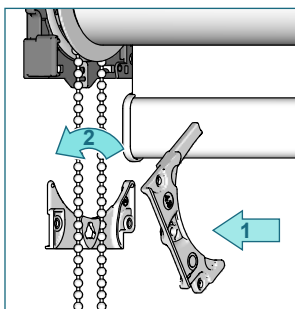
Place the shade with the idle end onto the bracket. Push the shade against tube bearing plug and lift it up ...



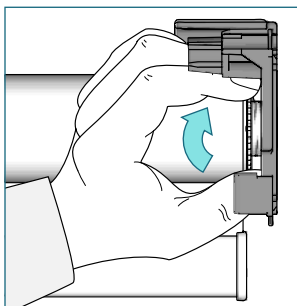
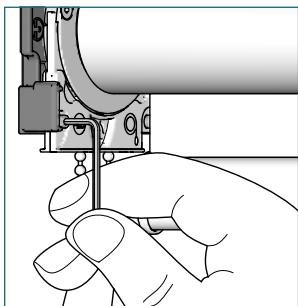
...line up teeth of the clutch with bracket & insert



Turn the shade (10°) in the rolling off direction (1) and secure it with the locking clip (2).

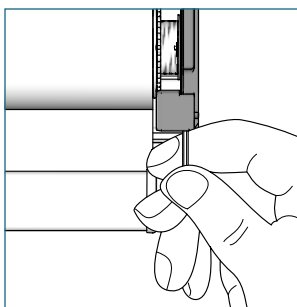
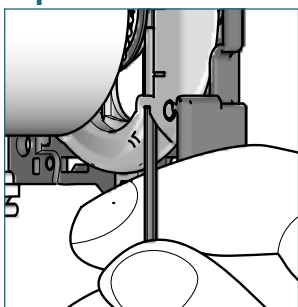


Put the chain between the chain outlet. Pay attention that stamping and roll-off direction of the shade are identical. Put the parts together (1) and turn left for closing (2).

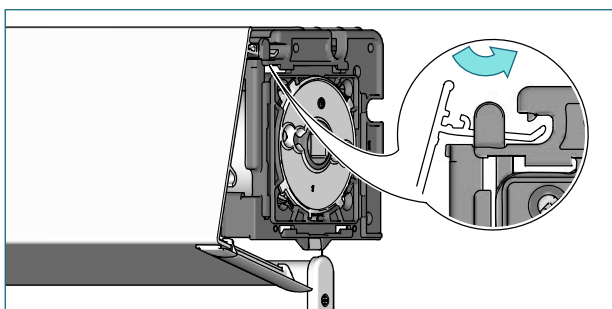


Slide the chain outlet up to the clutch and attach on the bracket with the 2 screws provided. Secure the shade by turning the locking ring away from bracket.

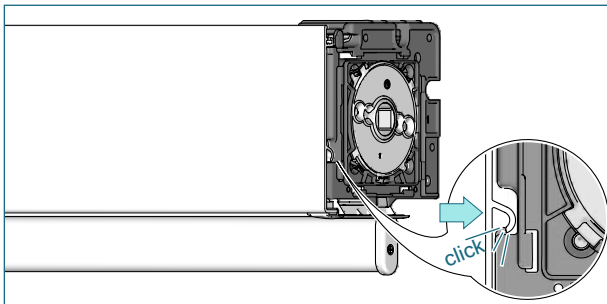
### Option: Leveler



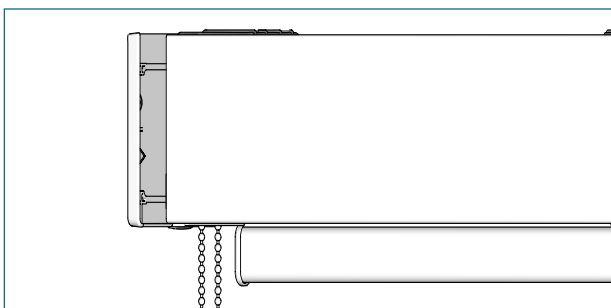
To adjust skewing, put the provided Allen key into the screw of the leveler and turn it left or right to move the shade up and down. Support lifting of large heavy shades with the palm of your hand.



Place the fascia in the bracket. Make sure that the fascia slides under the nose of the bracket.

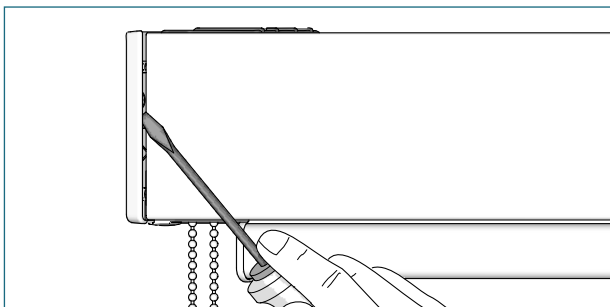


Push the fascia to snap it into the bracket.

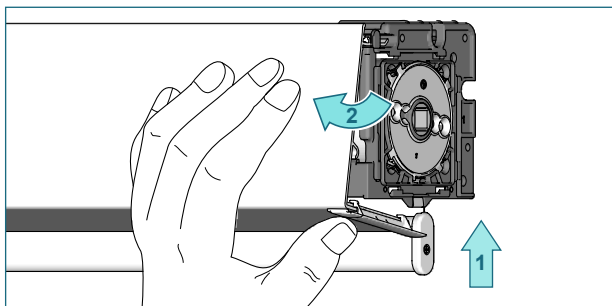


Slide the bracket covers onto the brackets.

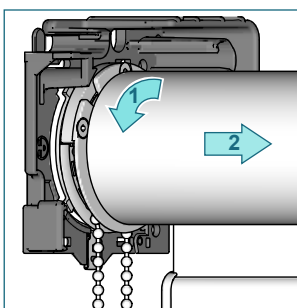
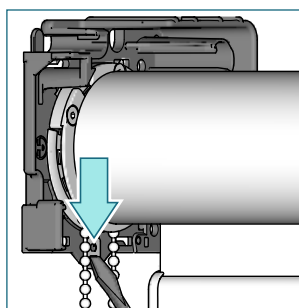
## Removal



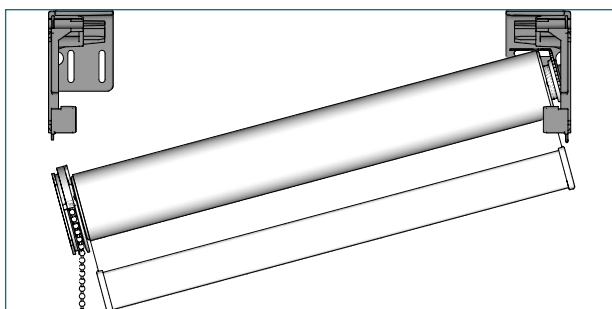
Place the screw driver under the bracket cover, turn the screw driver and slide the bracket cover from the bracket.



Press the bottom of the fascia upwards (1) and pull it outwards (2). Loosen both screws from the chain outlet and remove the outlet.



Open fastener on bracket adapter. Place the screwdriver into the slot of the bracket clip & slide the clip down and turn the shade in the roll-up direction.



Push the shade against the tube bearing plug and slide it out of the bracket.