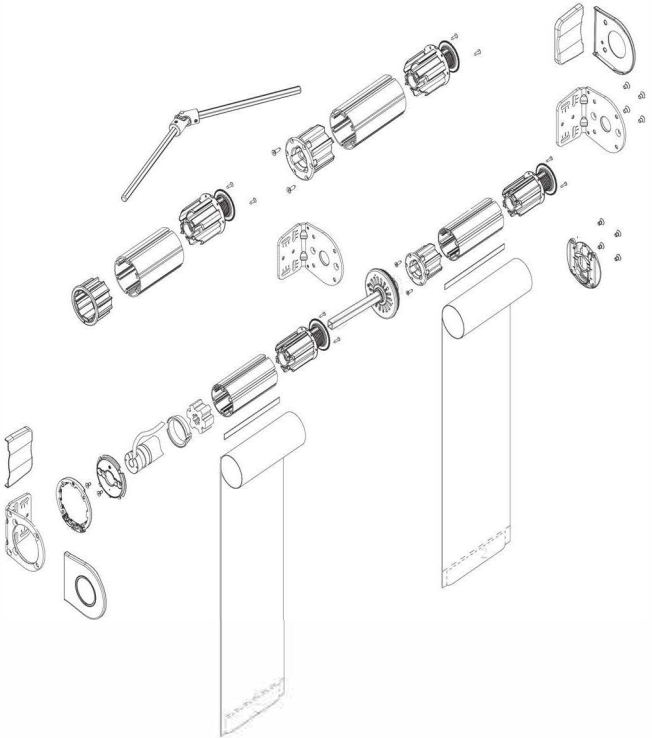




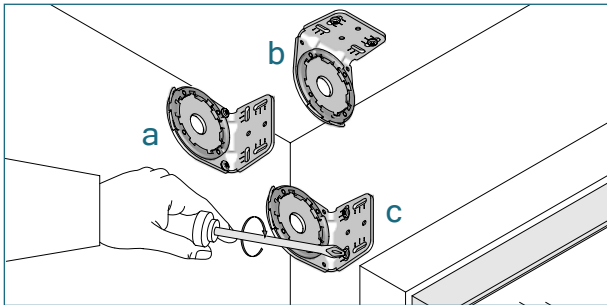
# Installation Instructions

RB 500 Motorized Roller Shade

Motorized Coupled Roller Shade

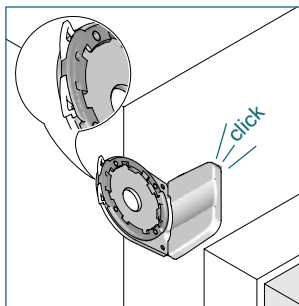
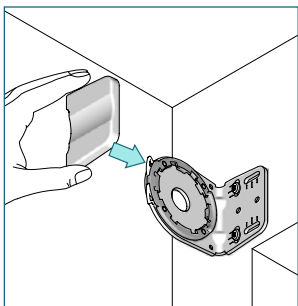


## Installation

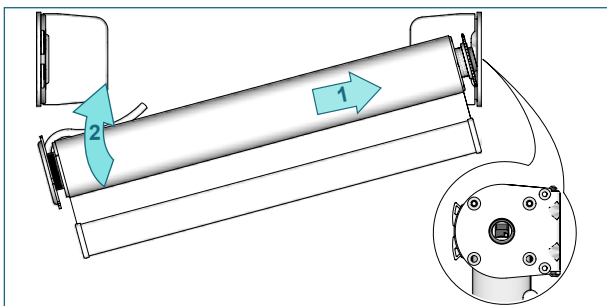


Install the brackets with the screws provided.

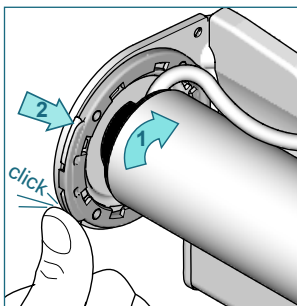
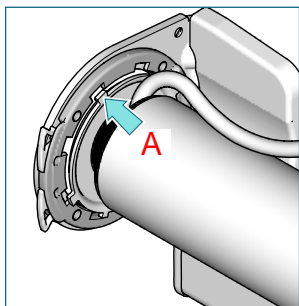
a) recess    b) ceiling    c) wall



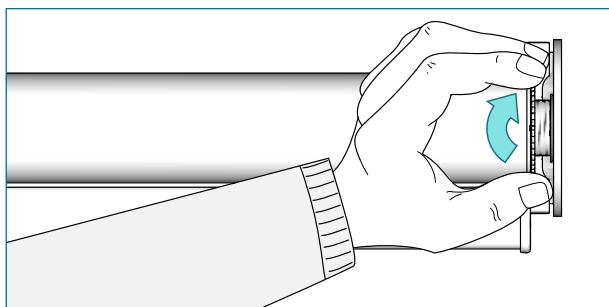
Slide the bracket cover onto the bracket until it snaps. The fastener of the bracket adapter must be open.



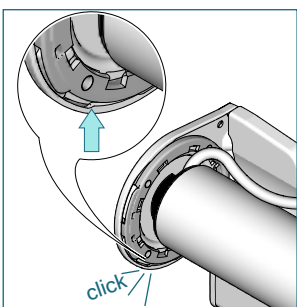
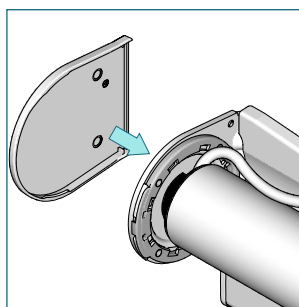
Place the shade with the tube bearing plug onto the bracket. (1) Push the shade against the idle end and lift the shade up (2).



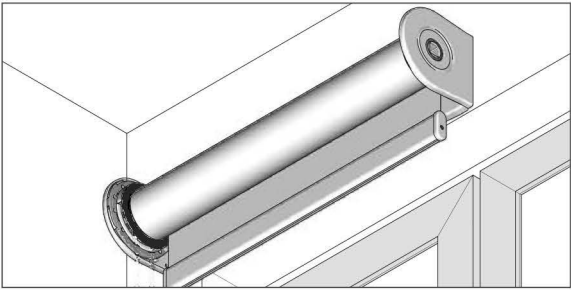
Line up teeth of motor Plate L with the bracket adapter (A). Turn the shade (10°) in the rolling off direction (1) close fastener on the bracket adapter (2). Make sure that limit switches are accessible on motors.



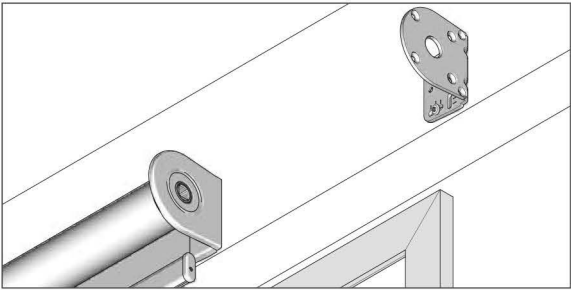
Secure the shade by turning the locking ring furthest away from the bracket.



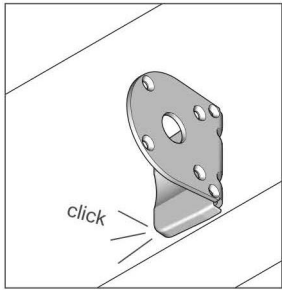
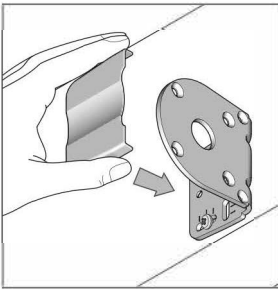
Slide the bracket covers onto the brackets. Make sure that the bracket covers snap onto the brackets.



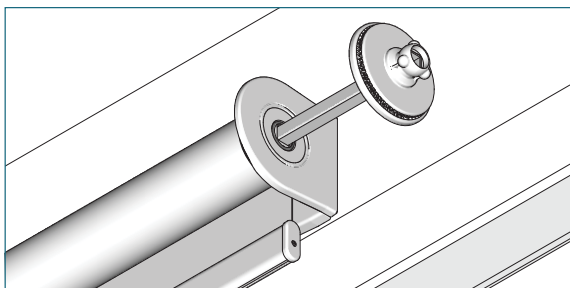
Make sure the bracket cover is on the intermediate plug bracket.



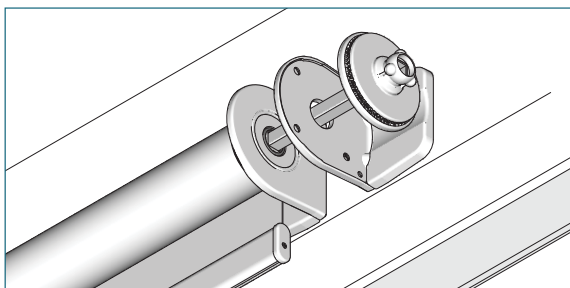
Install the end plug bracket with screws provided.



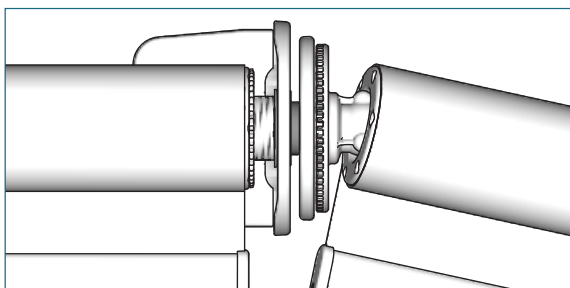
Slide the screw cover onto the bracket until it snaps.



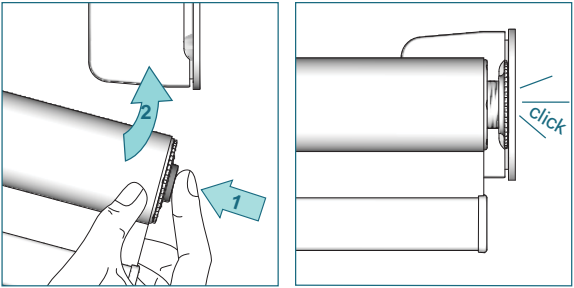
Slide the aligner or the connector set through the intermediate bracket into the tube bearing plug.



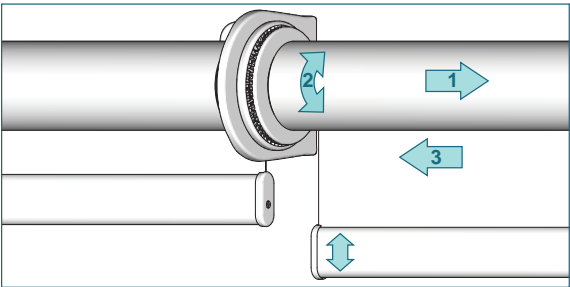
Shades with custom width gaps or Joint 45° will require 2 intermediate brackets. Slide the aligner or connector set through the intermediate bracket into the tube bearing plug.



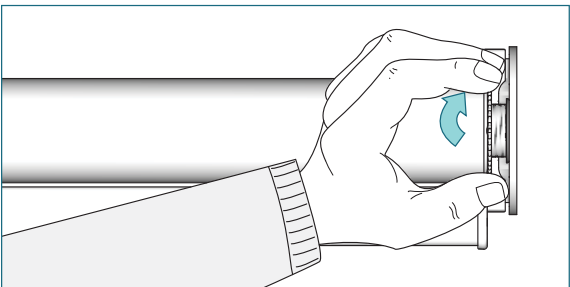
Place the tube with plug connector on the aligner or connector set head.



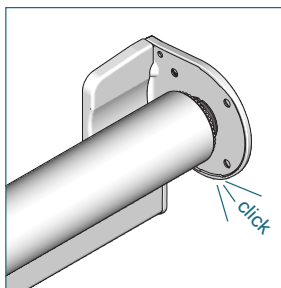
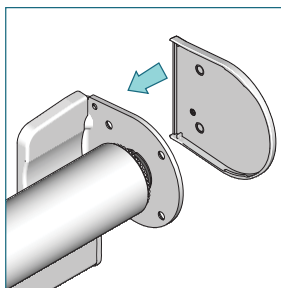
Press the tube bearing plug, lift the roller shade and snap it to the bracket.



To align the bottom hembar, pull the shade away from aligner set (1), turn shade to line up bottom hembar together (2). Release shade to secure position (3). Not possible when using connector set.

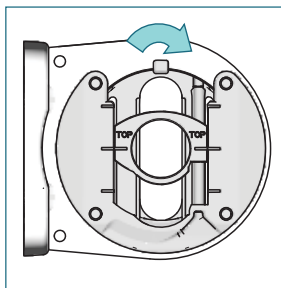
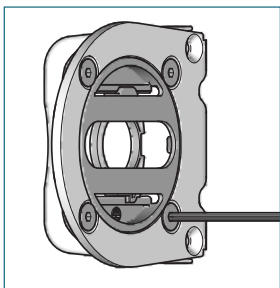


Secure shade band by turning the locking ring on tube bearing plug furthest away from the bracket.

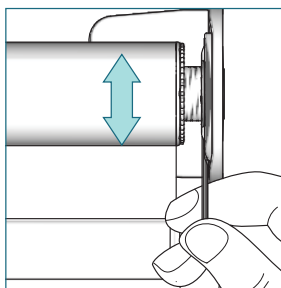
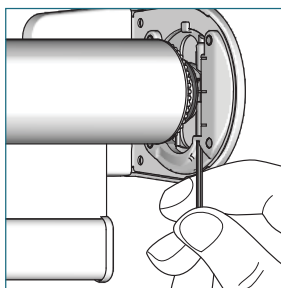


Slide the bracket cover onto the bracket. Make sure that the bracket cover snaps onto the bracket.

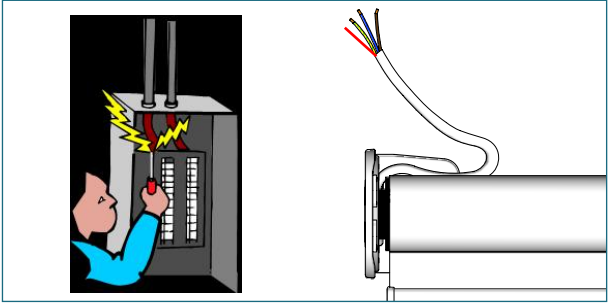
### Option: Leveler



Make sure that the opening for the Allen key is pointing downwards before installing the brackets. Change the orientation by loosening the 4 screws and turning the leveler 90°. Reinstall the screws.



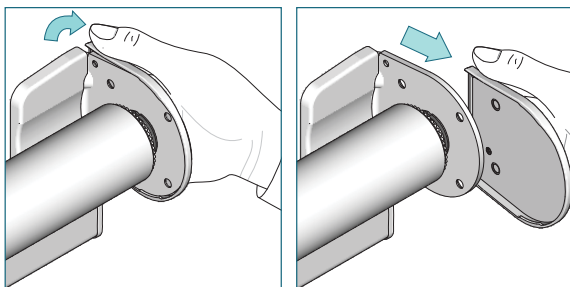
To adjust skewing, put the provided Allen key into the screw of the leveler and turn it left or right to move the roller shade up and down. Support lifting of large heavy roller shades with the palm of your hand.



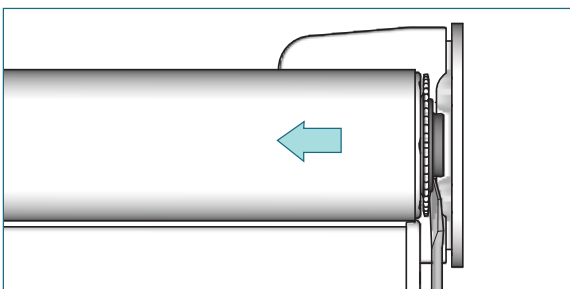
Connect the motor and all controls in accordance with all safety standards.



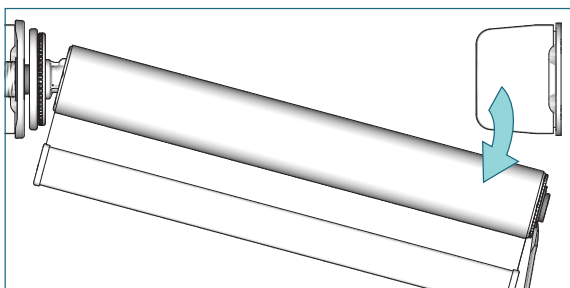
## Removal



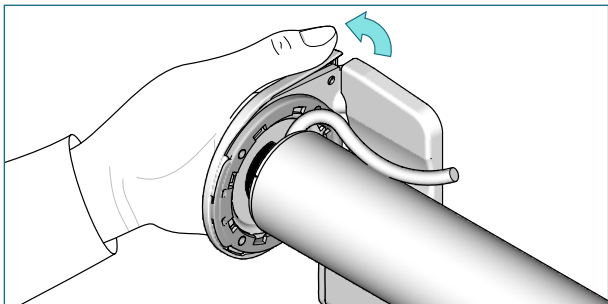
Lift the backside of the bracket cover and slide it towards you.



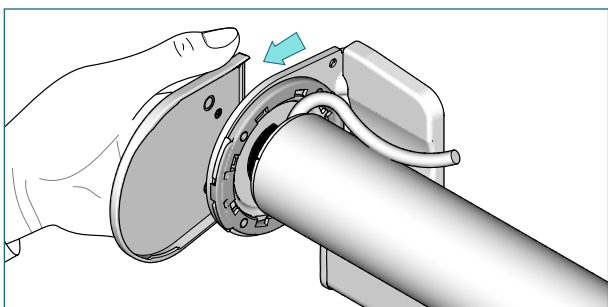
Unfasten the locking ring. Slide a screw driver between locking ring and bracket and push the tube bearing plug in the aligner/connector direction.



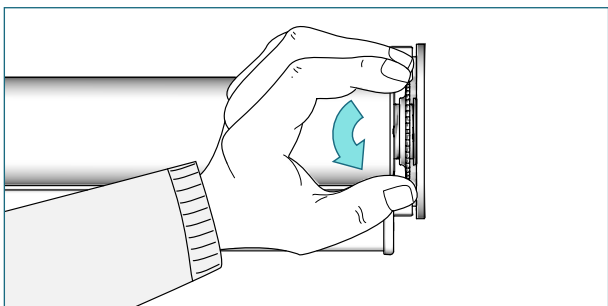
Move the roller shade downwards out of the bracket. Pull the aligner or connector out of the tube bearing plug.



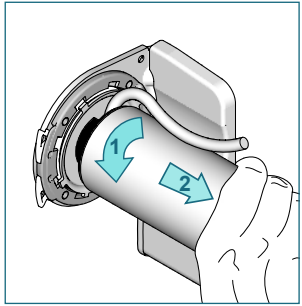
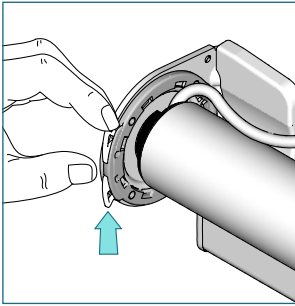
Disconnect power to the motor. Lift the backside of the bracket cover...



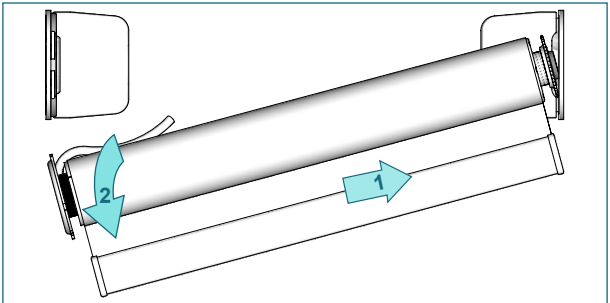
... and slide it towards you.



Unfasten the locking ring.



Open fastener on the bracket adapter. Turn the shade in the roll up direction (1) and then pull Plate L out of the bracket adapter.(2)



Push the shade against the tube bearing plug and slide it out of the bracket.