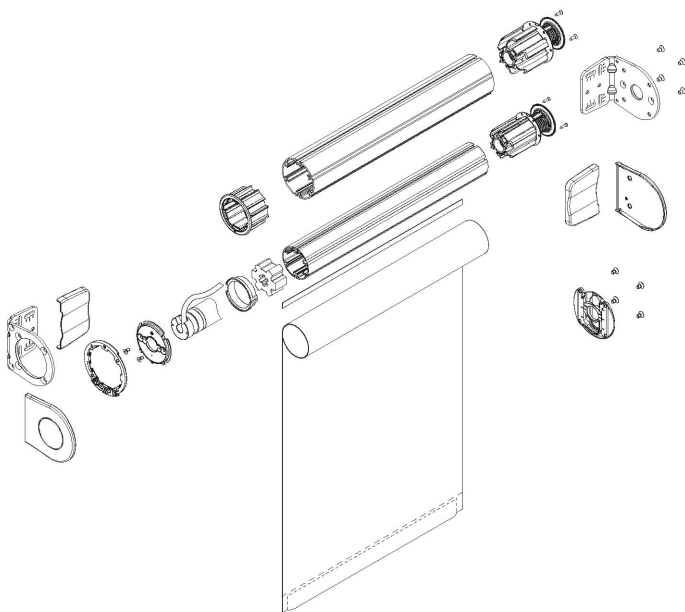




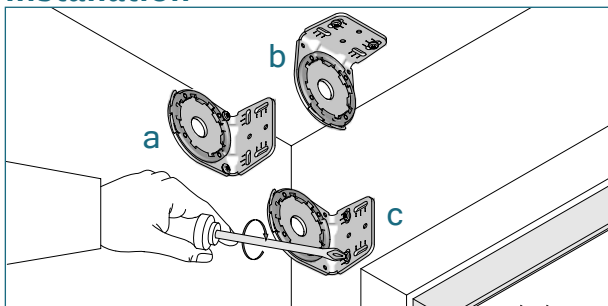
Installation Instructions

RB 500 Motorized Roller Shades Motorized Roller Shade

5-216 Series-Motor Operation

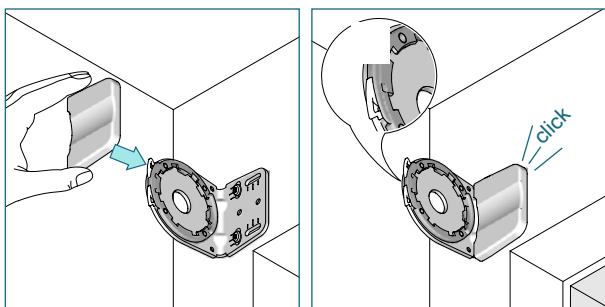


Installation

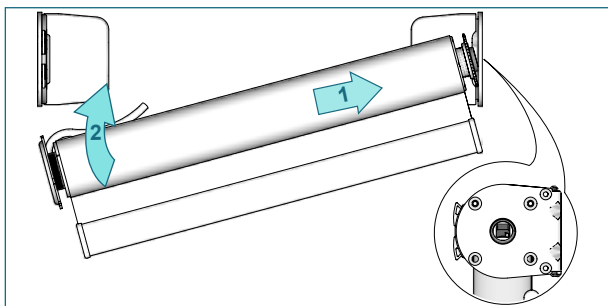


Install the brackets with the screws provided.

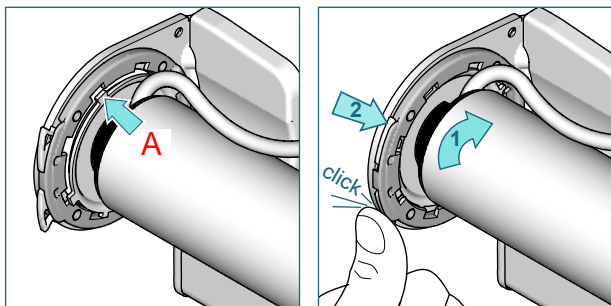
a) recess b) ceiling c) wall



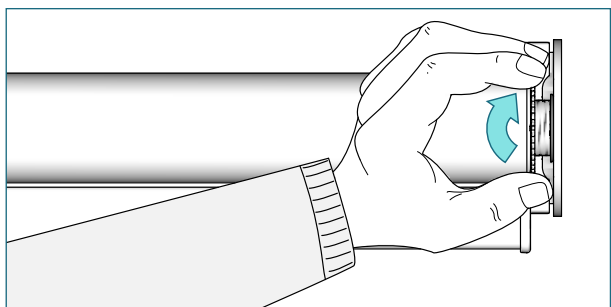
Slide the bracket cover onto the bracket until it snaps. The fastener of the bracket adapter must be open.



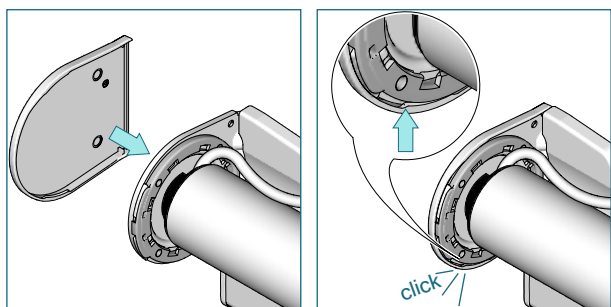
Place the shade with the tube bearing plug onto the bracket. (1) Push the shade against the idle end and lift the shade up (2).



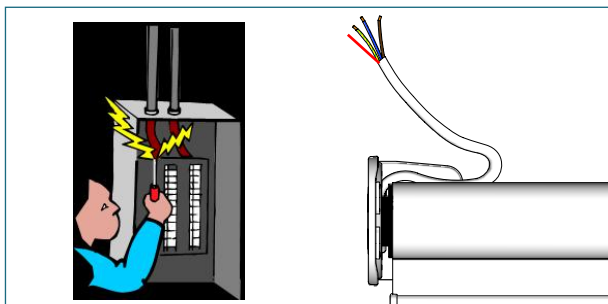
Line up teeth of motor Plate L with the bracket adapter (A). Turn the shade (10°) in the rolling off direction (1) close fastener on the bracket adapter (2). Make sure that limit switches are accessible on motors.



Secure the shade by turning the locking ring furthest away from the bracket.

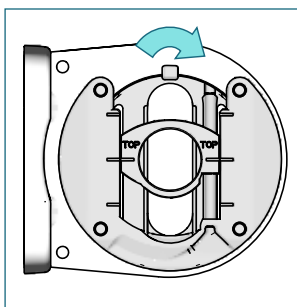
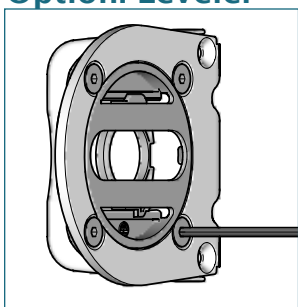


Slide the bracket covers onto the brackets. Make sure that the bracket covers snap onto the brackets.

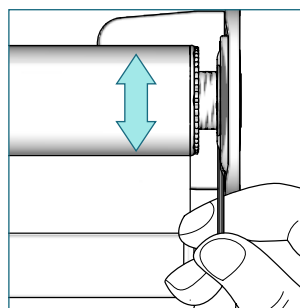
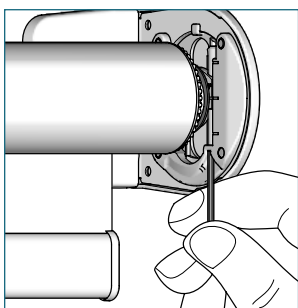


Connect the motor and all controls in accordance with all safety standards.

Option: Leveler

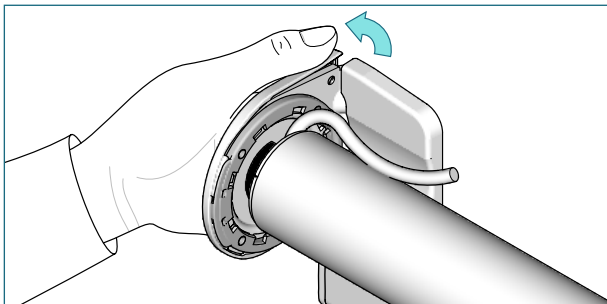


Make sure that the opening for the Allen key is pointing downwards before installing the brackets. Change the orientation by loosening the 4 screws and turning the leveler 90°. Reinstall the screws.

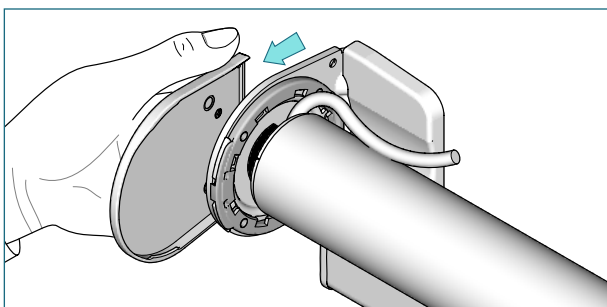


To adjust skewing, put the provided Allen key into the screw of the leveler and turn it left or right to move the shade up and down. Support lifting of large heavy shades with the palm of your hand.

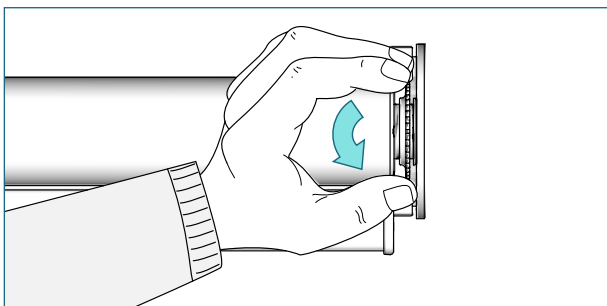
Removal



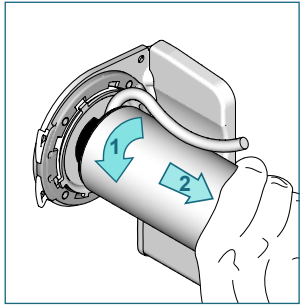
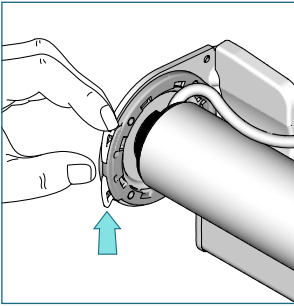
Disconnect power to the motor. Lift the backside of the bracket cover...



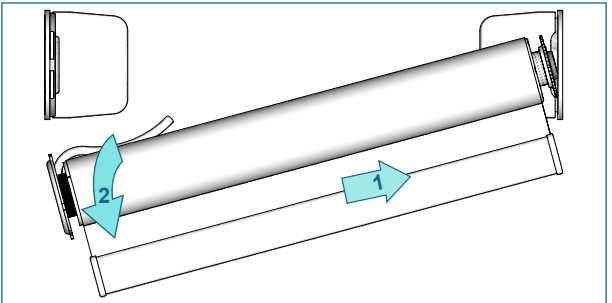
... and slide it towards you.



Unfasten the locking ring.



Open fastener on the bracket adapter. Turn the shade in the roll up direction (1) and then pull Plate L out of the bracket adapter.(2)



Push the shade against the tube bearing plug and slide it out of the bracket.