

RB 500 Roller Shades Specification Catalog



HunterDouglas 
Architectural

Hunter Douglas Architectural RB 500 Roller Shades provide an excellent solution for controlling light and glare. Versatile, distinctive, and cost-effective, our line includes a wide range of fabrics, mounted on high-quality hardware.

KEY FEATURES

- Heavy-duty metal clutch provides smooth and easy lift capabilities.
- Modular operating system accommodates chain, crank and motorized applications.
- Universal spring-loaded end plug mounts shades securely and allows for easy installation.
- Counterbalance weight system provides ease of lifting for large shades.
- Standard clutch system provides universal mounting capabilities (left or right).
- Roller tubes engineered to span large windows.
- Heavy-duty chain with 110-pound breaking strength.
- Aluminum designer installation brackets.

CONTENTS

2	SIZE STANDARDS
3	APPLICATIONS
4	HARDWARE COLORS
5	MANUAL ROLLER SHADES
44	MOTORIZED ROLLER SHADES
67	DEDUCTION CHARTS





Front Cover: U.S. Citizenship and Immigration Services, Irving, TX
Architect: 4240 Architecture
Product: RB 500 Motorized Roller Shades

Above: U.S. Green Building Council, Del Mar, CA
Architect: Thomas Turner Design Build Inc.
Product: RB 500 Manual Roller Shades

SIZE STANDARDS

Size maximums (width x height) and tube sizes.

Manual Roller Shades

	Fabric Weight: Up to 6 oz./yd. ²	6 – 12.875 oz./yd. ²	Over 12.875 oz./yd. ²
STANDARD			
Maximum Size	80" x 120"/98" x 156"***	80" x 120"/98" x 90"***	60" x 120"*
Tube Sizes Available	1.25", 1.5", 2"	1.25", 1.5", 2"	1.25", 1.5", 2"
HEAVY DUTY			
Maximum Size	192" x 240"	170" x 240"	156" x 240"
Tube Sizes Available	2", 2.5"	2", 2.5"	2", 2.5"
DUAL HEAVY DUTY			
Maximum Size	156" x 240"	156" x 240"	156" x 240"
Tube Size Available	2.5"	2.5"	2.5"

*1:1 clutch **1.75:1 clutch

Motorized Roller Shades

	Application: Single Shade	Coupled Shades	Dual Shades	Dual Coupled
WHISPER™ MOTOR HDC 100S & 100RQ				
Maximum Size	156" x 240"	—	156" x 240"	—
Tube Size Available	2.5"	—	2.5"	—
WHISPER MOTOR HDC 200S & 200RQ				
Maximum Size	192" x 240"	240" x 240"	—	192" x 240"
Tube Size Available	2.5"	2.5"	—	2.5"
ST50 STANDARD & ST50 RTS				
Maximum Size	156" x 240"	—	156" x 240"	—
Tube Size Available	2.5"	—	2.5"	—
LS40				
Maximum Size	72" x 144"	—	—	—
Tube Size Available	2"	—	—	—
LT525 STANDARD & LT525 RTS				
Maximum Size	192" x 240"	240" X 240"	—	192" x 240"
Tube Size Available	2.5"	2.5"	—	2.5"

Maximum single panel widths vary with fabric weight: up to 6 oz./yd² = 192"; 6-12.875 oz./yd² = 170"; over 12.875"/yd² = 156".

Maximum sizes also include banded and crank applications.

Maximum roll-up diameter for dual shades is 3.5".

If coupled shades are ordered with fascia, individual fascia are required for widths over 192".

Contact Hunter Douglas Contract Customer Service at 800.727.8953 for maximum dimensions beyond our size standards and for all specialty applications. Refer to our website for minimum size standards and light gap dimensions.

APPLICATIONS

Available applications by shade and motor type.

Manual and Motorized Roller Shades

APPLICATIONS	MANUAL STANDARD	HEAVY DUTY	MOTORIZED HDC 100S & 100RQ	HDC 200S & 200RQ	ST150 STD & RTS	LS40	LT1525 STD & RTS
Clutch	•	•					
Clutch Banded	•	•					
Clutch with Fascia	•	•					
Clutch with Blockout System	•	•					
Clutch with Extruded Pocket	•	•					
Clutch Coupled		•					
Clutch Coupled with Fascia		•					
Clutch Coupled with Blockout System		•					
Crank	•	•					
Crank Banded	•	•					
Crank with Fascia	•	•					
Crank with Blockout System	•	•					
Crank with Extruded Pocket	•	•					
Crank Coupled	•	•					
Crank Coupled with Fascia	•	•					
Crank Coupled with Blockout System	•	•					
Motorized			•	•	•	•	•
Motorized Banded			•	•	•	•	•
Motorized with Fascia			•	•	•	•	•
Motorized with Blockout System			•	•	•	•	•
Motorized with Extruded Pocket			•	•	•	•	•
Motorized Coupled				•			•
Motorized Coupled with Fascia				•			•
Motorized Coupled with Blockout System				•			•
Dual		•	•		•		
Dual with Fascia		•	•		•		
Dual with Blockout System		•	•		•		
Dual Coupled		•		•			•
Dual Coupled with Fascia		•		•			•
Dual Coupled with Blockout System		•		•			•
Cable Guides	•	•	•	•	•	•	•

HARDWARE COLORS

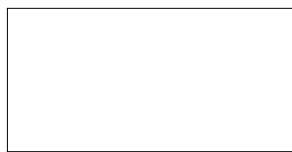
Color codes for component part numbers ending in “xxxx”.

Manual and Motorized Roller Shades

COMPONENT	COLOR NUMBER AND NAME							
	0155 WHITE	0199 WHITE	0864 BRONZE	0952 GRAY	1858 BLACK	4459 MAGNOLIA	7052 ALUMINUM	7060 PEARL CHROME
Standard Installation Bracket		●		●		●		
Standard Decorator Bracket		●		●				●
Standard and Decorator Bracket Cover	●		●	●				
Heavy Duty Installation Bracket		●		●		●		
Heavy Duty Bracket Cover	●		●	●		●		
Motor Bracket		●		●		●		
Motor Bracket Cover	●		●	●		●		
Fascia		●	●	●	●	●*		
Fascia Bracket		●		●	●	●		
Fascia Bracket Cover	●		●	●	●			
Fascia Bracket – Blockout		●		●		●		
Fascia Chain Outlet Set	●		●	●				
Side Channel and Double Channel		●	●	●	●	●		
Channel End Cap	●		●	●	●			
Standard Clutch	●		●	●				
Heavy Duty Clutch	●		●	●				
Crank Drive Shaft	●		●	●				
Roller Tube		●						
Tube Plugs	●		●	●				

*Anodized Aluminum

For Pocket and Pocket End Plate information, refer to the specification drawings on pages 13, 26, 33, 49 and 56.



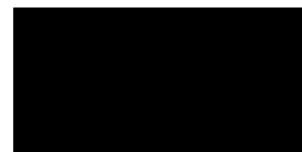
0155/0199 WHITE



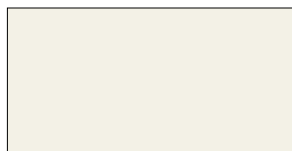
0864 BRONZE



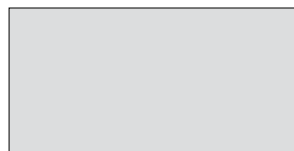
0952 GRAY



1858 BLACK



4459 MAGNOLIA



7052 ALUMINUM



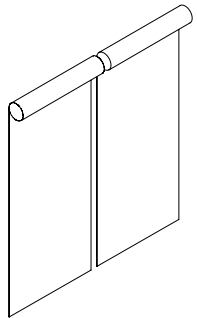
7060 PEARL CHROME

Manual Roller Shades

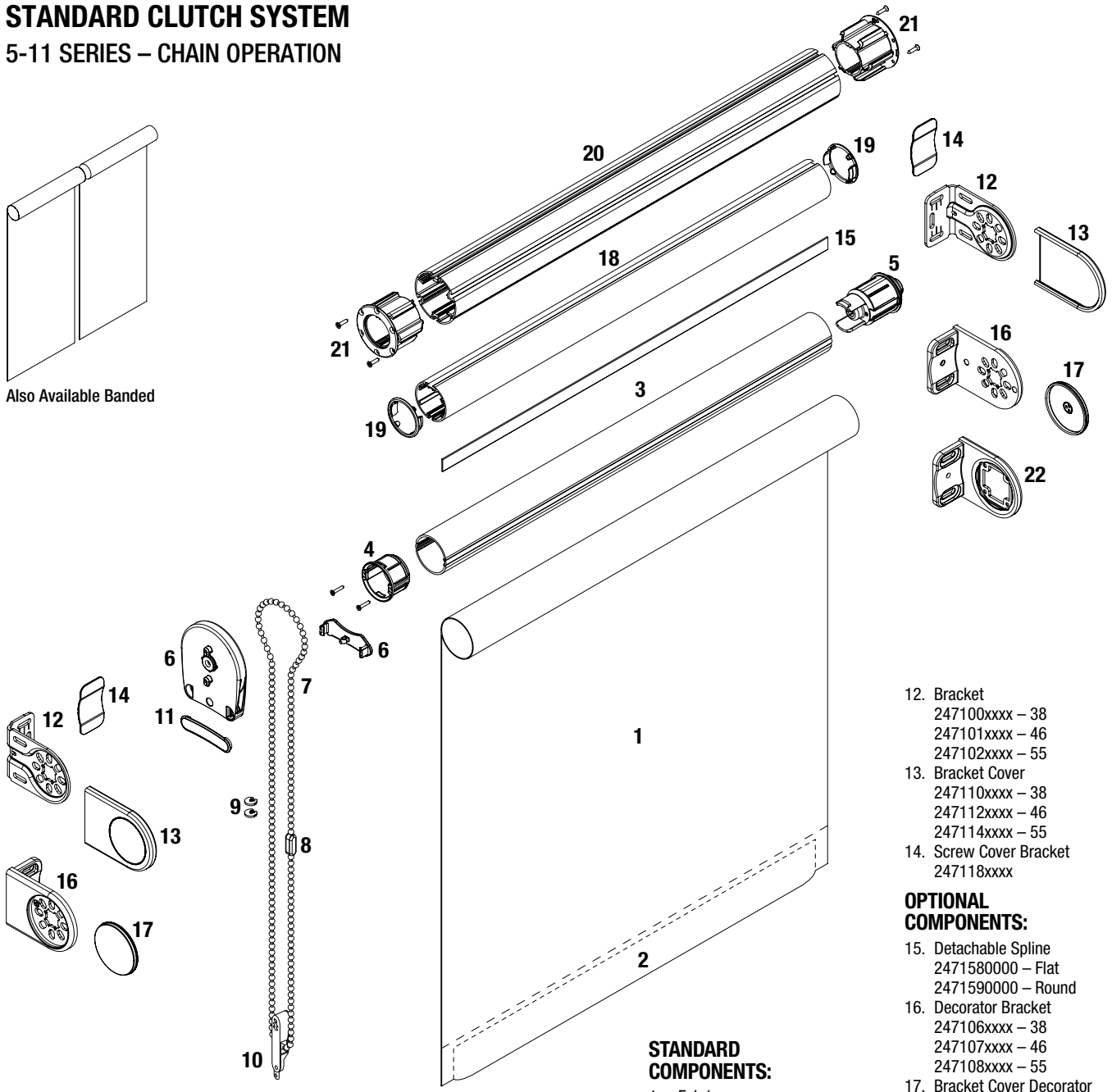
MANUAL ROLLER SHADES



STANDARD CLUTCH SYSTEM
5-11 SERIES – CHAIN OPERATION



Also Available Banded



STANDARD COMPONENTS:

- 1. Fabric
- 2. Sealed Hembar
- 3. Tube 1.125" Tape 5m
247000xxxx
- 4. Tube Plug Control Set 1.125"
247122xxxx
- 5. Tube Bearing Plug 1.125"
247120xxxx
- 6. Control Set 1.125" Chain
247124xxxx – 1.75:1
247125xxxx – 1:1x2
- 7. Chain .175" Stainless Steel
2474180025
- 8. Chain Connector
2474180026
- 9. Bead Chain Stop
2474180027
- 10. Clear Plastic Chain Tensioner
RC445401
- 11. Cover Control Set 1.125"
247127xxxx

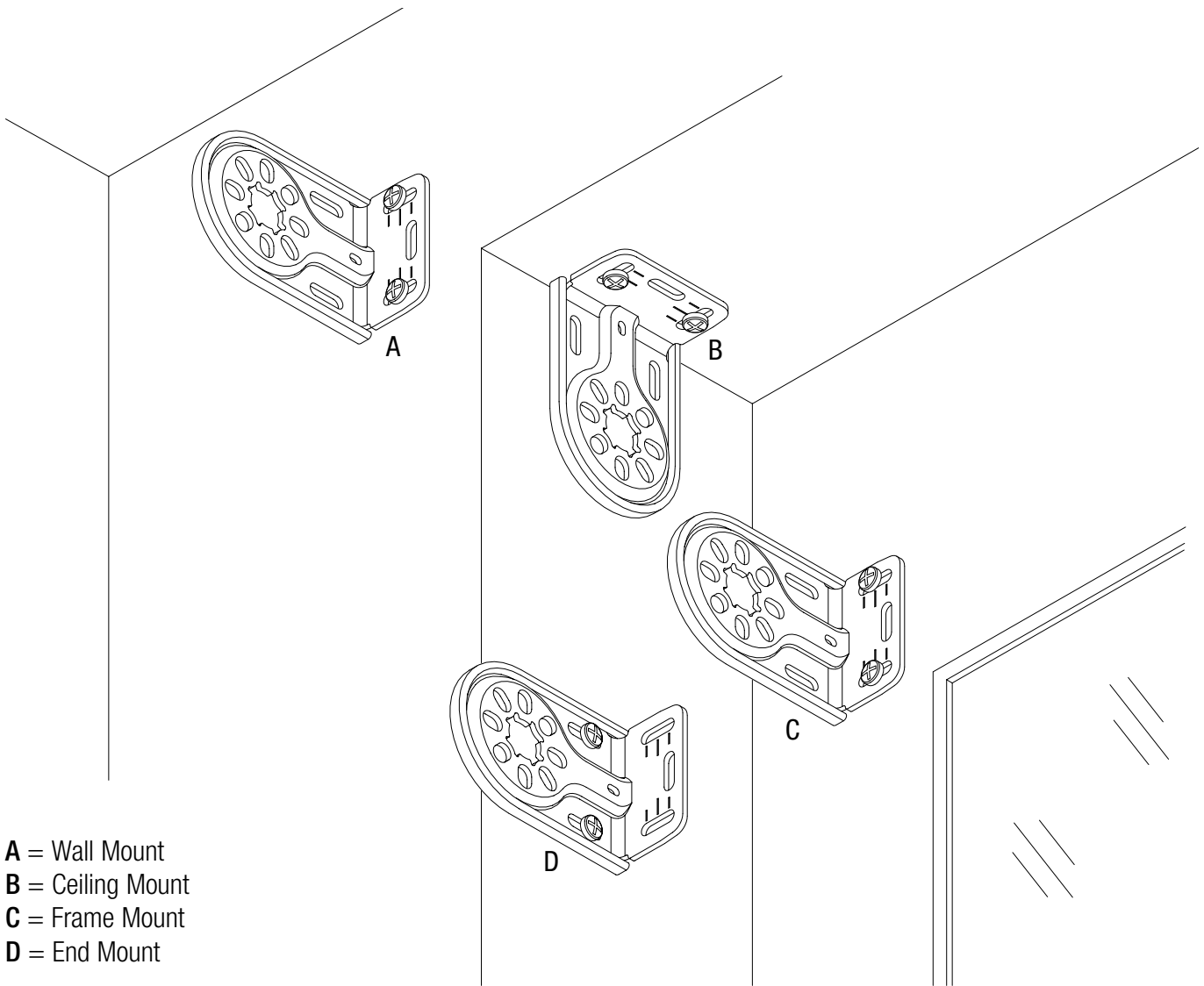
- 12. Bracket
247100xxxx – 38
247101xxxx – 46
247102xxxx – 55
- 13. Bracket Cover
247110xxxx – 38
247112xxxx – 46
247114xxxx – 55
- 14. Screw Cover Bracket
247118xxxx

OPTIONAL COMPONENTS:

- 15. Detachable Spline
2471580000 – Flat
2471590000 – Round
- 16. Decorator Bracket
247106xxxx – 38
247107xxxx – 46
247108xxxx – 55
- 17. Bracket Cover Decorator
247116xxxx
- 18. Tube 1.5"
247001xxxx – Tape 5m
247002xxxx – Spline 5m
- 19. Tube Adapter 1.5"
247121xxxx
- 20. Tube 2.0"
247060xxxx – Tape 5m
247061xxxx – Spline 5m
- 21. Tube Adapter 2.0"
247128xxxx
- 22. Leveling Bracket Decorator
(also available as Standard Bracket)
247190xxxx – 38
247191xxxx – 46
247192xxxx – 55

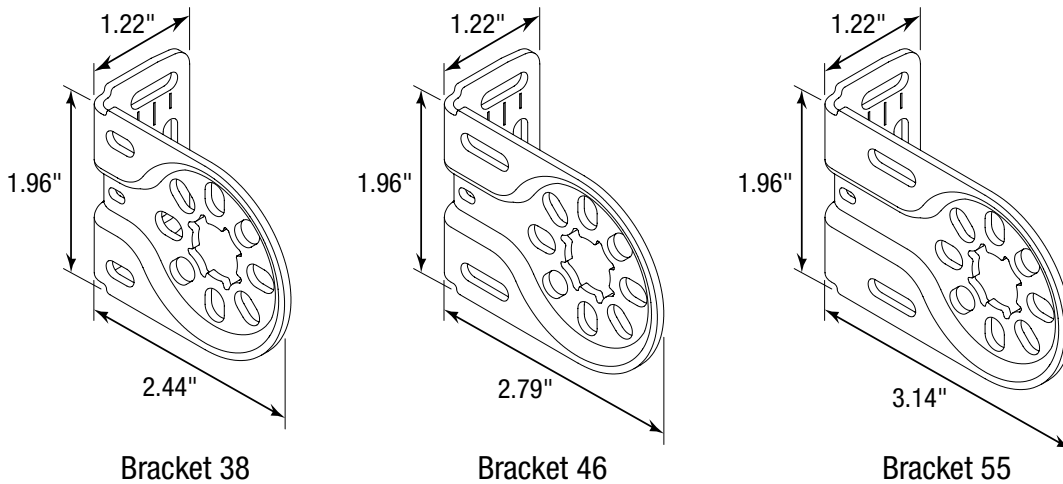
xxxx = 4 digit color code.
See Color Chart on page 4
for list of color codes.

STANDARD BRACKET MOUNTING LOCATIONS

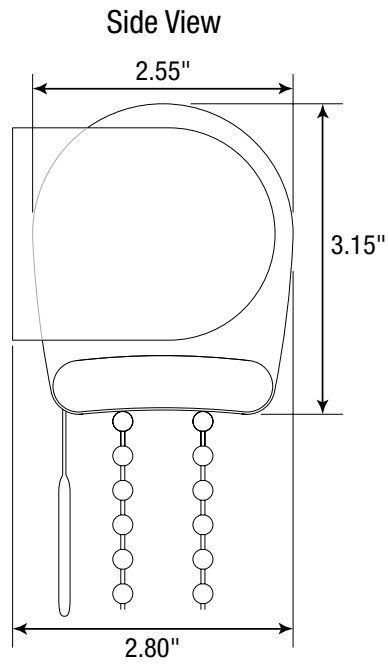
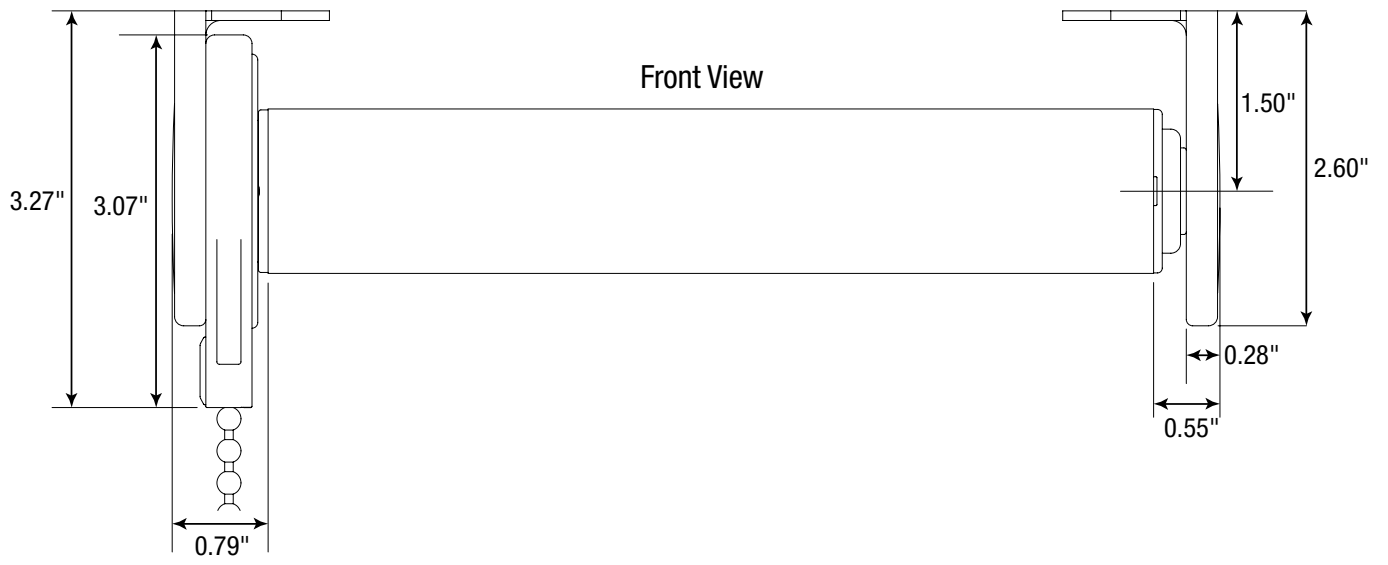
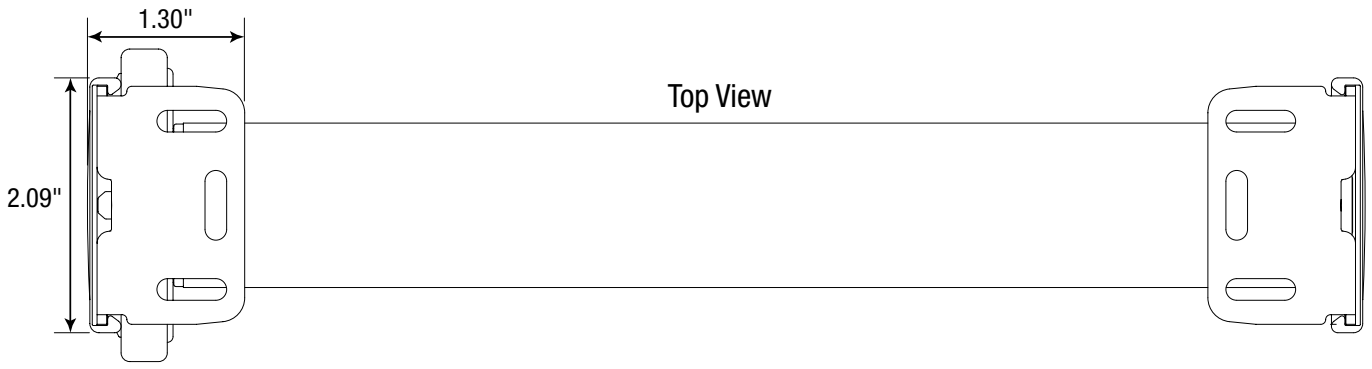


- A = Wall Mount
- B = Ceiling Mount
- C = Frame Mount
- D = End Mount

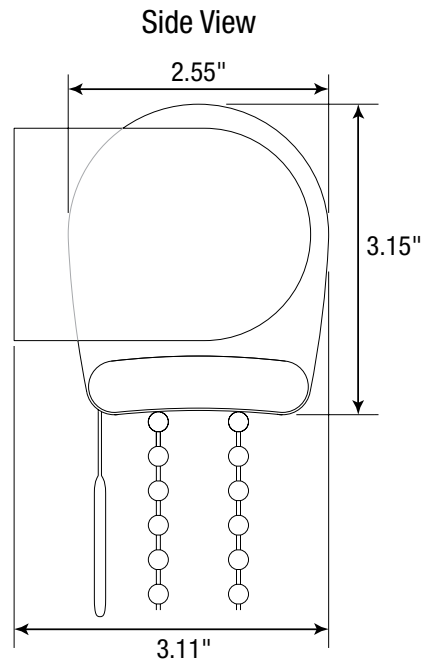
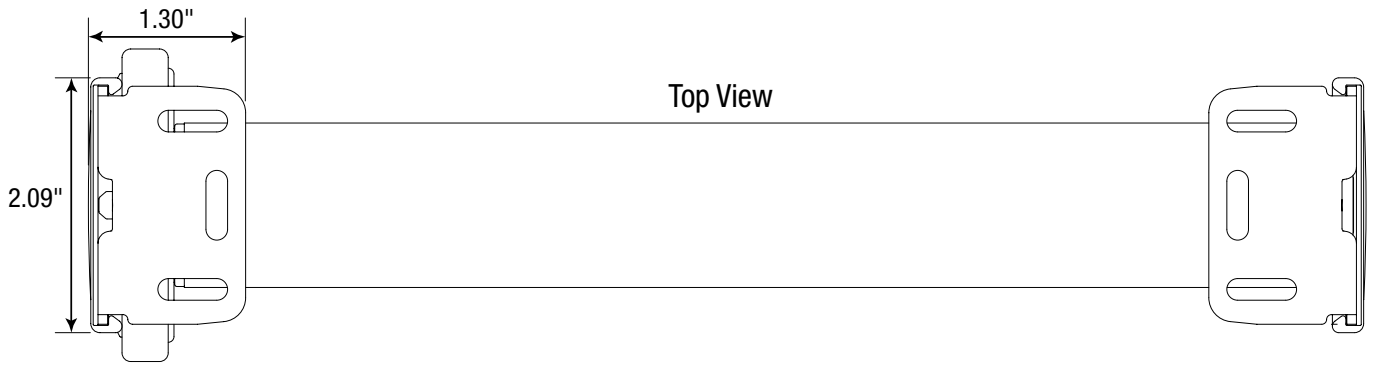
STANDARD BRACKET DIMENSIONS



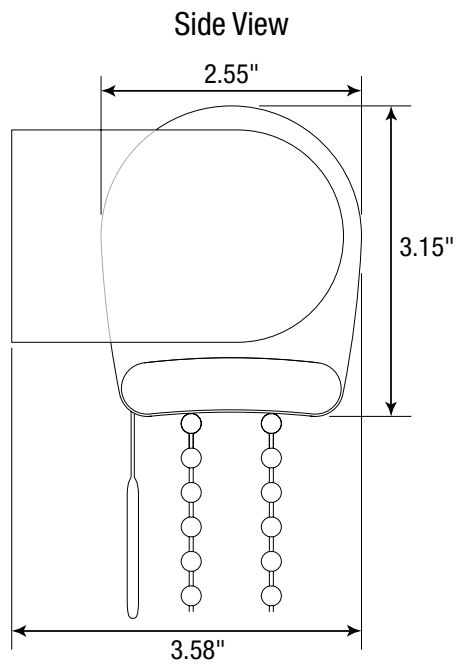
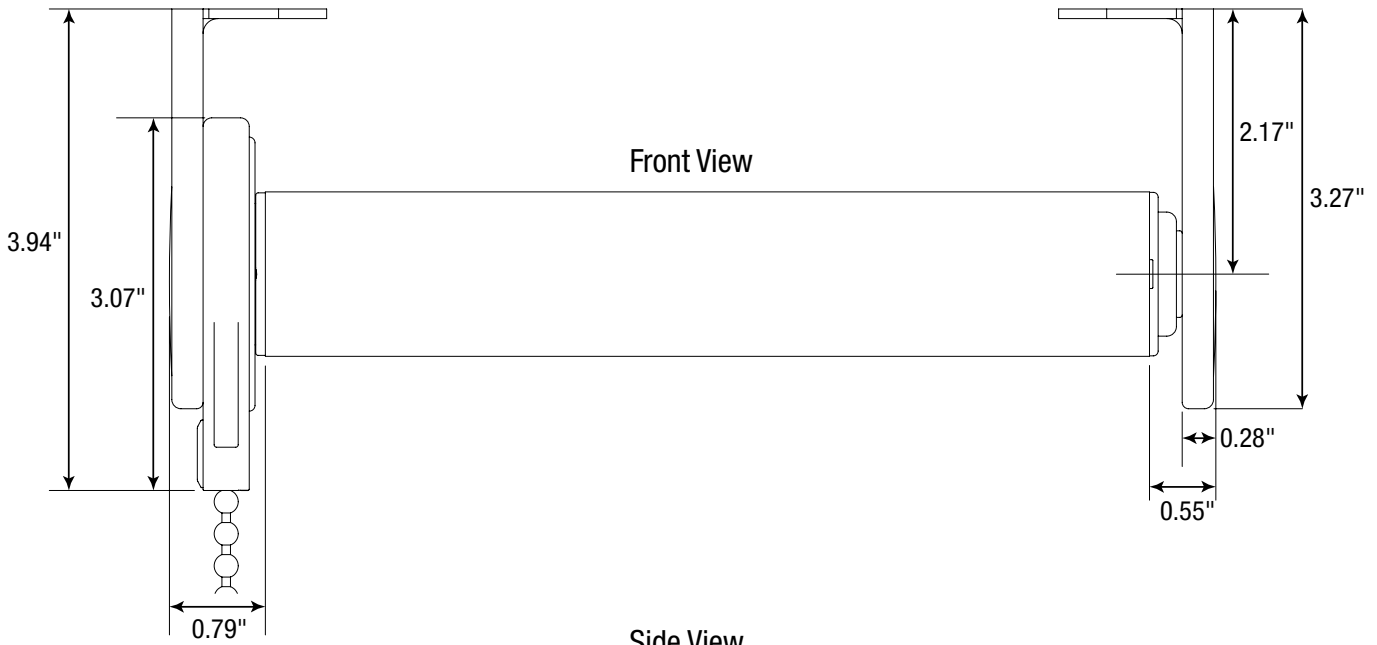
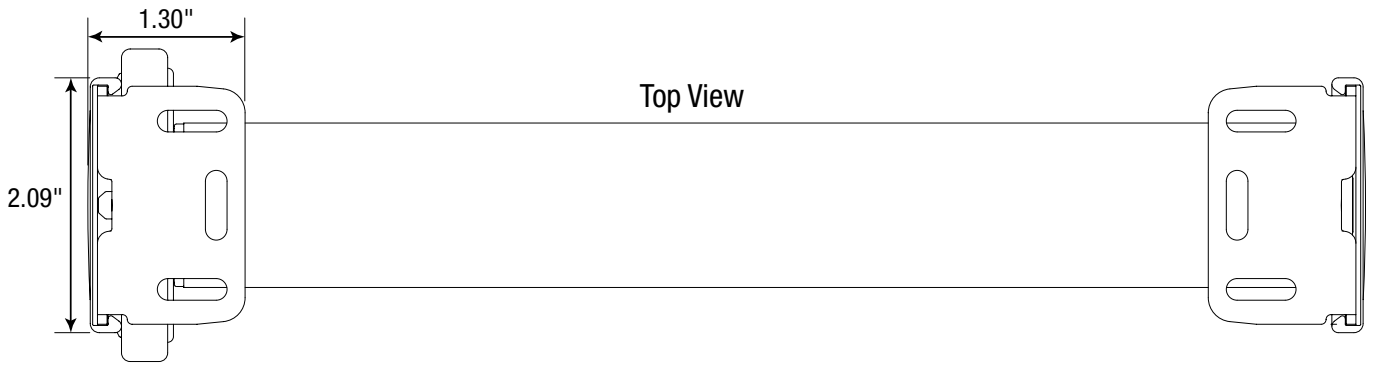
BRACKET 38 SHADE MOUNTING



BRACKET 46 SHADE MOUNTING

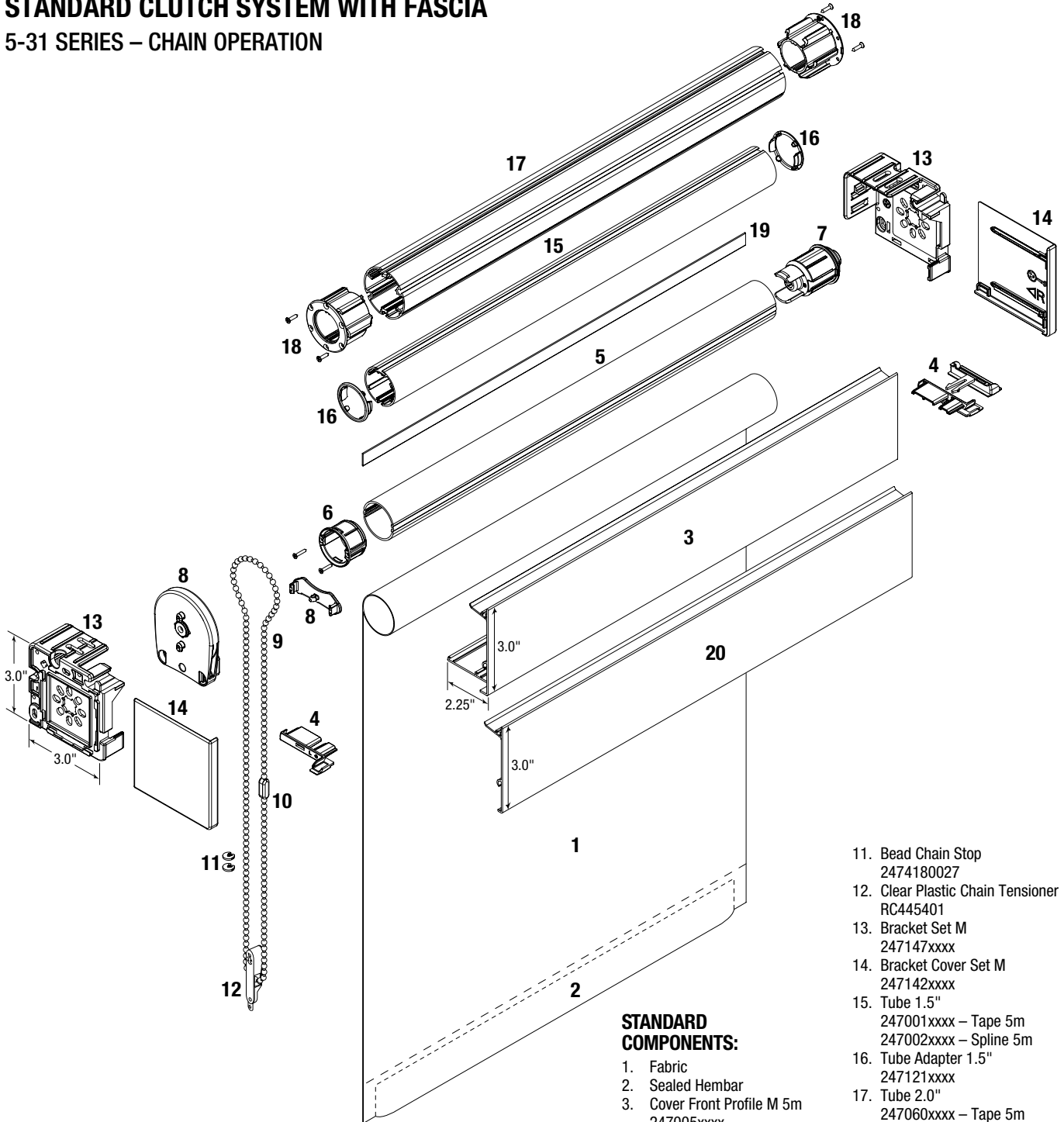


BRACKET 55 SHADE MOUNTING



STANDARD CLUTCH SYSTEM WITH FASCIA

5-31 SERIES – CHAIN OPERATION



Note: End Mount Installations will not receive a Bracket Cover Set and must be specified when ordering.

STANDARD COMPONENTS:

1. Fabric
2. Sealed Hembar
3. Cover Front Profile M 5m
247005xxxx
4. Chain Outlet Set M
247146xxxx
5. Tube 1.125" Tape 5m
247000xxxx
6. Tube Plug Control Set 1.125"
247122xxxx
7. Tube Bearing Plug 1.125"
247120xxxx
8. Control Set 1.125" Chain
247124xxxx – 1.75:1
247125xxxx – 1:1x2
9. Chain .175" Stainless Steel
2474180025
10. Chain Connector
2474180026

11. Bead Chain Stop
2474180027
12. Clear Plastic Chain Tensioner
RC445401
13. Bracket Set M
247147xxxx
14. Bracket Cover Set M
247142xxxx
15. Tube 1.5"
247001xxxx – Tape 5m
247002xxxx – Spline 5m
16. Tube Adapter 1.5"
247121xxxx
17. Tube 2.0"
247060xxxx – Tape 5m
247061xxxx – Spline 5m
18. Tube Adapter 2.0"
247128xxxx

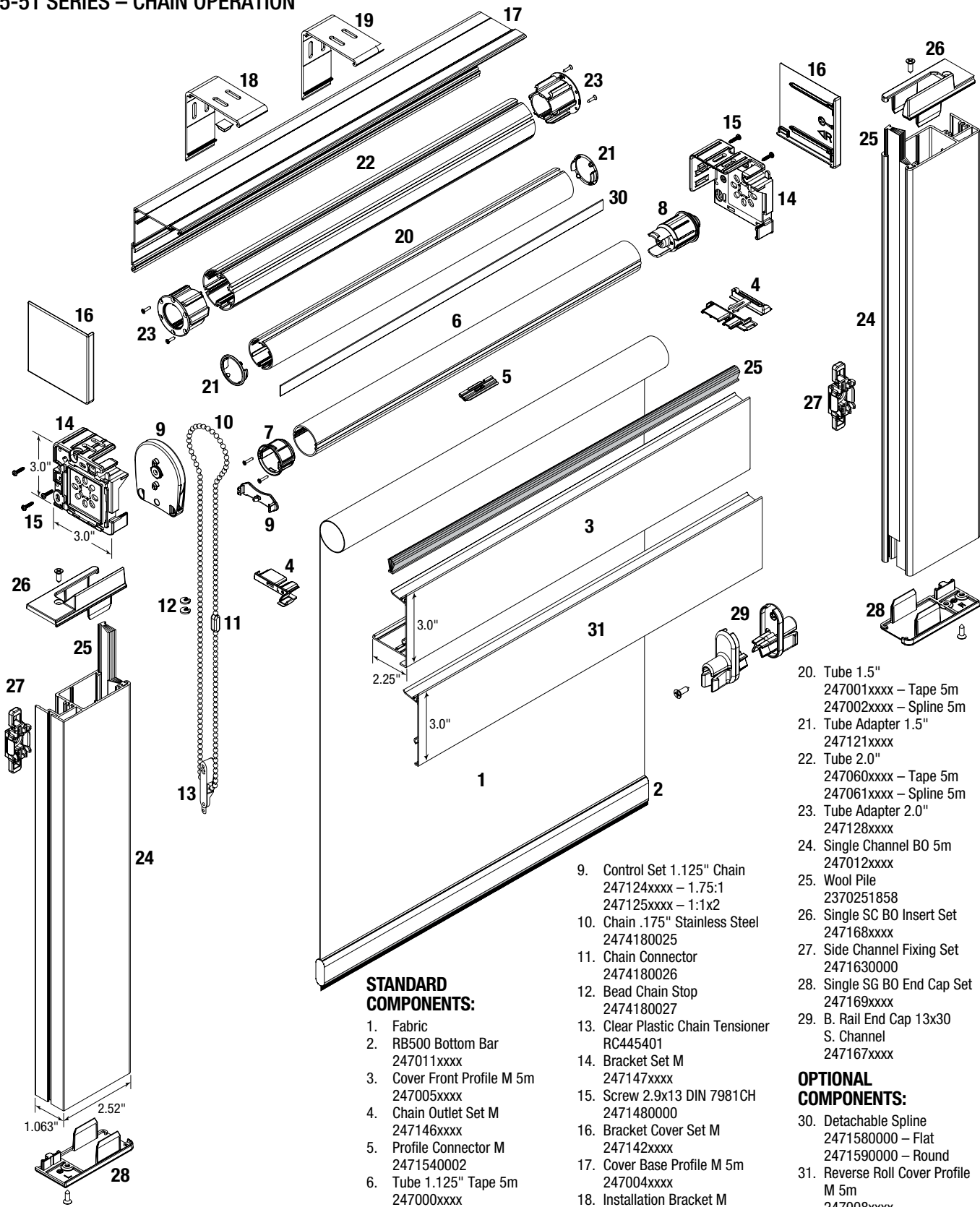
OPTIONAL COMPONENTS:

19. Detachable Spline
2471580000 – Flat
2471590000 – Round
20. Reverse Roll Cover Profile
M 5m
247008xxxx

xxxx = 4 digit color code.
See Color Chart on page 4
for list of color codes.

STANDARD CLUTCH WITH BLOCKOUT SYSTEM

5-51 SERIES – CHAIN OPERATION



STANDARD COMPONENTS:

- 1. Fabric
- 2. RB500 Bottom Bar
247011xxxx
- 3. Cover Front Profile M 5m
247005xxxx
- 4. Chain Outlet Set M
247146xxxx
- 5. Profile Connector M
2471540002
- 6. Tube 1.125" Tape 5m
247000xxxx
- 7. Tube Plug Control Set 1.125"
247122xxxx
- 8. Tube Bearing Plug 1.125"
247120xxx
- 9. Control Set 1.125" Chain
247124xxxx – 1.75:1
247125xxxx – 1:1x2
- 10. Chain .175" Stainless Steel
2474180025
- 11. Chain Connector
2474180026
- 12. Bead Chain Stop
2474180027
- 13. Clear Plastic Chain Tensioner
RC445401
- 14. Bracket Set M
247147xxxx
- 15. Screw 2.9x13 DIN 7981CH
2471480000
- 16. Bracket Cover Set M
247142xxxx
- 17. Cover Base Profile M 5m
247004xxxx
- 18. Installation Bracket M
Unfinished
2471760000
- 19. Installation Bracket M
247140xxxx
- 20. Tube 1.5"
247001xxxx – Tape 5m
247002xxxx – Spline 5m
- 21. Tube Adapter 1.5"
247121xxxx
- 22. Tube 2.0"
247060xxxx – Tape 5m
247061xxxx – Spline 5m
- 23. Tube Adapter 2.0"
247128xxxx
- 24. Single Channel BO 5m
247012xxxx
- 25. Wool Pile
2370251858
- 26. Single SC BO Insert Set
247168xxxx
- 27. Side Channel Fixing Set
2471630000
- 28. Single SG BO End Cap Set
247169xxxx
- 29. B. Rail End Cap 13x30
S. Channel
247167xxxx
- 30. Detachable Spline
2471580000 – Flat
2471590000 – Round
- 31. Reverse Roll Cover Profile
M 5m
247008xxxx

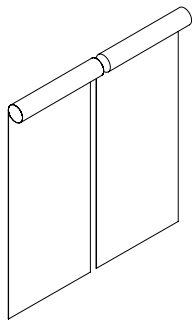
OPTIONAL COMPONENTS:

- 30. Detachable Spline
2471580000 – Flat
2471590000 – Round
 - 31. Reverse Roll Cover Profile
M 5m
247008xxxx
- xxxx = 4 digit color code.
See Color Chart on page 4
for list of color codes.

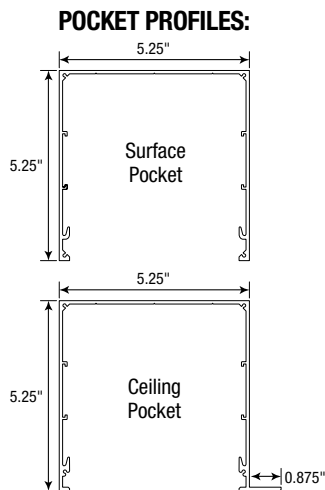
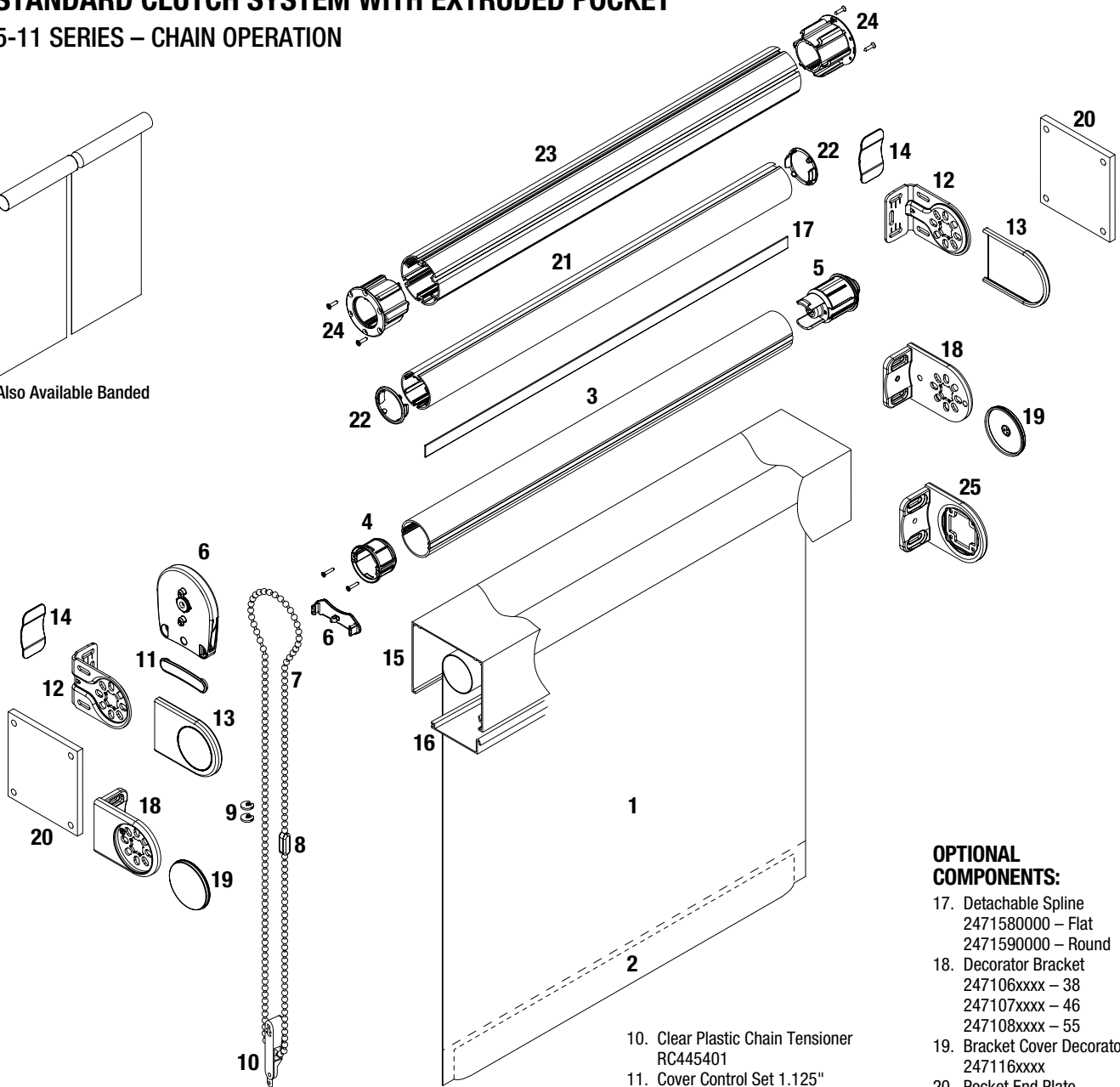
Note: End Mount Installations will not receive a Bracket Cover Set and must be specified when ordering.

STANDARD CLUTCH SYSTEM WITH EXTRUDED POCKET

5-11 SERIES – CHAIN OPERATION



Also Available Banded



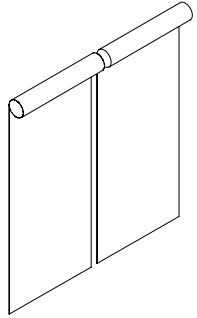
STANDARD COMPONENTS:

1. Fabric
2. Sealed Hembar
3. Tube 1.125" Tape 5m
247000xxxx
4. Tube Plug Control Set 1.125"
247122xxxx
5. Tube Bearing Plug 1.125"
247120xxxx
6. Control Set 1.125"
247124xxxx – 1.75:1
247125xxxx – 1:1x2
7. Chain .175" Stainless Steel
2474180025
8. Chain Connector
2474180026
9. Bead Chain Stop
2474180027
10. Clear Plastic Chain Tensioner
RC445401
11. Cover Control Set 1.125"
247127xxxx
12. Bracket
247100xxxx – 38
247101xxxx – 46
247102xxxx – 55
247114xxxx – 55
13. Bracket Cover
247110xxxx – 38
247112xxxx – 46
247118xxxx
14. Screw Cover Bracket
247118xxxx
15. 5.25" Extruded Pocket
RC502000 – Ceiling Pocket Anodized
RC502675 – Ceiling Pocket White
RC503000 – Surface Pocket Anodized
RC503675 – Surface Pocket White
16. 2" Pocket Bottom Closure
RC500000 – Anodized
RC500675 – White
3" Pocket Bottom Closure
RC501000 – Anodized
RC501675 – White

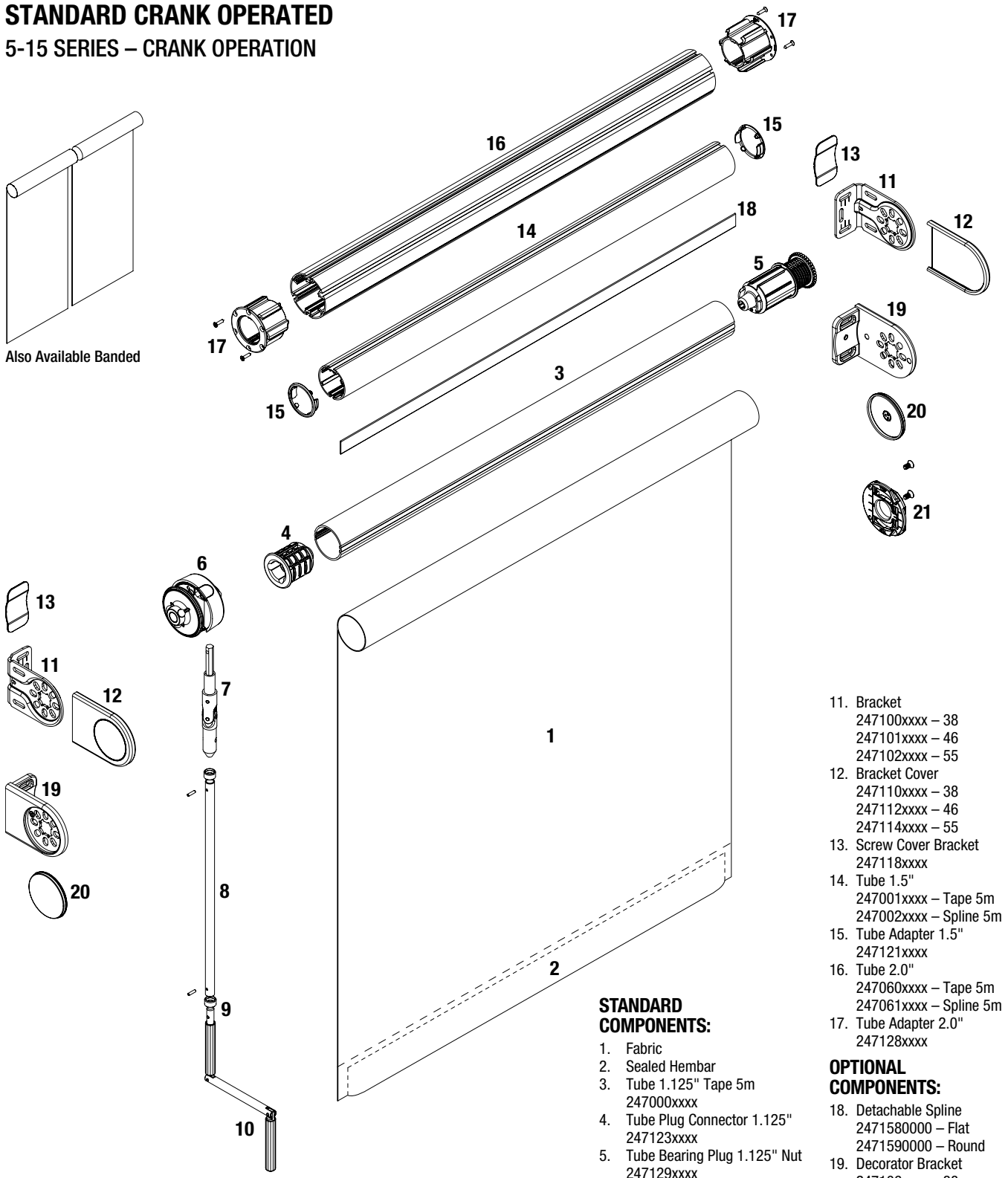
OPTIONAL COMPONENTS:

17. Detachable Spline
2471580000 – Flat
2471590000 – Round
 18. Decorator Bracket
247106xxxx – 38
247107xxxx – 46
247108xxxx – 55
 19. Bracket Cover Decorator
247116xxxx
 20. Pocket End Plate
RC506675 – White
RC506000 – Anodized
 21. Tube 1.5"
247001xxxx – Tape 5m
247002xxxx – Spline 5m
 22. Tube Adapter 1.5"
247121xxxx
 23. Tube 2.0"
247060xxxx – Tape 5m
247061xxxx – Spline 5m
 24. Tube Adapter 2.0"
247128xxxx
 25. Leveling Bracket Decorator
(also available as Standard Bracket)
247190xxxx – 38
247191xxxx – 46
247192xxxx – 55
- xxxx = 4 digit color code.
See Color Chart on page 4
for list of color codes.

STANDARD CRANK OPERATED
5-15 SERIES – CRANK OPERATION



Also Available Banded



STANDARD COMPONENTS:

- 1. Fabric
- 2. Sealed Hembar
- 3. Tube 1.125" Tape 5m
247000xxxx
- 4. Tube Plug Connector 1.125"
247123xxxx
- 5. Tube Bearing Plug 1.125" Nut
247129xxxx
- 6. Crank Drive M
247156xxxx
- 7. Crank Joint M
2471800000
- 8. Tube 0.59"
2971807010
- 9. Crank Rod Collar + pin OB
1801130000
- 10. Crank 0.55" OB
1801010000

- 11. Bracket
247100xxxx – 38
247101xxxx – 46
247102xxxx – 55
- 12. Bracket Cover
247110xxxx – 38
247112xxxx – 46
247114xxxx – 55
- 13. Screw Cover Bracket
247118xxxx
- 14. Tube 1.5"
247001xxxx – Tape 5m
247002xxxx – Spline 5m
- 15. Tube Adapter 1.5"
247121xxxx
- 16. Tube 2.0"
247060xxxx – Tape 5m
247061xxxx – Spline 5m
- 17. Tube Adapter 2.0"
247128xxxx

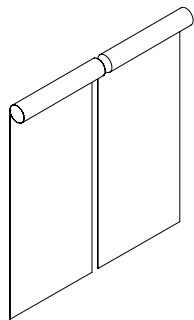
OPTIONAL COMPONENTS:

- 18. Detachable Spline
2471580000 – Flat
2471590000 – Round
- 19. Decorator Bracket
247106xxxx – 38
247107xxxx – 46
247108xxxx – 55
- 20. Bracket Cover Decorator
247116xxxx
- 21. Integrated Leveler 31
2471967060

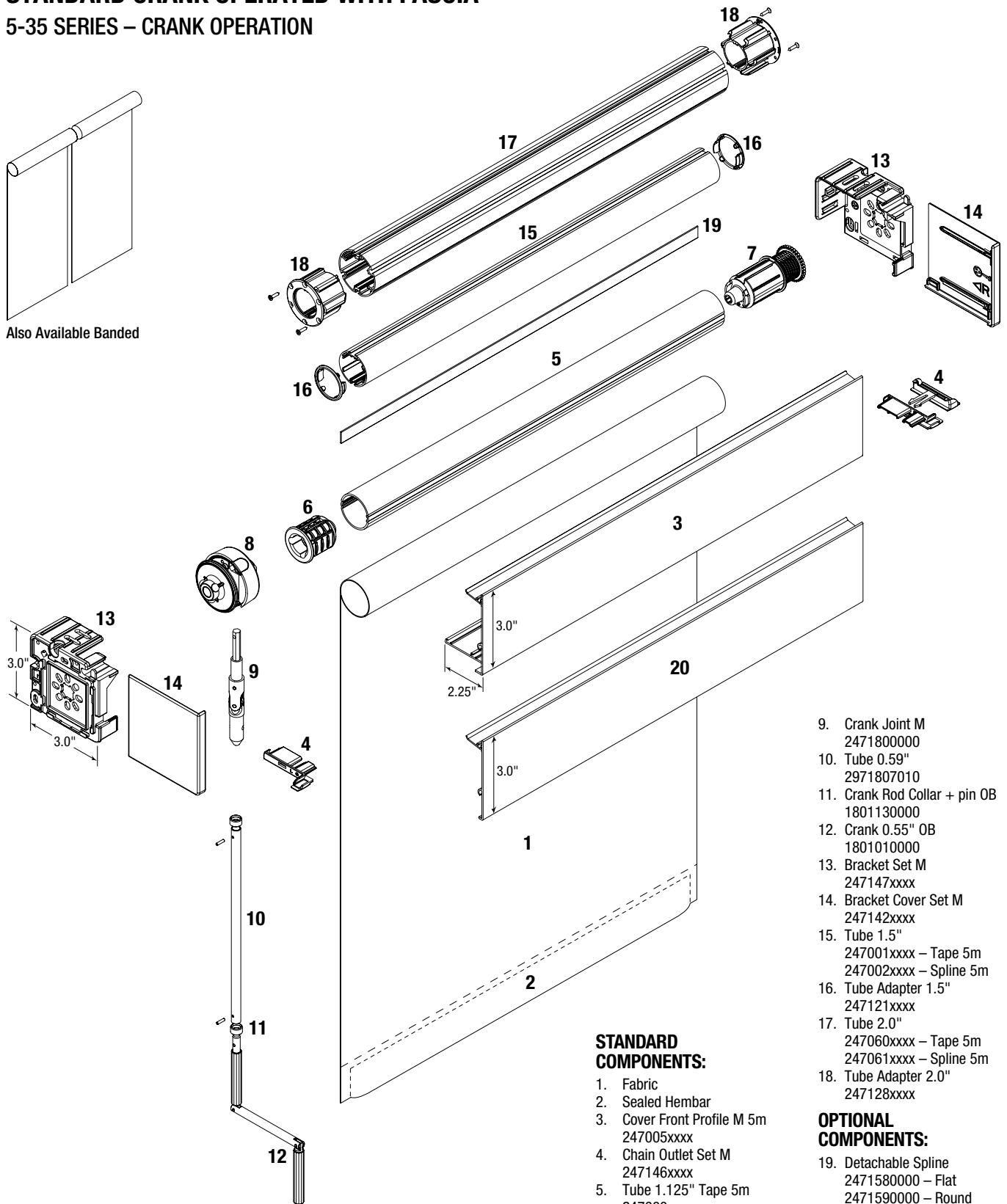
xxxx = 4 digit color code.
 See Color Chart on page 4
 for list of color codes.

STANDARD CRANK OPERATED WITH FASCIA

5-35 SERIES – CRANK OPERATION



Also Available Banded



Note: End Mount Installations will not receive a Bracket Cover Set and must be specified when ordering.

STANDARD COMPONENTS:

1. Fabric
2. Sealed Hembar
247005xxxx
3. Cover Front Profile M 5m
247005xxxx
4. Chain Outlet Set M
247146xxxx
5. Tube 1.125" Tape 5m
247000xxxx
6. Tube Plug Connector 1.125"
247123xxxx
7. Tube Bearing Plug 1.125" Nut
247129xxxx
8. Crank Drive M
247156xxxx

9. Crank Joint M
2471800000
10. Tube 0.59"
2971807010
11. Crank Rod Collar + pin OB
1801130000
12. Crank 0.55" OB
1801010000
13. Bracket Set M
247147xxxx
14. Bracket Cover Set M
247142xxxx
15. Tube 1.5"
247001xxxx – Tape 5m
247002xxxx – Spline 5m
16. Tube Adapter 1.5"
247121xxxx
17. Tube 2.0"
247060xxxx – Tape 5m
247061xxxx – Spline 5m
18. Tube Adapter 2.0"
247128xxxx

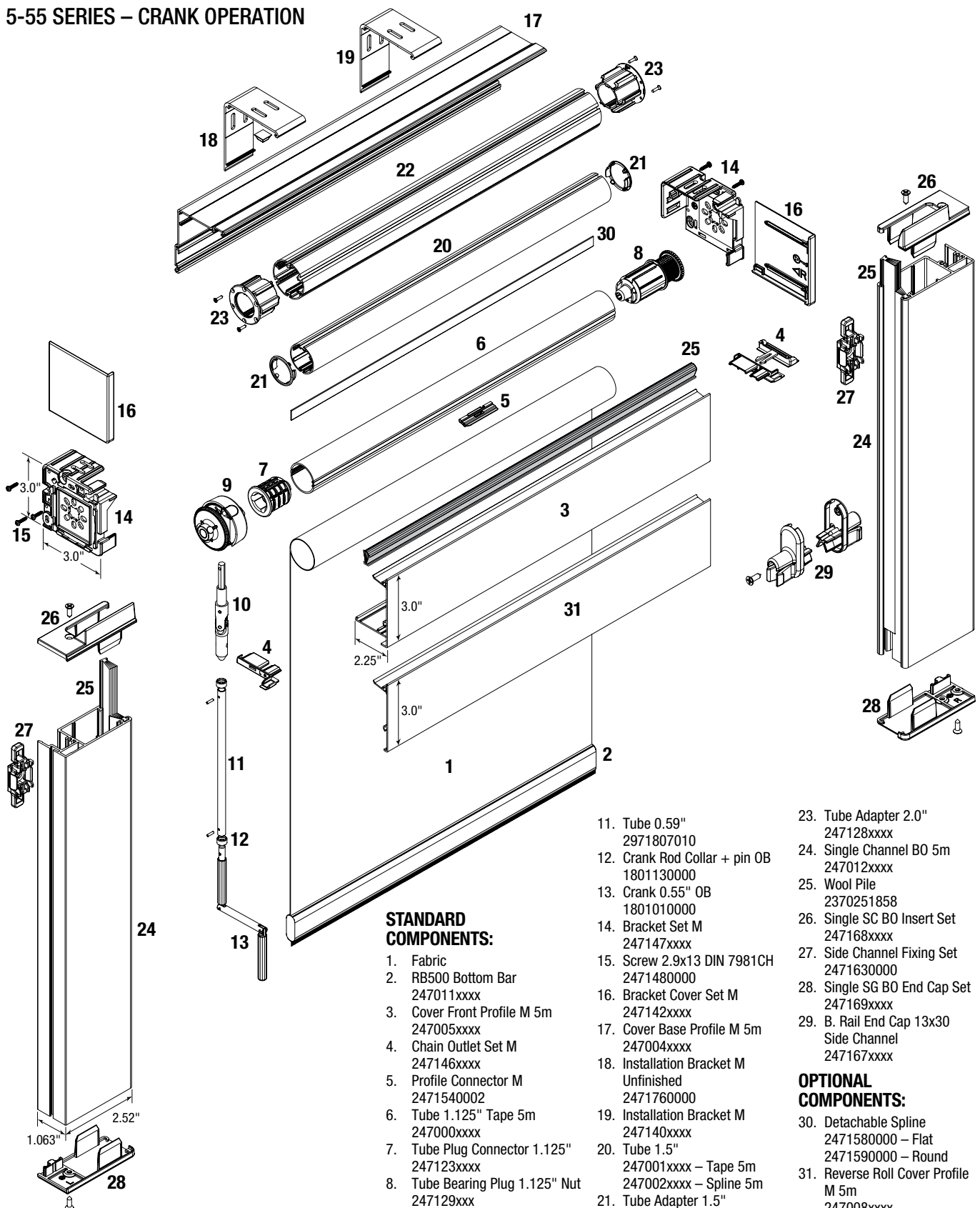
OPTIONAL COMPONENTS:

19. Detachable Spline
2471580000 – Flat
2471590000 – Round
20. Reverse Roll Cover Profile
M 5m
247008xxxx

xxxx = 4 digit color code.
See Color Chart on page 4
for list of color codes.

STANDARD CRANK OPERATED WITH BLOCKOUT SYSTEM

5-55 SERIES – CRANK OPERATION



STANDARD COMPONENTS:

- | | | |
|---|---|---|
| <ul style="list-style-type: none"> 1. Fabric 2. RB500 Bottom Bar
247011xxxx 3. Cover Front Profile M 5m
247005xxxx 4. Chain Outlet Set M
247146xxxx 5. Profile Connector M
2471540002 6. Tube 1.125" Tape 5m
247000xxxx 7. Tube Plug Connector 1.125"
247123xxxx 8. Tube Bearing Plug 1.125" Nut
247129xxx 9. Crank Drive M
247156xxxx 10. Crank Joint M
2471800000 | <ul style="list-style-type: none"> 11. Tube 0.59"
2971807010 12. Crank Rod Collar + pin OB
1801130000 13. Crank 0.55" OB
1801010000 14. Bracket Set M
247147xxxx 15. Screw 2.9x13 DIN 7981CH
2471480000 16. Bracket Cover Set M
247142xxxx 17. Cover Base Profile M 5m
247004xxxx 18. Installation Bracket M
Unfinished
2471760000 19. Installation Bracket M
247140xxxx 20. Tube 1.5"
247001xxxx – Tape 5m
247002xxxx – Spline 5m 21. Tube Adapter 1.5"
247121xxxx 22. Tube 2.0"
247060xxxx – Tape 5m
247061xxxx – Spline 5m | <ul style="list-style-type: none"> 23. Tube Adapter 2.0"
247128xxxx 24. Single Channel BO 5m
247012xxxx 25. Wool Pile
2370251858 26. Single SC BO Insert Set
247168xxxx 27. Side Channel Fixing Set
2471630000 28. Single SG BO End Cap Set
247169xxxx 29. B. Rail End Cap 13x30
Side Channel
247167xxxx |
|---|---|---|

OPTIONAL COMPONENTS:

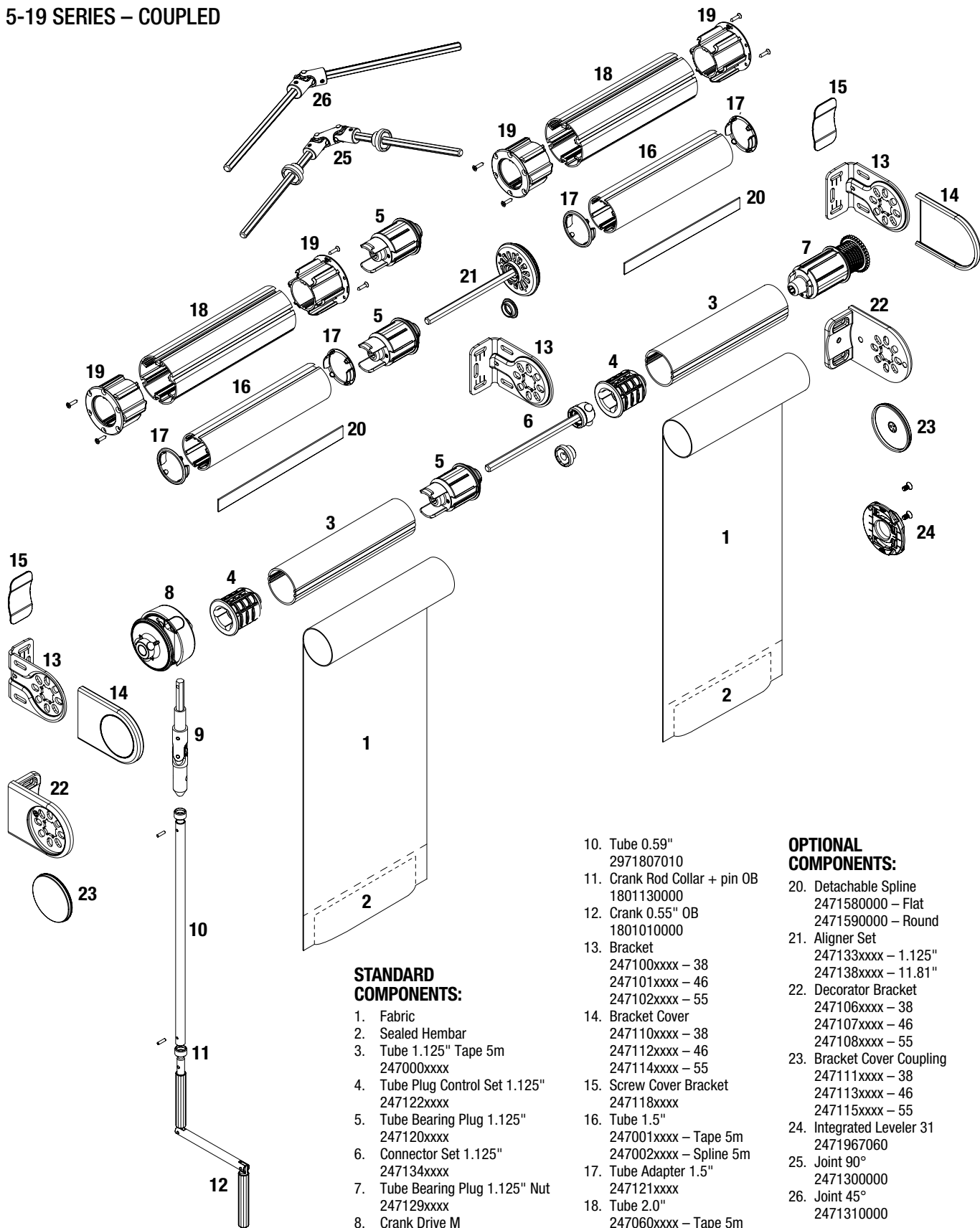
- 30. Detachable Spline
2471580000 – Flat
2471590000 – Round
- 31. Reverse Roll Cover Profile
M 5m
247008xxxx

Note: End Mount Installations will not receive a Bracket Cover Set and must be specified when ordering.

xxxx = 4 digit color code. See Color Chart on page 4 for list of color codes.

STANDARD CRANK OPERATED COUPLED SHADE

5-19 SERIES – COUPLED



STANDARD COMPONENTS:

1. Fabric
2. Sealed Hembar
3. Tube 1.125" Tape 5m
247000xxxx
4. Tube Plug Control Set 1.125"
247122xxxx
5. Tube Bearing Plug 1.125"
247120xxxx
6. Connector Set 1.125"
247134xxxx
7. Tube Bearing Plug 1.125" Nut
247129xxxx
8. Crank Drive M
247156xxxx
9. Crank Joint M
2471800000

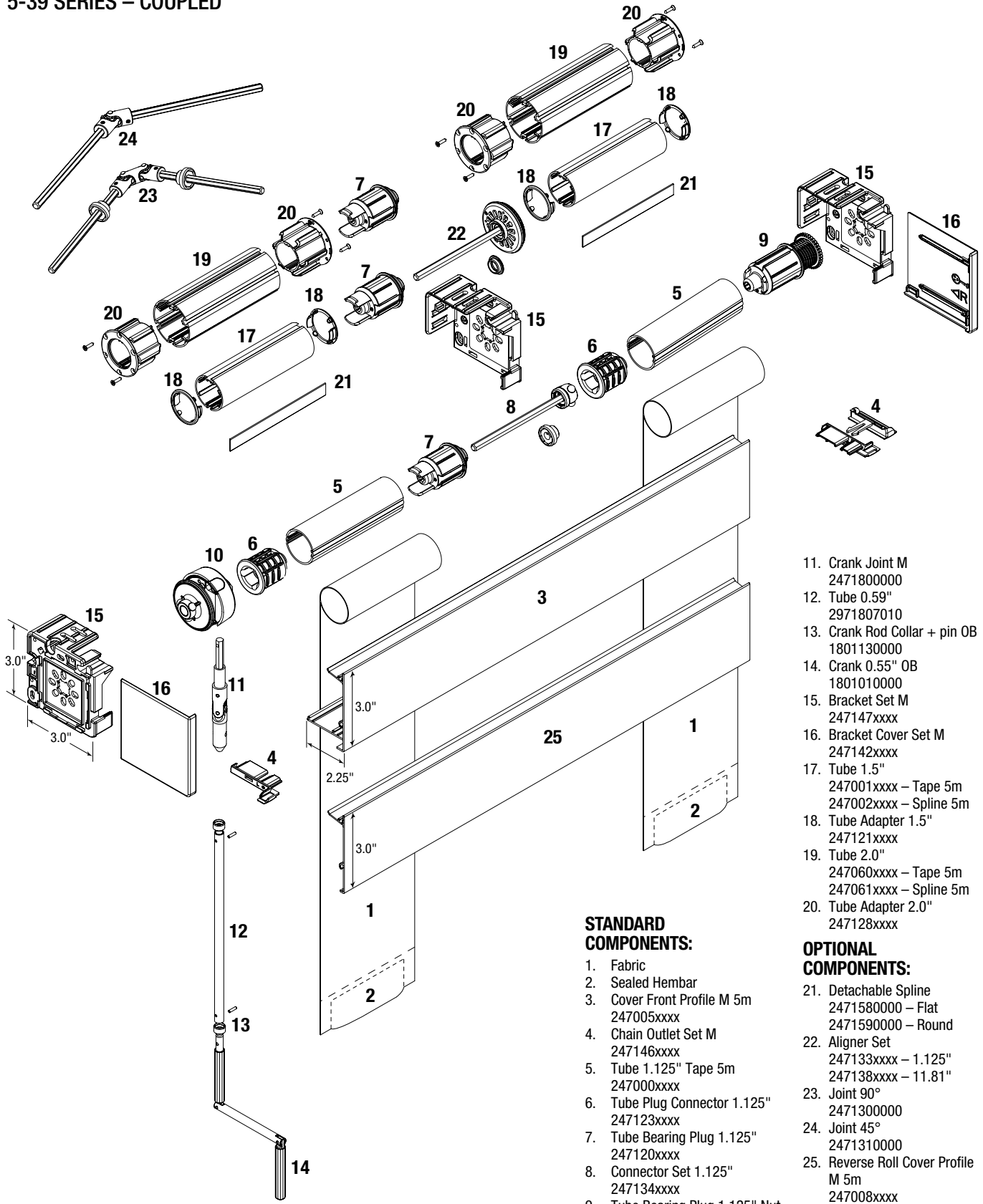
10. Tube 0.59"
2971807010
11. Crank Rod Collar + pin OB
1801130000
12. Crank 0.55" OB
1801010000
13. Bracket
247100xxxx – 38
247101xxxx – 46
247102xxxx – 55
14. Bracket Cover
247110xxxx – 38
247112xxxx – 46
247114xxxx – 55
15. Screw Cover Bracket
247118xxxx
16. Tube 1.5"
247001xxxx – Tape 5m
247002xxxx – Spline 5m
17. Tube Adapter 1.5"
247121xxxx
18. Tube 2.0"
247060xxxx – Tape 5m
247061xxxx – Spline 5m
19. Tube Adapter 2.0"
247128xxxx

OPTIONAL COMPONENTS:

20. Detachable Spline
2471580000 – Flat
2471590000 – Round
21. Aligner Set
247133xxxx – 1.125"
247138xxxx – 11.81"
22. Decorator Bracket
247106xxxx – 38
247107xxxx – 46
247108xxxx – 55
23. Bracket Cover Coupling
247111xxxx – 38
247113xxxx – 46
247115xxxx – 55
24. Integrated Leveler 31
2471967060
25. Joint 90°
2471300000
26. Joint 45°
2471310000

xxxx = 4 digit color code.
See Color Chart on page 4
for list of color codes.

STANDARD CRANK OPERATED COUPLED SHADE WITH FASCIA
5-39 SERIES – COUPLED



Note: End Mount Installations will not receive a Bracket Cover Set and must be specified when ordering.

- 11. Crank Joint M
2471800000
- 12. Tube 0.59"
2971807010
- 13. Crank Rod Collar + pin OB
1801130000
- 14. Crank 0.55" OB
1801010000
- 15. Bracket Set M
247147xxxx
- 16. Bracket Cover Set M
247142xxxx
- 17. Tube 1.5"
247001xxxx – Tape 5m
247002xxxx – Spline 5m
- 18. Tube Adapter 1.5"
247121xxxx
- 19. Tube 2.0"
247060xxxx – Tape 5m
247061xxxx – Spline 5m
- 20. Tube Adapter 2.0"
247128xxxx

STANDARD COMPONENTS:

- 1. Fabric
- 2. Sealed Hembar
- 3. Cover Front Profile M 5m
247005xxxx
- 4. Chain Outlet Set M
247146xxxx
- 5. Tube 1.125" Tape 5m
247000xxxx
- 6. Tube Plug Connector 1.125"
247123xxxx
- 7. Tube Bearing Plug 1.125"
247120xxxx
- 8. Connector Set 1.125"
247134xxxx
- 9. Tube Bearing Plug 1.125" Nut
247129xxxx
- 10. Crank Drive M
247156xxxx

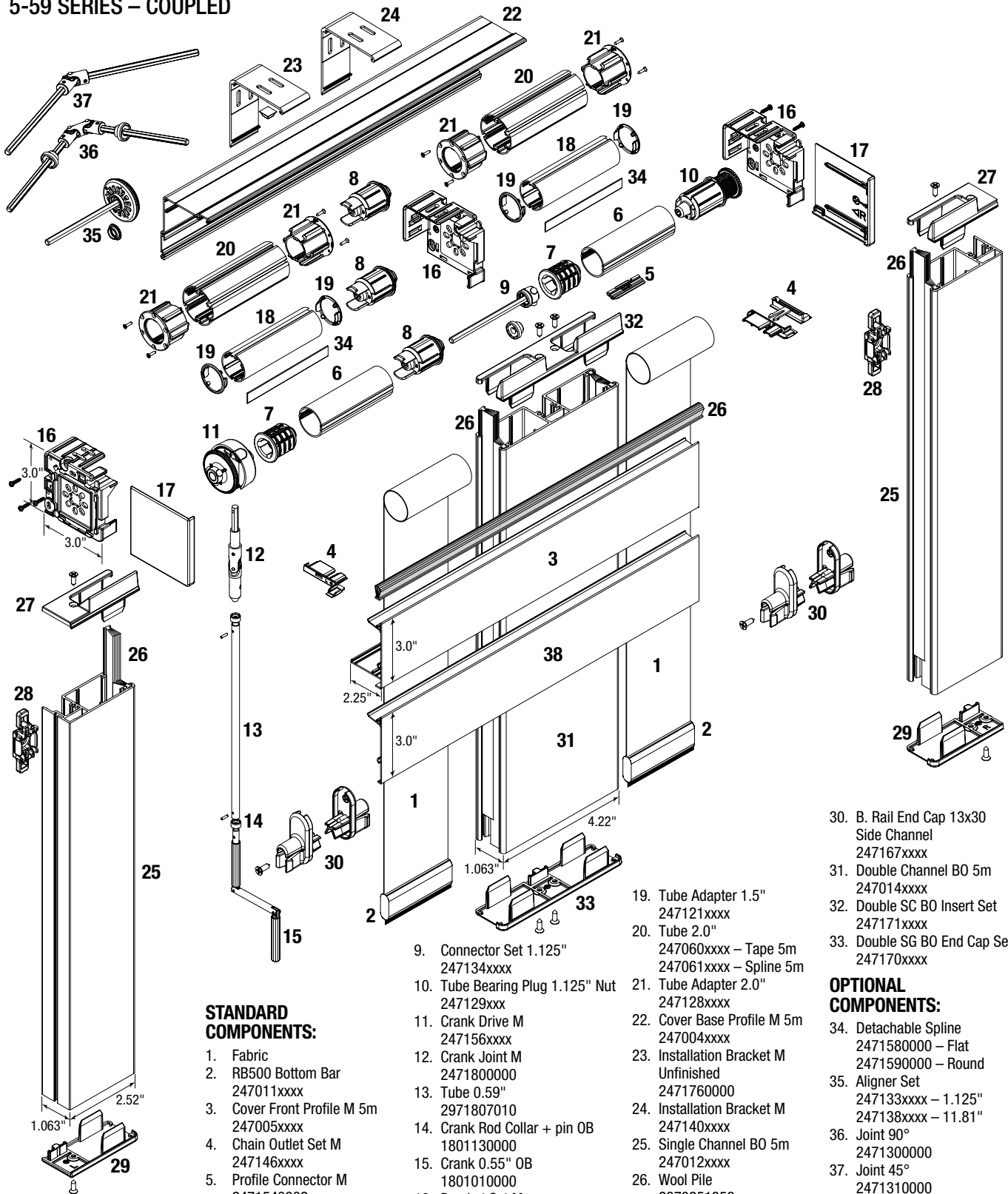
OPTIONAL COMPONENTS:

- 21. Detachable Spline
2471580000 – Flat
2471590000 – Round
- 22. Aligner Set
247133xxxx – 1.125"
247138xxxx – 11.81"
- 23. Joint 90°
2471300000
- 24. Joint 45°
2471310000
- 25. Reverse Roll Cover Profile M 5m
247008xxxx

xxxx = 4 digit color code.
 See Color Chart on page 4 for list of color codes.

STANDARD CRANK OPERATED COUPLED SHADE WITH BLOCKOUT SYSTEM

5-59 SERIES – COUPLED



STANDARD COMPONENTS:

1. Fabric
2. RB500 Bottom Bar
247011xxxx
3. Cover Front Profile M 5m
247005xxxx
4. Chain Outlet Set M
247146xxxx
5. Profile Connector M
2471540002
6. Tube 1.125" Tape 5m
247000xxxx
7. Tube Plug Connector 1.125"
247123xxxx
8. Tube Bearing Plug 1.125"
247120xxxx

9. Connector Set 1.125"
247134xxxx
10. Tube Bearing Plug 1.125" Nut
247129xxx
11. Crank Drive M
247156xxxx
12. Crank Joint M
2471800000
13. Tube 0.59"
2971807010
14. Crank Rod Collar + pin OB
1801130000
15. Crank 0.55" OB
1801010000
16. Bracket Set M
247147xxxx
17. Bracket Cover Set M
247142xxxx
18. Tube 1.5"
247001xxxx – Tape 5m
247002xxxx – Spline 5m

19. Tube Adapter 1.5"
247121xxxx
20. Tube 2.0"
247060xxxx – Tape 5m
247061xxxx – Spline 5m
21. Tube Adapter 2.0"
247128xxxx
22. Cover Base Profile M 5m
247004xxxx
23. Installation Bracket M
Unfinished
2471760000
24. Installation Bracket M
247140xxxx
25. Single Channel BO 5m
247012xxxx
26. Wool Pile
2370251858
27. Single SC BO Insert Set
247168xxxx
28. Side Channel Fixing Set
2471630000
29. Single SG BO End Cap Set
247169xxxx

30. B. Rail End Cap 13x30
Side Channel
247167xxxx
31. Double Channel BO 5m
247014xxxx
32. Double SC BO Insert Set
247171xxxx
33. Double SG BO End Cap Set
247170xxxx

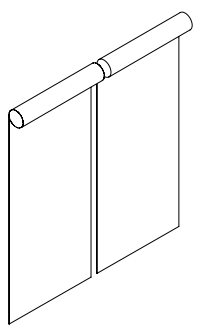
OPTIONAL COMPONENTS:

34. Detachable Spline
2471580000 – Flat
2471590000 – Round
35. Aligner Set
247133xxxx – 1.125"
247138xxxx – 11.81"
36. Joint 90°
2471300000
37. Joint 45°
2471310000
38. Reverse Roll Cover Profile
M 5m
247008xxxx

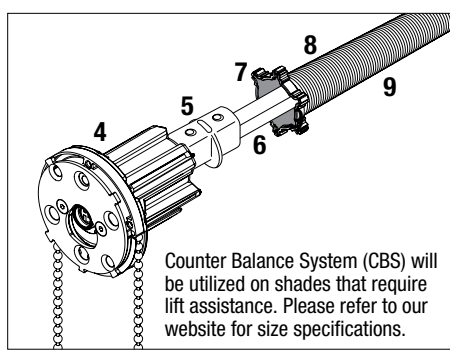
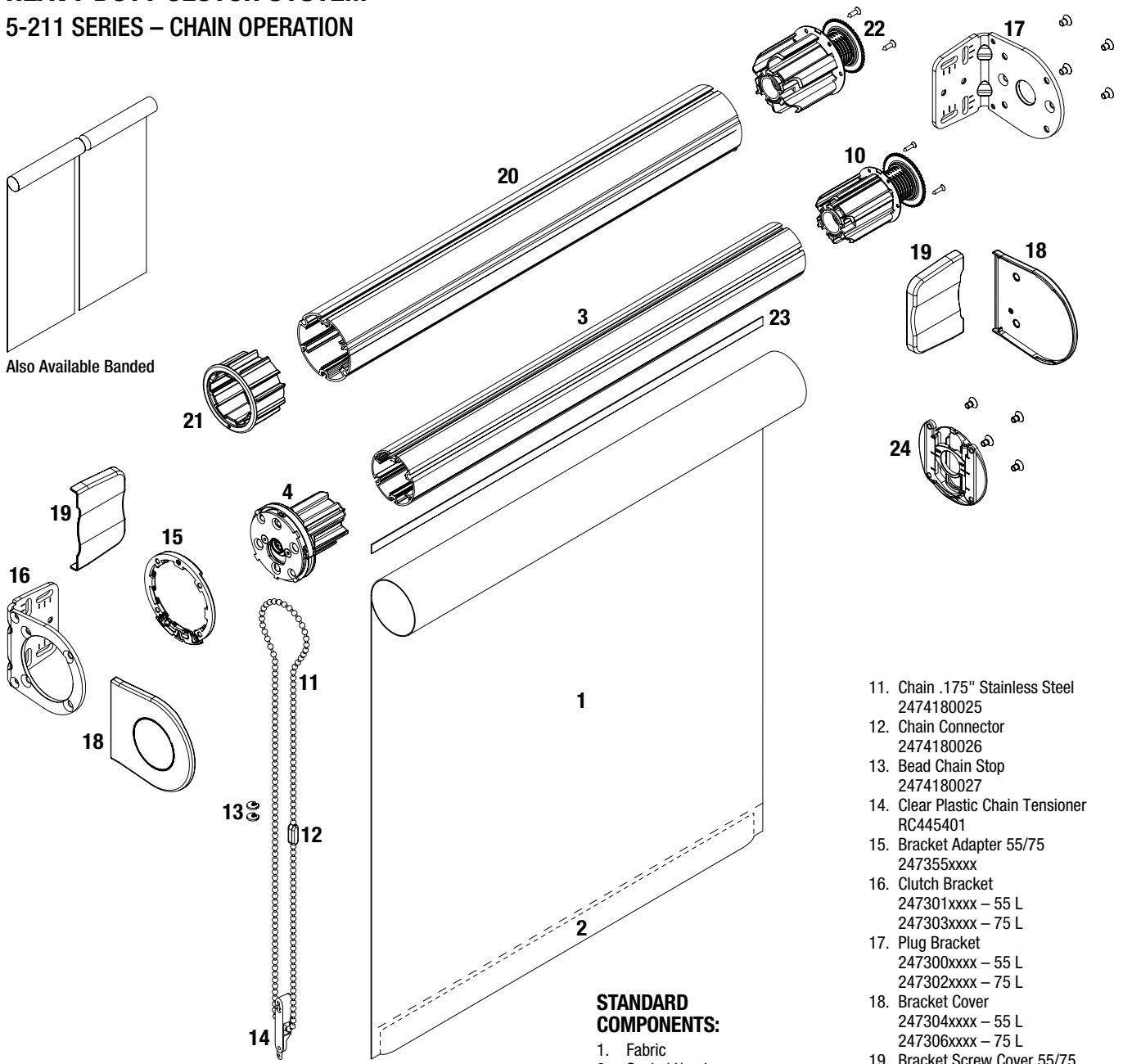
xxxx = 4 digit color code.
See Color Chart on page 4
for list of color codes.

Note: End Mount Installations
will not receive a Bracket
Cover Set and must be
specified when ordering.

HEAVY DUTY CLUTCH SYSTEM
5-211 SERIES – CHAIN OPERATION



Also Available Banded



Counter Balance System (CBS) will be utilized on shades that require lift assistance. Please refer to our website for size specifications.

STANDARD COMPONENTS:

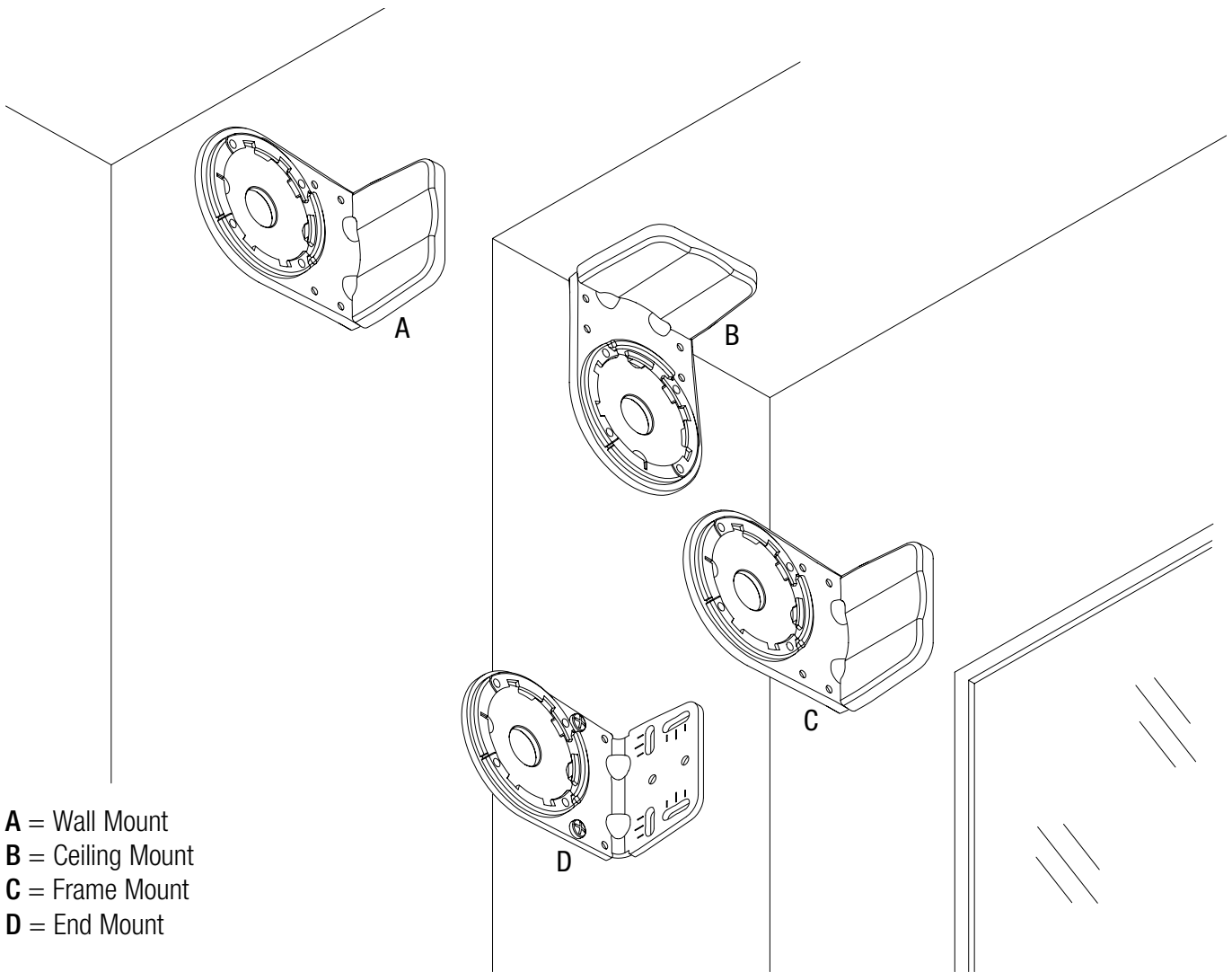
1. Fabric
2. Sealed Hembar
3. Tube 2.0"
247060xxxx – Tape 5m
4. Clutch 1:1
247357xxxx
5. CS-L Connector
2473671601
6. Driving Tube Alu 12 mm
1840497080
7. CS-L Tensioner
2473691601
8. CS-L Spring
2473640000 – 1.2
2473650000 – 1.5
2473660000 – 1.8
2473720000 – 2.1
2473730000 – 2.4
9. CS-L Rubber Tube (Under Spring)
2473681858
10. Tube Bearing Plug 2.0" Nut
247310xxxx

11. Chain .175" Stainless Steel
2474180025
12. Chain Connector
2474180026
13. Bead Chain Stop
2474180027
14. Clear Plastic Chain Tensioner
RC445401
15. Bracket Adapter 55/75
247355xxxx
16. Clutch Bracket
247301xxxx – 55 L
247303xxxx – 75 L
17. Plug Bracket
247300xxxx – 55 L
247302xxxx – 75 L
18. Bracket Cover
247304xxxx – 55 L
247306xxxx – 75 L
19. Bracket Screw Cover 55/75
247308xxxx – Screw Cover
247309xxxx – Screw Cover Cable
20. Tube 2.5"
247052xxxx – Tape 5m
247053xxxx – Spline 5m
21. Tube Adapter 2.5"
247326xxxx
22. Tube Bearing Plug 2.5" Nut
247311xxxx

OPTIONAL COMPONENTS:

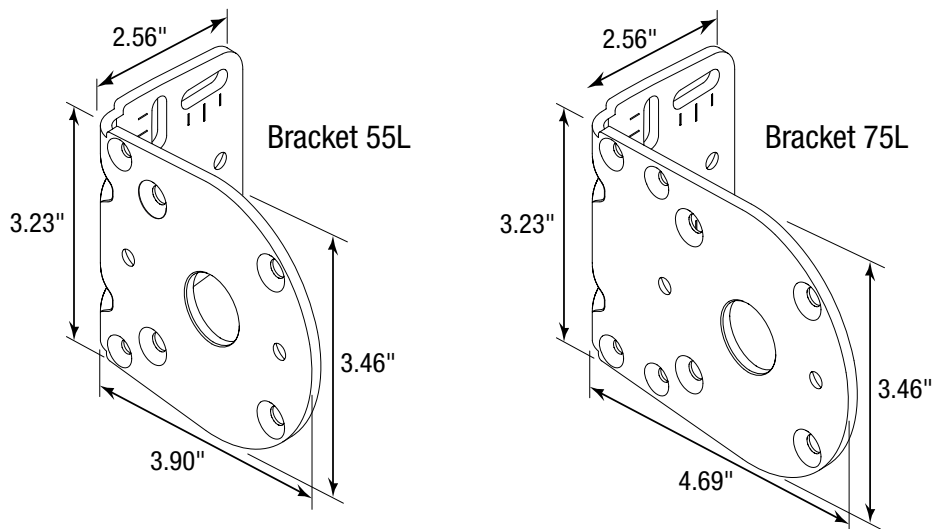
23. Detachable Spline
2471580000 – Flat
2471590000 – Round
 24. Leveler 2.0"
247344xxxx
- xxxx = 4 digit color code.
 See Color Chart on page 4
 for list of color codes.

HEAVY DUTY BRACKET MOUNTING LOCATIONS

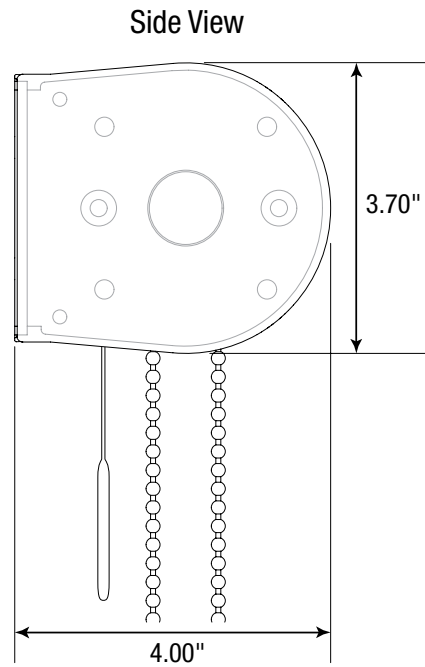
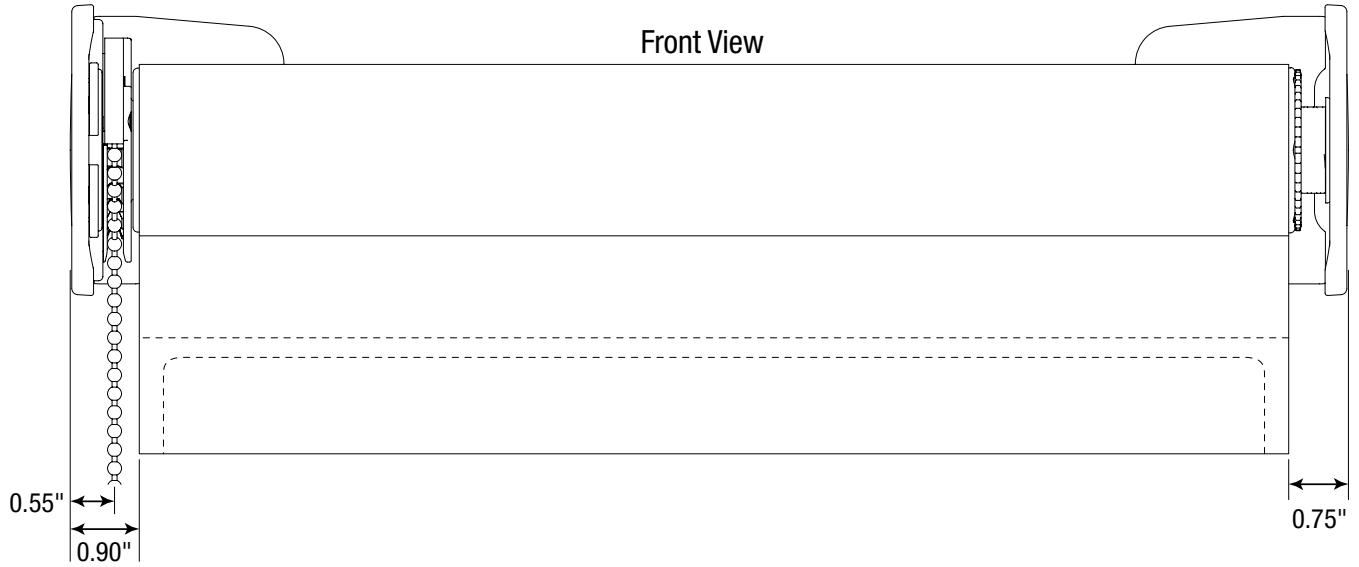
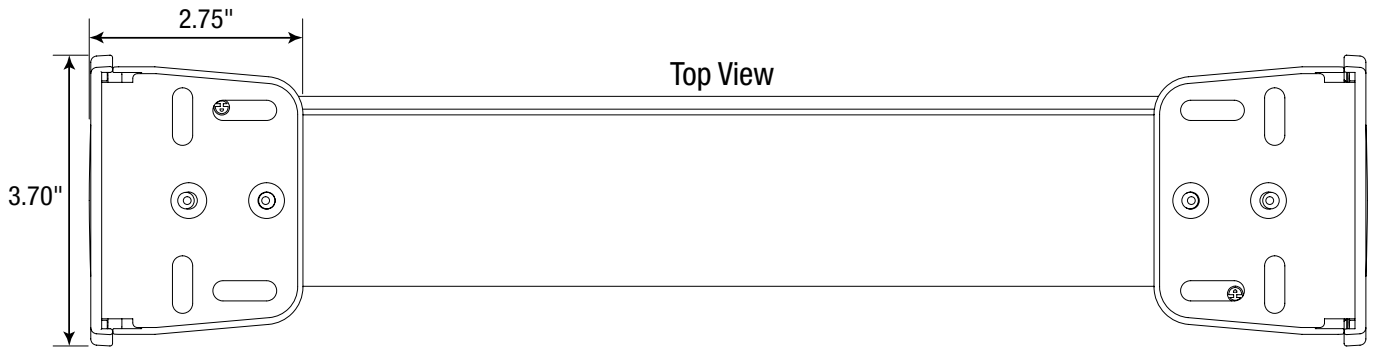


- A = Wall Mount
- B = Ceiling Mount
- C = Frame Mount
- D = End Mount

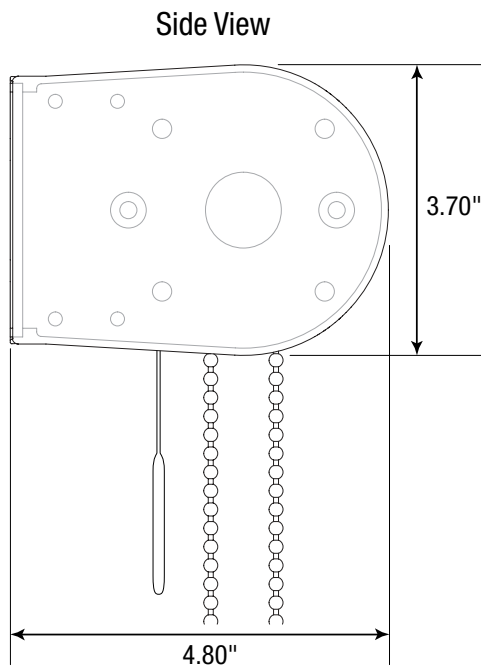
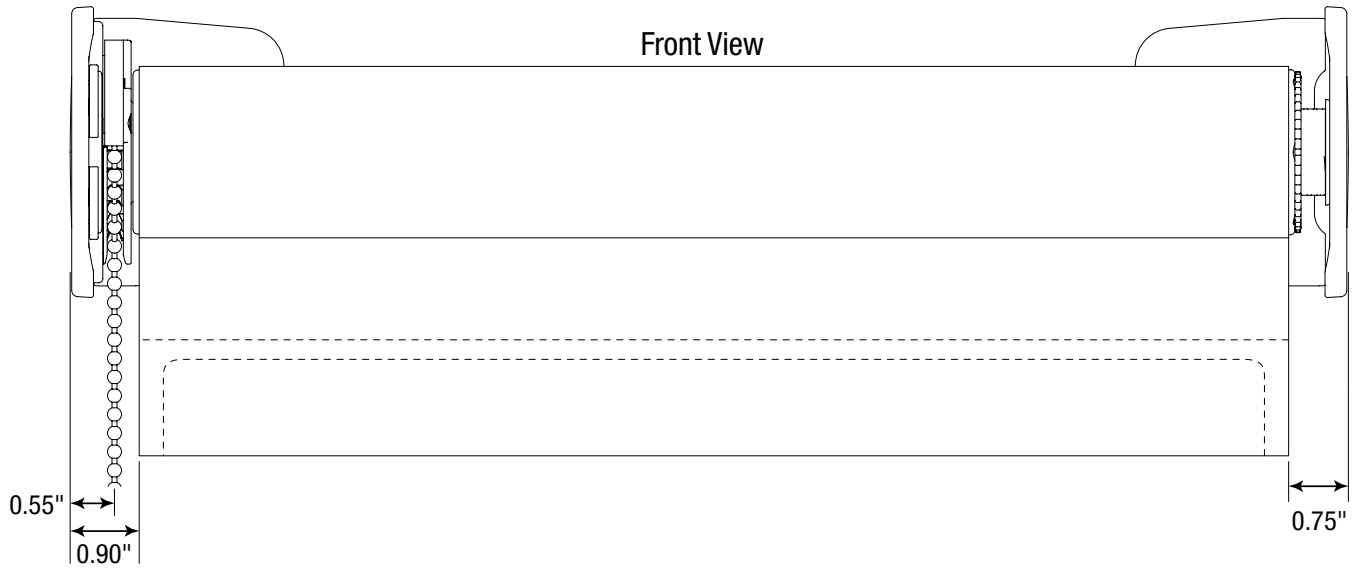
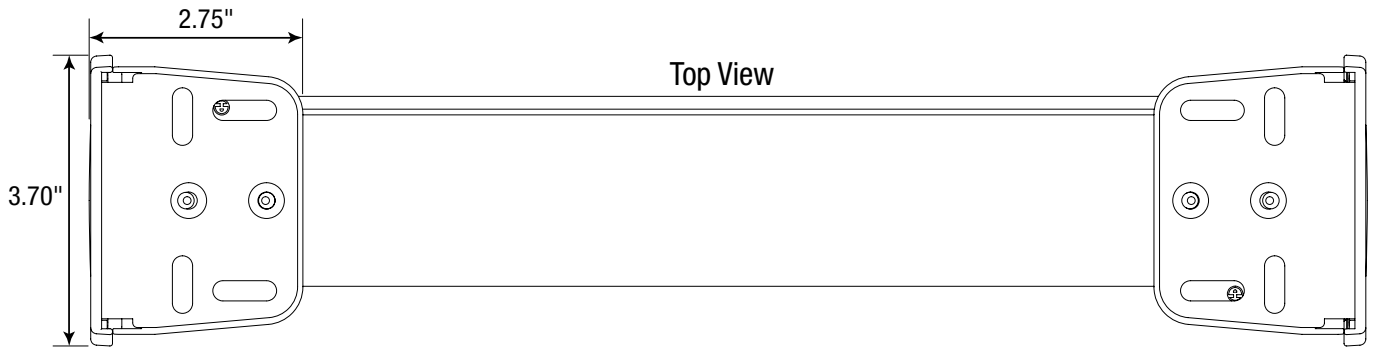
HEAVY DUTY BRACKET DIMENSIONS



BRACKET 55L STANDARD SHADE MOUNTING

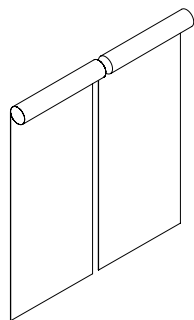


BRACKET 75L EXTENDED SHADE MOUNTING

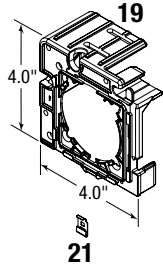
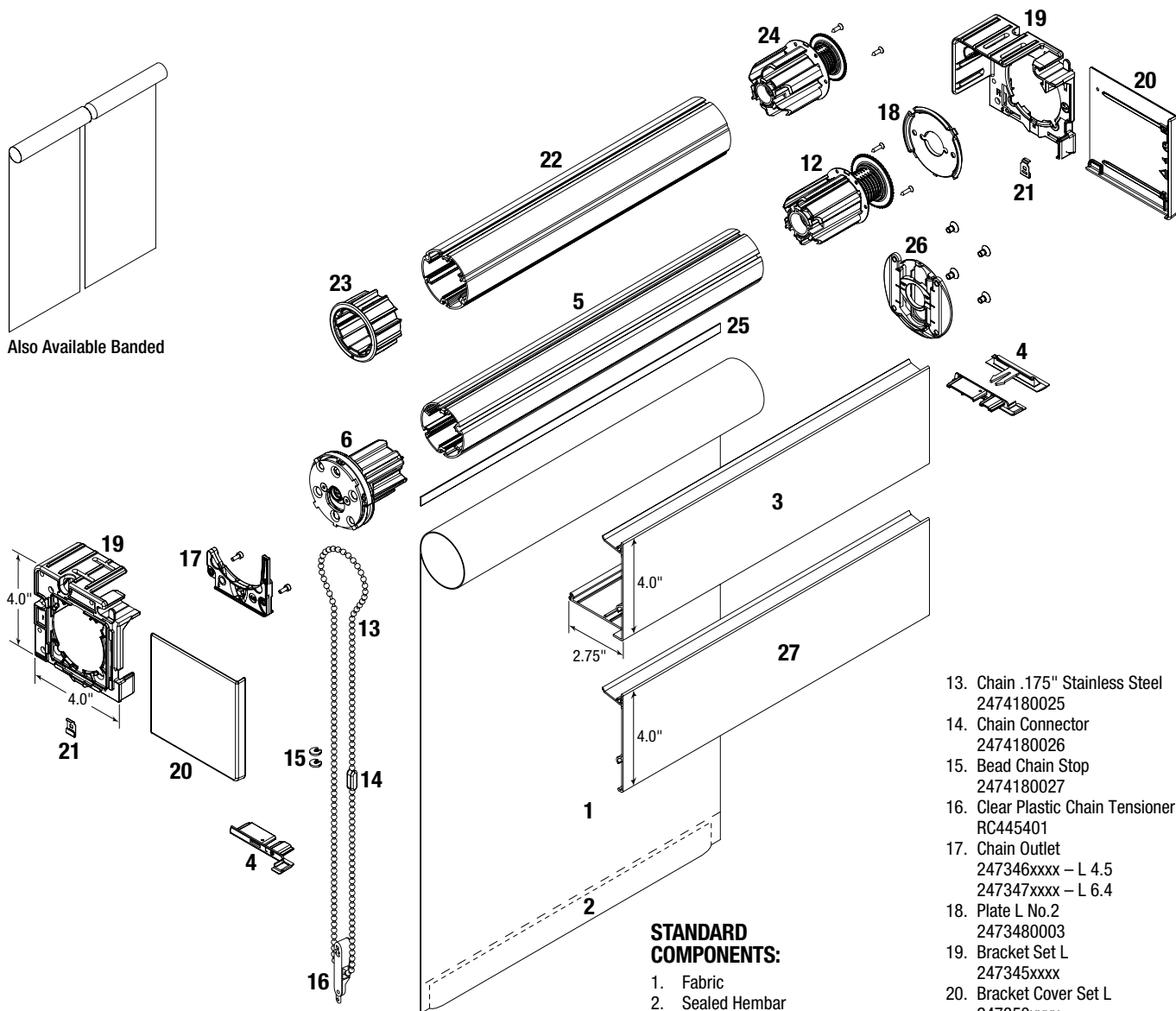


HEAVY DUTY CLUTCH SYSTEM WITH FASCIA

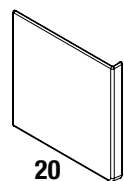
5-231 SERIES – CHAIN OPERATION



Also Available Banded



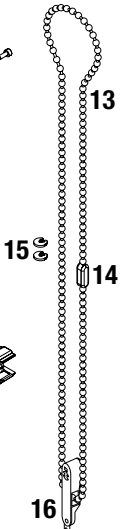
21



20



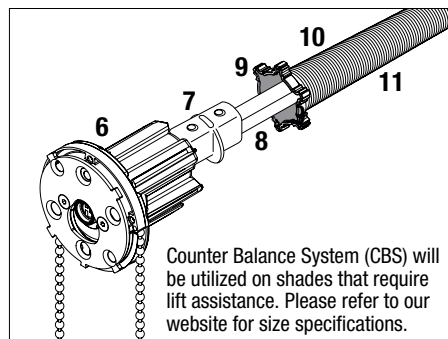
4



15

14

16



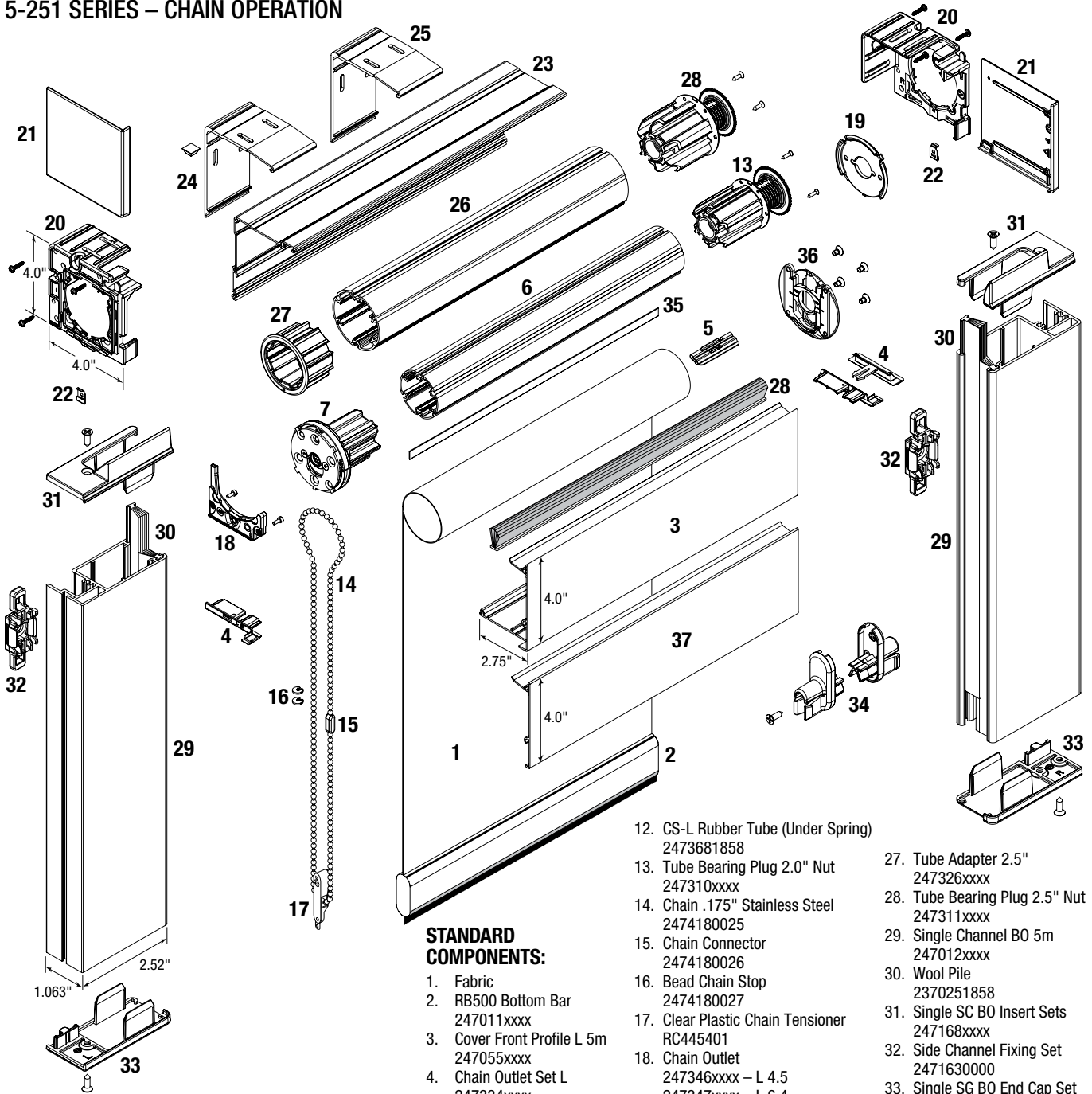
Counter Balance System (CBS) will be utilized on shades that require lift assistance. Please refer to our website for size specifications.

Note: End Mount Installations will not receive a Bracket Cover Set and must be specified when ordering.

- 13. Chain .175" Stainless Steel
2474180025
 - 14. Chain Connector
2474180026
 - 15. Bead Chain Stop
2474180027
 - 16. Clear Plastic Chain Tensioner
RC445401
 - 17. Chain Outlet
247346xxxx – L 4.5
247347xxxx – L 6.4
 - 18. Plate L No.2
2473480003
 - 19. Bracket Set L
247345xxxx
 - 20. Bracket Cover Set L
247350xxxx
 - 21. Locking Clip L
2473430002
 - 22. Tube 2.5"
247052xxxx – Tape 5m
247053xxxx – Spline 5m
 - 23. Tube Adapter 2.5"
247326xxxx
 - 24. Tube Bearing Plug 2.5" Nut
247311xxxx
- STANDARD COMPONENTS:**
- 1. Fabric
 - 2. Sealed Hembar
 - 3. Cover Front Profile L 5m
247055xxxx
 - 4. Chain Outlet Set L
247334xxxx
 - 5. Tube 2.0"
247060xxxx – Tape 5m
 - 6. Clutch 1:1
247357xxxx
 - 7. CS-L Connector
2473671601
 - 8. Driving Tube Alu 12 mm
1840497080
 - 9. CS-L Tensioner
2473691601
 - 10. CS-L Spring
2473640000 – 1.2
2473650000 – 1.5
2473660000 – 1.8
2473720000 – 2.1
2473730000 – 2.4
 - 11. CS-L Rubber Tube (Under Spring)
2473681858
 - 12. Tube Bearing Plug 2.0" Nut
247310xxxx
- OPTIONAL COMPONENTS:**
- 25. Detachable Spline
2471580000 – Flat
2471590000 – Round
 - 26. Leveler 2.0"
247344xxxx
 - 27. Reverse Roll Cover Profile
L 5m
247058xxxx
- xxxx = 4 digit color code.
See Color Chart on page 4 for list of color codes.

HEAVY DUTY CLUTCH WITH BLOCKOUT SYSTEM

5-251 SERIES – CHAIN OPERATION

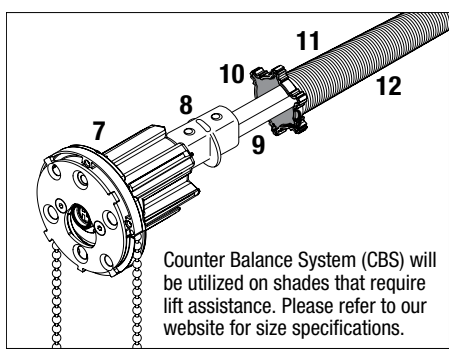


STANDARD COMPONENTS:

- 1. Fabric
- 2. RB500 Bottom Bar
247011xxxx
- 3. Cover Front Profile L 5m
247055xxxx
- 4. Chain Outlet Set L
247334xxxx
- 5. Profile Connector L
2473360002
- 6. Tube 2.0"
247060xxxx – Tape 5m
- 7. Clutch 1:1
247357xxxx
- 8. CS-L Connector
2473671601
- 9. Driving Tube Alu 12 mm
1840497080
- 10. CS-L Tensioner
2473691601
- 11. CS-L Spring
2473640000 – 1.2
2473650000 – 1.5
2473660000 – 1.8
2473720000 – 2.1
2473730000 – 2.4
- 12. CS-L Rubber Tube (Under Spring)
2473681858
- 13. Tube Bearing Plug 2.0" Nut
247310xxxx
- 14. Chain .175" Stainless Steel
2474180025
- 15. Chain Connector
2474180026
- 16. Bead Chain Stop
2474180027
- 17. Clear Plastic Chain Tensioner
RC445401
- 18. Chain Outlet
247346xxxx – L 4.5
247347xxxx – L 6.4
- 19. Plate L No.2
2473480003
- 20. Bracket Set L
247345xxxx
- 21. Bracket Cover Set L
247350xxxx
- 22. Locking Clip L
2473430002
- 23. Closing Profile L 5m
247056xxxx
- 24. Installation Bracket L Unfinished
2473420000
- 25. Installation Bracket L
247341xxxx
- 26. Tube 2.5"
247052xxxx – Tape 5m
247053xxxx – Spline 5m
- 27. Tube Adapter 2.5"
247326xxxx
- 28. Tube Bearing Plug 2.5" Nut
247311xxxx
- 29. Single Channel B0 5m
247012xxxx
- 30. Wool Pile
2370251858
- 31. Single SC B0 Insert Sets
247168xxxx
- 32. Side Channel Fixing Set
2471630000
- 33. Single SG B0 End Cap Set
247169xxxx
- 34. B-Rail End Cap 13x30 S. Channel
247167xxxx

OPTIONAL COMPONENTS:

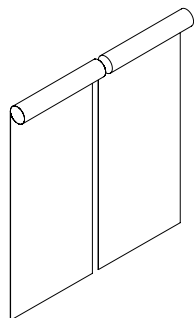
- 35. Detachable Spline
2471580000 – Flat
2471590000 – Round
 - 36. Leveler 2.0"
247344xxxx
 - 37. Reverse Roll Cover Profile L 5m
247058xxxx
- xxxx = 4 digit color code.
See Color Chart on page 4 for list of color codes.



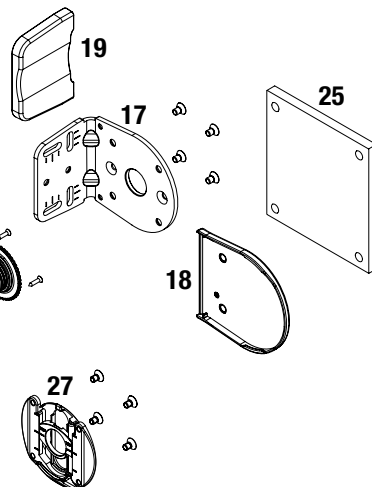
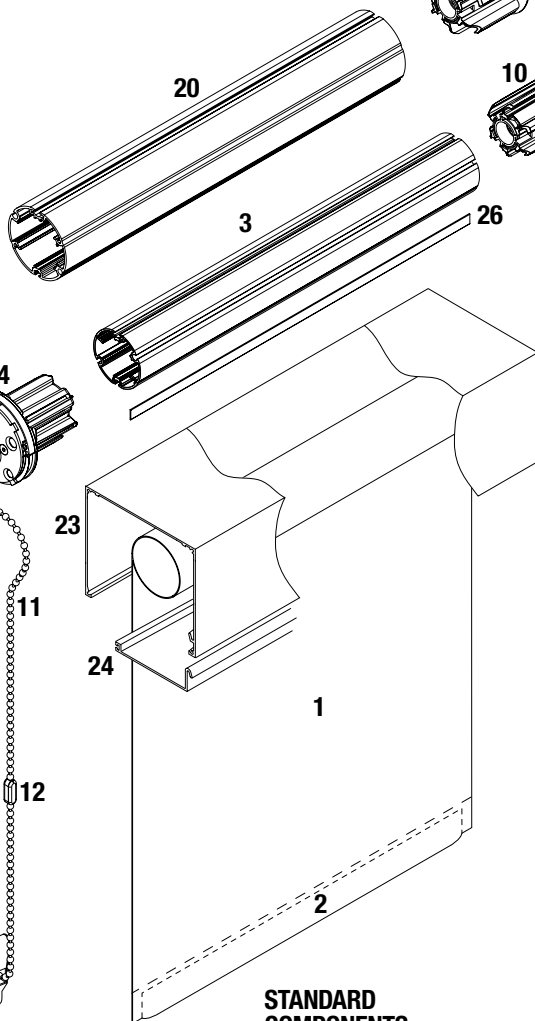
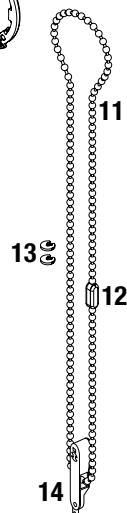
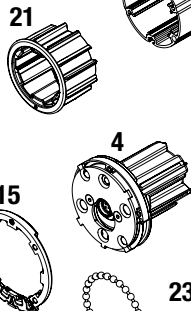
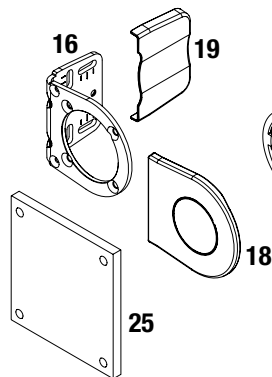
Note: End Mount Installations will not receive a Bracket Cover Set and must be specified when ordering.

HEAVY DUTY CLUTCH SYSTEM WITH EXTRUDED POCKET

5-211 SERIES – CHAIN OPERATION



Also Available Banded



- 12. Chain Connector
2474180026
- 13. Bead Chain Stop
2474180027
- 14. Clear Plastic Chain Tensioner
RC445401
- 15. Bracket Adapter 55/75
247355xxxx
- 16. Clutch Bracket
247301xxxx – 55 L
247303xxxx – 75 L
- 17. Plug Bracket
247300xxxx – 55 L
247302xxxx – 75 L
- 18. Bracket Cover
247304xxxx – 55 L
247306xxxx – 75 L
- 19. Bracket Screw Cover 55/75
247308xxxx – Screw Cover
247309xxxx – Screw Cover Cable

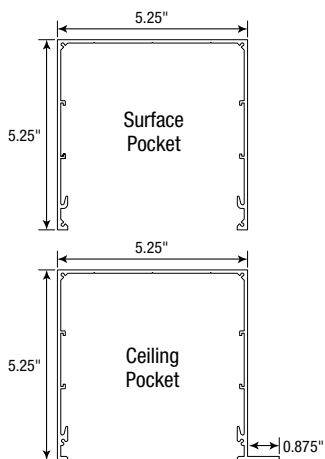
- 20. Tube 2.5"
247052xxxx – Tape 5m
247053xxxx – Spline 5m
- 21. Tube Adapter 2.5"
247326xxxx
- 22. Tube Bearing Plug 2.5" Nut
247311xxxx
- 23. 5.25" Extruded Pocket
RC502000 – Ceiling Pocket Anodized
RC502675 – Ceiling Pocket White
RC503000 – Surface Pocket Anodized
RC503675 – Surface Pocket White
- 24. 2" Pocket Bottom Closure
RC500000 – Anodized
RC500675 – White
3" Pocket Bottom Closure
RC501000 – Anodized
RC501675 – White

OPTIONAL COMPONENTS:

- 25. Pocket End Plate
RC506675 – White
RC506000 – Anodized
- 26. Detachable Spline
2471580000 – Flat
2471590000 – Round
- 27. Leveler 2.0"
247344xxxx

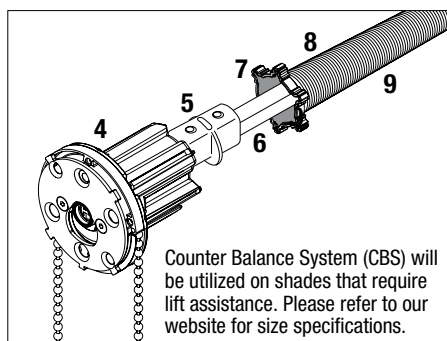
xxxx = 4 digit color code.
See Color Chart on page 4
for list of color codes.

POCKET PROFILES:



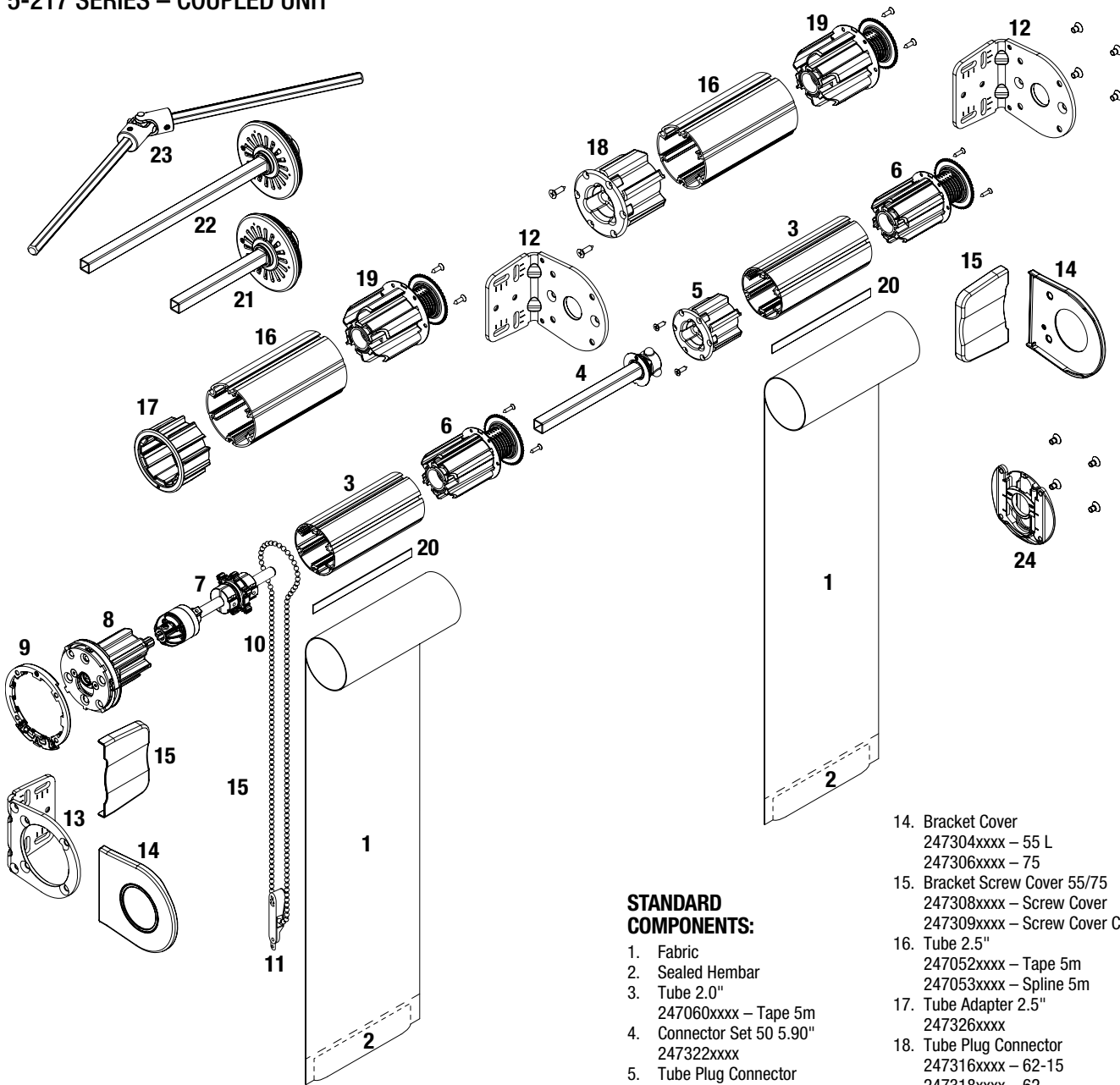
STANDARD COMPONENTS:

- 1. Fabric
- 2. Sealed Hembar
- 3. Tube 2.0"
247060xxxx – Tape 5m
- 4. Clutch 1:1
247357xxxx
- 5. CS-L Connector
2473671601
- 6. Driving Tube Alu 12 mm
1840497080
- 7. CS-L Tensioner
2473691601
- 8. CS-L Spring
2473640000 – 1.2
2473650000 – 1.5
2473660000 – 1.8
2473720000 – 2.1
2473730000 – 2.4
- 9. CS-L Rubber Tube (Under Spring)
2473681858
- 10. Tube Bearing Plug 2.0" Nut
247310xxxx
- 11. Chain .175" Stainless Steel
2474180025



HEAVY DUTY CLUTCH SYSTEM COUPLED

5-217 SERIES – COUPLED UNIT



STANDARD COMPONENTS:

1. Fabric
2. Sealed Hembar
3. Tube 2.0"
247060xxxx – Tape 5m
4. Connector Set 50 5.90"
247322xxxx
5. Tube Plug Connector
247315xxxx – 50-15
247317xxxx – 50
6. Tube Bearing Plug 2.0" Nut
247310xxxx
7. Auto Stop 2.0"/2.5"
2473281601
8. Control Set 50 3:1 Ch. 4.5
247319xxxx
9. Bracket Adapter 55/75
247355xxxx
10. Chain .175" Stainless Steel
2474180025
11. Clear Plastic Chain Tensioner
RC445401
12. Plug Bracket
247300xxxx – 55 L
247302xxxx – 75 L
13. Clutch Bracket
247301xxxx – 55 L
247303xxxx – 75 L

14. Bracket Cover
247304xxxx – 55 L
247306xxxx – 75
15. Bracket Screw Cover 55/75
247308xxxx – Screw Cover
247309xxxx – Screw Cover Cable
16. Tube 2.5"
247052xxxx – Tape 5m
247053xxxx – Spline 5m
17. Tube Adapter 2.5"
247326xxxx
18. Tube Plug Connector
247316xxxx – 62-15
247318xxxx – 62
19. Tube Bearing Plug 2.5" Nut
247311xxxx

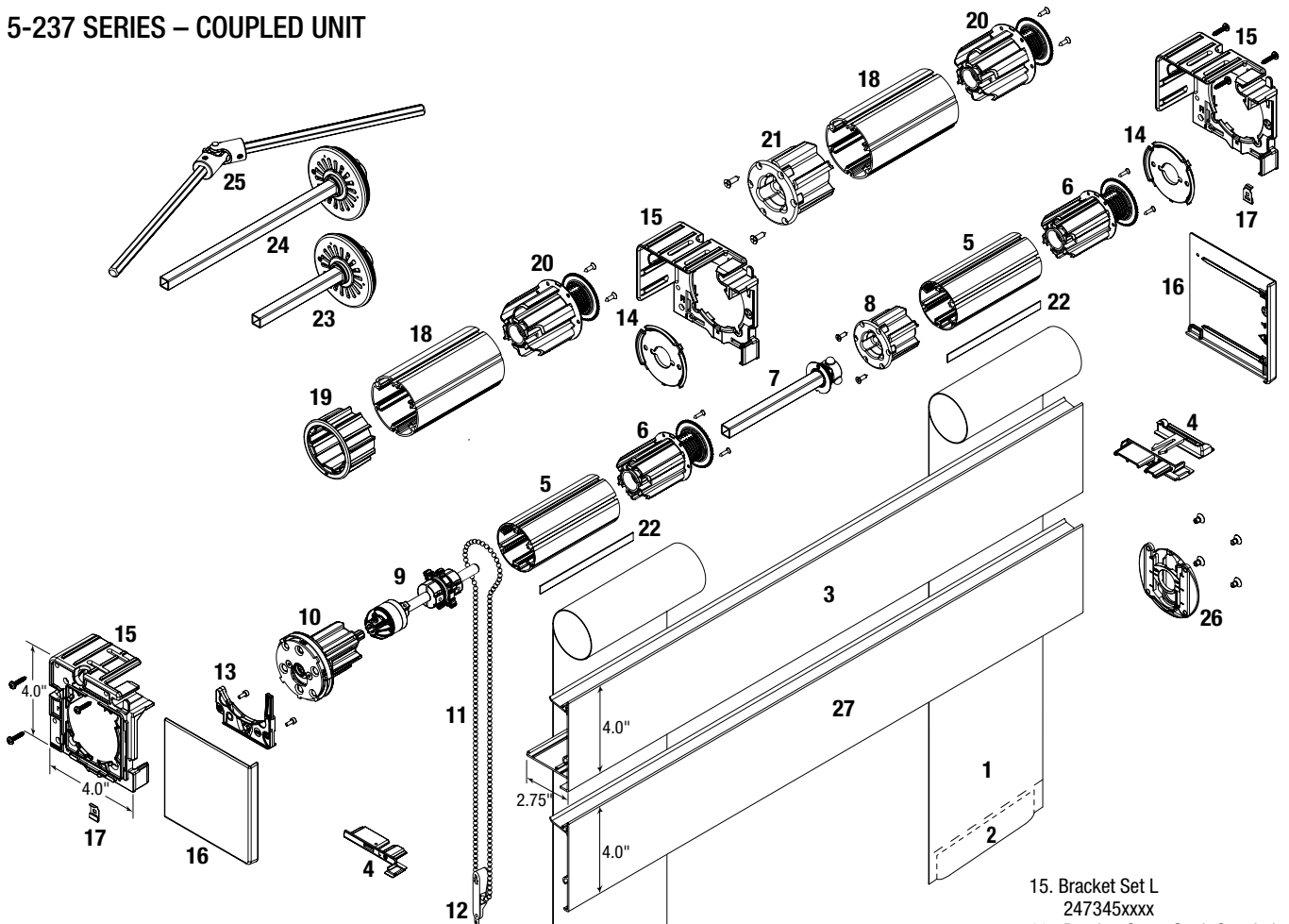
OPTIONAL COMPONENTS:

20. Detachable Spline
2471580000 – Flat
2471590000 – Round
21. Aligner Set 50 5.9"
247323xxxx
22. Aligner Set 50 11.81"
247329xxxx
23. Joint 45° L
2473210000
24. Leveler 2.0"
247344xxxx

xxxx = 4 digit color code.
See Color Chart on page 4
for list of color codes.

HEAVY DUTY CLUTCH SYSTEM COUPLED WITH FASCIA

5-237 SERIES – COUPLED UNIT



- 15. Bracket Set L
247345xxxx
 - 16. Bracket Cover Set L Coupled
247331xxxx
 - 17. Locking Clip L
2473430002
 - 18. Tube 2.5"
247052xxxx – Tape 5m
247053xxxx – Spline 5m
 - 19. Tube Adapter 2.5"
247326xxxx
 - 20. Tube Bearing Plug 2.5" Nut
247311xxxx
 - 21. Tube Plug Connector
247316xxxx – 62-15
247318xxxx – 62
 - 22. Detachable Spline
2471580000 – Flat
2471590000 – Round
 - 23. Aligner Set 50 5.9"
247323xxxx
 - 24. Aligner Set 50 11.81"
247329xxxx
 - 25. Joint 45° L
2473210000
 - 26. Leveler 2.0"
247344xxxx
 - 27. Reverse Roll Cover Profile
L 5m
247058xxxx
- xxxx = 4 digit color code.
See Color Chart on page 4
for list of color codes.

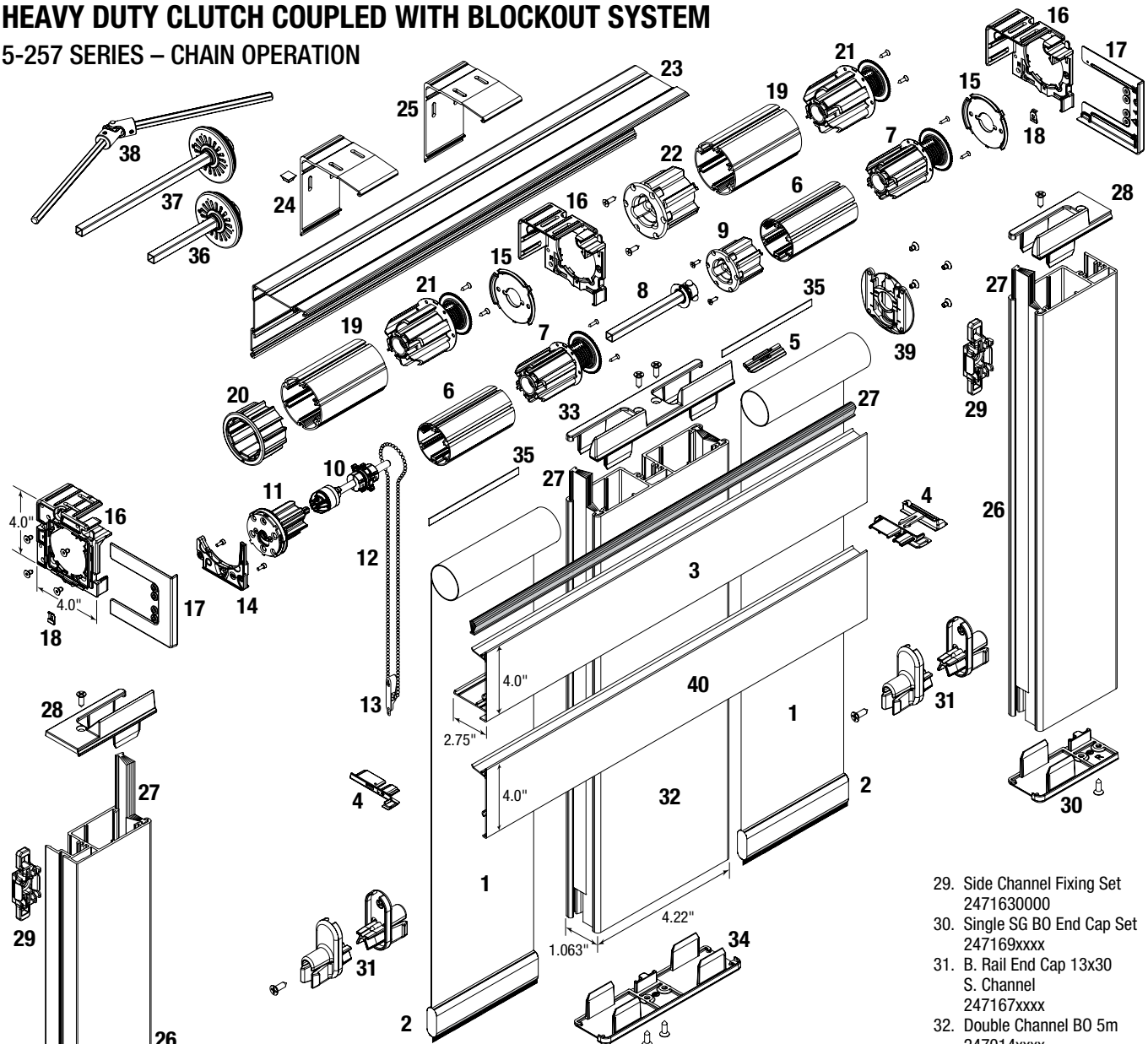
STANDARD COMPONENTS:

- 1. Fabric
- 2. Sealed Hembar
- 3. Cover Front Profile L 5m
247055xxxx
- 4. Chain Outlet Set L
247334xxxx
- 5. Tube 2.0"
247060xxxx – Tape 5m
- 6. Tube Bearing Plug 2.0" Nut
247310xxxx
- 7. Connector Set 50 5.90"
247322xxxx
- 8. Tube Plug Connector
247315xxxx – 50-15
247317xxxx – 50
- 9. Auto Stop 2.0"/2.5"
2473281601
- 10. Control Set 50 3:1 Ch. 4.5
247319xxxx
- 11. Chain .175" Stainless Steel
2474180025
- 12. Clear Plastic Chain Tensioner
RC445401
- 13. Chain Outlet
247346xxxx – L 4.5
247347xxxx – L 6.4
- 14. Plate L No.2
2473480003

Note: End Mount Installations will not receive a Bracket Cover Set and must be specified when ordering.

HEAVY DUTY CLUTCH COUPLED WITH BLOCKOUT SYSTEM

5-257 SERIES – CHAIN OPERATION



STANDARD COMPONENTS:

1. Fabric
2. RB500 Bottom Bar 247011xxxx
3. Cover Front Profile L 5m 247055xxxx
4. Chain Outlet Set L 247334xxxx
5. Profile Connector L 2473360002
6. Tube 2.0" 247060xxxx – Tape 5m
7. Tube Bearing Plug 2.0" Nut 247310xxxx
8. Connector Set 50 5.90" 247322xxxx
9. Tube Plug Connector 247315xxxx – 50-15 247317xxxx – 50
10. Auto Stop 2.0"/2.5" 2473281601
11. Control Set 50 3:1 Ch. 4.5 247319xxxx
12. Chain .175" Stainless Steel 2474180025
13. Clear Plastic Chain Tensioner RC445401
14. Chain Outlet 247346xxxx – L 4.5 247347xxxx – L 6.4
15. Plate L No.2 2473480003
16. Bracket Set L 247345xxxx
17. Bracket Cover Set L Coupled 247331xxxx

18. Locking Clip L 2473430002
19. Tube 2.5" 247052xxxx – Tape 5m 247053xxxx – Spline 5m
20. Tube Adapter 2.5" 247326xxxx
21. Tube Bearing Plug 2.5" Nut 247311xxxx
22. Tube Plug Connector 247316xxxx – 62-15 247318xxxx – 62
23. Closing Profile L 5m 247056xxxx
24. Installation Bracket L Unfinished 2473420000
25. Installation Bracket L 247341xxxx
26. Single Channel BO 5m 247012xxxx
27. Wool Pile 2370251858
28. Single SC BO Insert Sets 247168xxxx

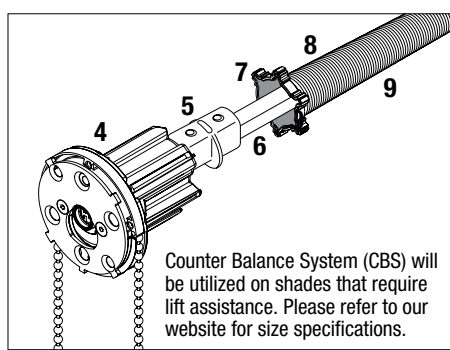
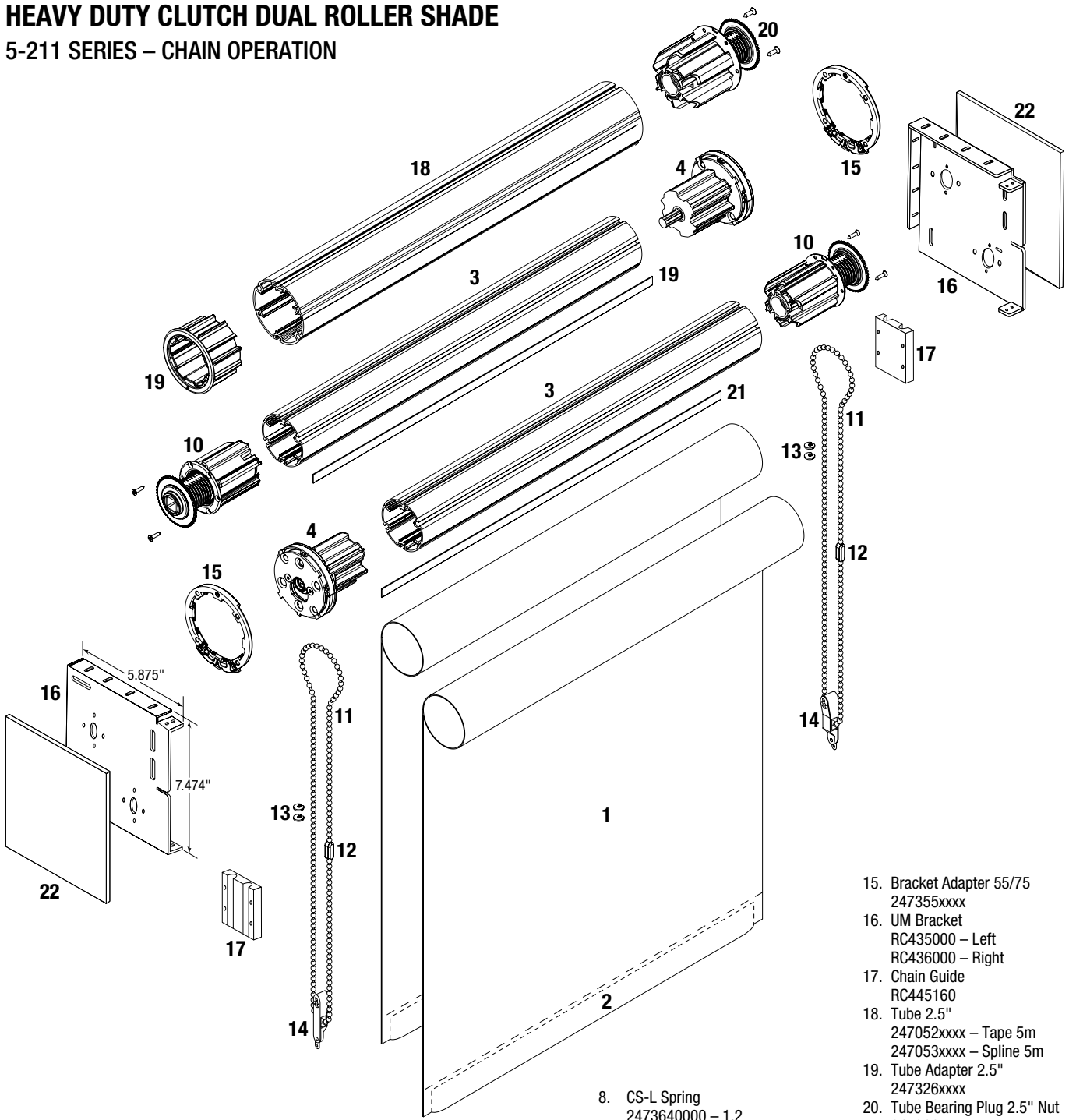
29. Side Channel Fixing Set 2471630000
30. Single SG BO End Cap Set 247169xxxx
31. B. Rail End Cap 13x30 S. Channel 247167xxxx
32. Double Channel BO 5m 247014xxxx
33. Double SC BO Insert Set 247171xxxx
34. Double SG BO End Cap Set 247170xxxx

OPTIONAL COMPONENTS:

35. Detachable Spline 2471580000 – Flat 2471590000 – Round
 36. Aligner Set 50 5.90" 247323xxxx
 37. Aligner Set 50 11.81" 247329xxxx
 38. Joint 45° L 2473210000
 39. Leveler 2.0" 247344xxxx
 40. Reverse Roll Cover Profile L 5m 247058xxxx
- xxxx = 4 digit color code. See Color Chart on page 4 for list of color codes.

HEAVY DUTY CLUTCH DUAL ROLLER SHADE

5-211 SERIES – CHAIN OPERATION



Counter Balance System (CBS) will be utilized on shades that require lift assistance. Please refer to our website for size specifications.

STANDARD COMPONENTS:

1. Fabric
2. Sealed Hembar
3. Tube 2.0"
247060xxxx – Tape 5m
4. Clutch 1:1
247357xxxx
5. CS-L Connector
2473671601
6. Driving Tube Alu 12 mm
1840497080
7. CS-L Tensioner
2473691601

8. CS-L Spring
2473640000 – 1.2
2473650000 – 1.5
2473660000 – 1.8
2473720000 – 2.1
2473730000 – 2.4
9. CS-L Rubber Tube (Under Spring)
2473681858
10. Tube Bearing Plug 2.0" Nut
247310xxxx
11. Chain .175" Stainless Steel
2474180025
12. Chain Connector
2474180026
13. Bead Chain Stop
2474180027
14. Clear Plastic Chain Tensioner
RC445401

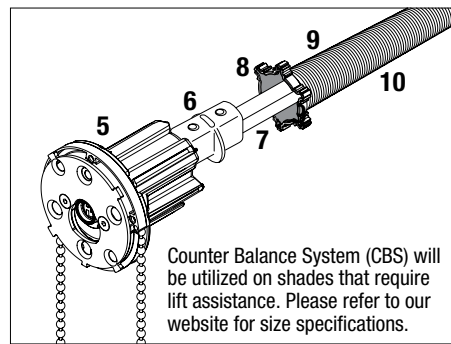
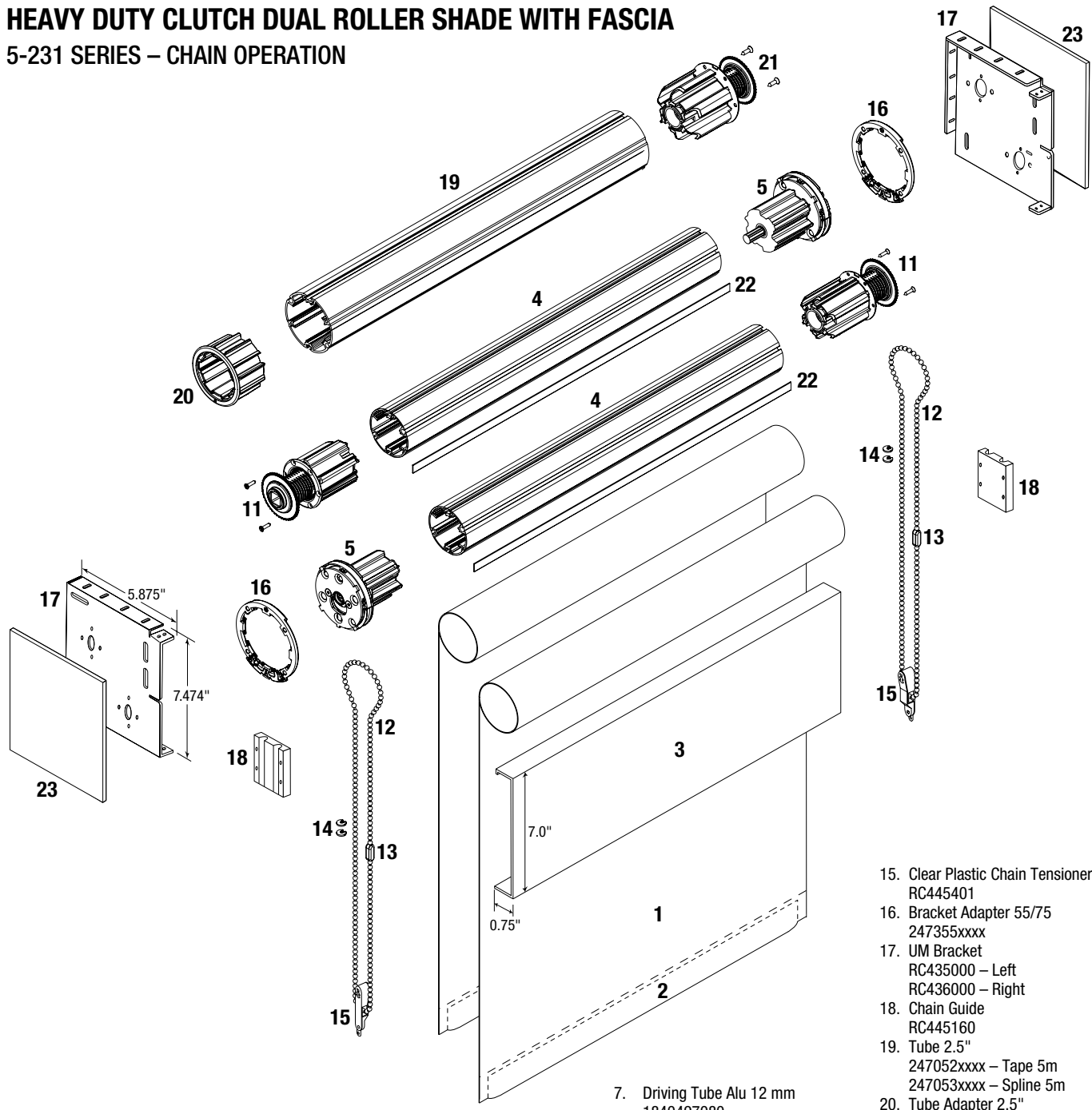
15. Bracket Adapter 55/75
247355xxxx
16. UM Bracket
RC435000 – Left
RC436000 – Right
17. Chain Guide
RC445160
18. Tube 2.5"
247052xxxx – Tape 5m
247053xxxx – Spline 5m
19. Tube Adapter 2.5"
247326xxxx
20. Tube Bearing Plug 2.5" Nut
247311xxxx

OPTIONAL COMPONENTS:

21. Detachable Spline
2471580000 – Flat
2471590000 – Round
 22. Bracket End Plate
RC437000 – Anodized
RC437048 – Black
RC437350 – Vanilla
RC437785 – White
RC437864 – Bronze
- xxxx = 4 digit color code.
See Color Chart on page 4 for list of color codes.

HEAVY DUTY CLUTCH DUAL ROLLER SHADE WITH FASCIA

5-231 SERIES – CHAIN OPERATION



Counter Balance System (CBS) will be utilized on shades that require lift assistance. Please refer to our website for size specifications.

STANDARD COMPONENTS:

1. Fabric
2. Sealed Hembar
3. 7" Fascia
RC511000 – Anodized
RC511048 – Black
RC511350 – Vanilla
RC511785 – White
RC511864 – Bronze
4. Tube 2.0"
247060xxxx – Tape 5m
5. Clutch 1:1
247357xxxx
6. CS-L Connector
2473671601

7. Driving Tube Alu 12 mm
1840497080
8. CS-L Tensioner
2473691601
9. CS-L Spring
2473640000 – 1.2
2473650000 – 1.5
2473660000 – 1.8
2473720000 – 2.1
2473730000 – 2.4
10. CS-L Rubber Tube (Under Spring)
2473681858
11. Tube Bearing Plug 2.0" Nut
247310xxxx
12. Chain .175" Stainless Steel
2474180025
13. Chain Connector
2474180026
14. Bead Chain Stop
2474180027

15. Clear Plastic Chain Tensioner
RC445401
16. Bracket Adapter 55/75
247355xxxx
17. UM Bracket
RC435000 – Left
RC436000 – Right
18. Chain Guide
RC445160
19. Tube 2.5"
247052xxxx – Tape 5m
247053xxxx – Spline 5m
20. Tube Adapter 2.5"
247326xxxx
21. Tube Bearing Plug 2.5" Nut
247311xxxx

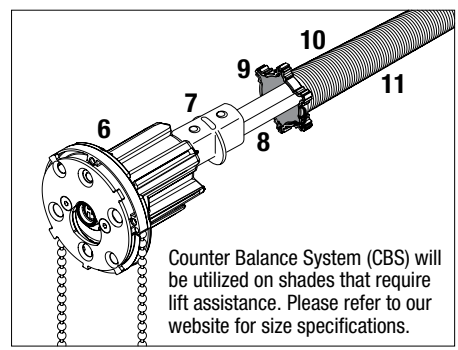
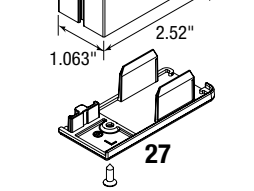
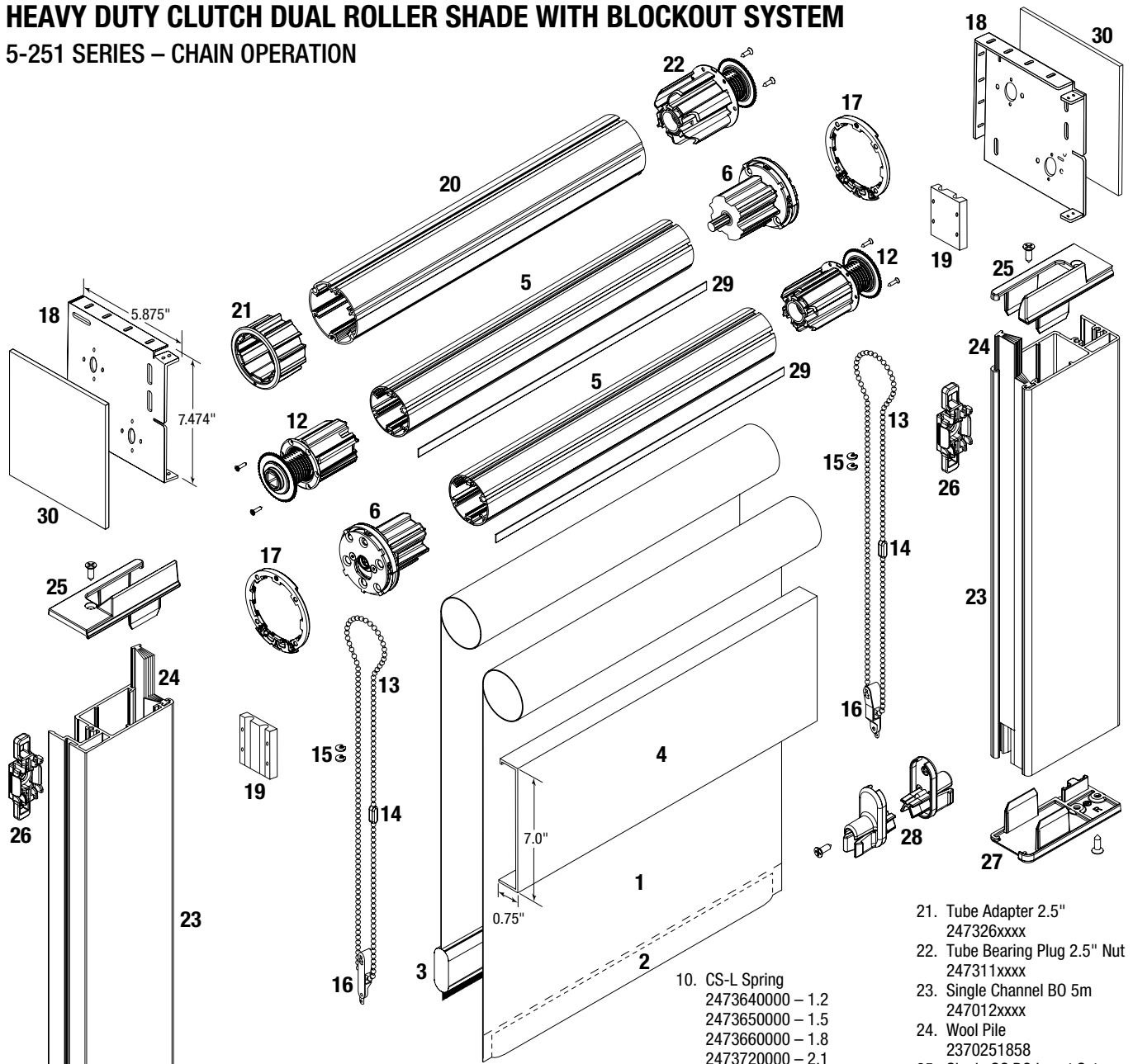
OPTIONAL COMPONENTS:

22. Detachable Spline
2471580000 – Flat
2471590000 – Round
23. Bracket End Plate
RC437000 – Anodized
RC437048 – Black
RC437350 – Vanilla
RC437785 – White
RC437864 – Bronze

xxxx = 4 digit color code. See Color Chart on page 4 for list of color codes.

HEAVY DUTY CLUTCH DUAL ROLLER SHADE WITH BLOCKOUT SYSTEM

5-251 SERIES – CHAIN OPERATION



STANDARD COMPONENTS:

- 1. Fabric
- 2. Sealed Hembar
- 3. RB500 Bottom Bar
247011xxxx
- 4. 7" Fascia
RC511000 – Anodized
RC511048 – Black
RC511350 – Vanilla
RC511785 – White
RC511864 – Bronze
- 5. Tube 2.0"
247060xxxx – Tape 5m
- 6. Clutch 1:1
247357xxxx
- 7. CS-L Connector
2473671601
- 8. Driving Tube Alu 12 mm
1840497080
- 9. CS-L Tensioner
2473691601

- 10. CS-L Spring
2473640000 – 1.2
2473650000 – 1.5
2473660000 – 1.8
2473720000 – 2.1
2473730000 – 2.4
- 11. CS-L Rubber Tube (Under Spring)
2473681858
- 12. Tube Bearing Plug 2.0" Nut
247310xxxx
- 13. Chain .175" Stainless Steel
2474180025
- 14. Chain Connector
2474180026
- 15. Bead Chain Stop
2474180027
- 16. Clear Plastic Chain Tensioner
RC445401
- 17. Bracket Adapter 55/75
247355xxxx
- 18. UM Bracket
RC435000 – Left
RC436000 – Right
- 19. Chain Guide
RC445160
- 20. Tube 2.5"
247052xxxx – Tape 5m
247053xxxx – Spline 5m

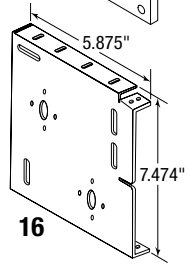
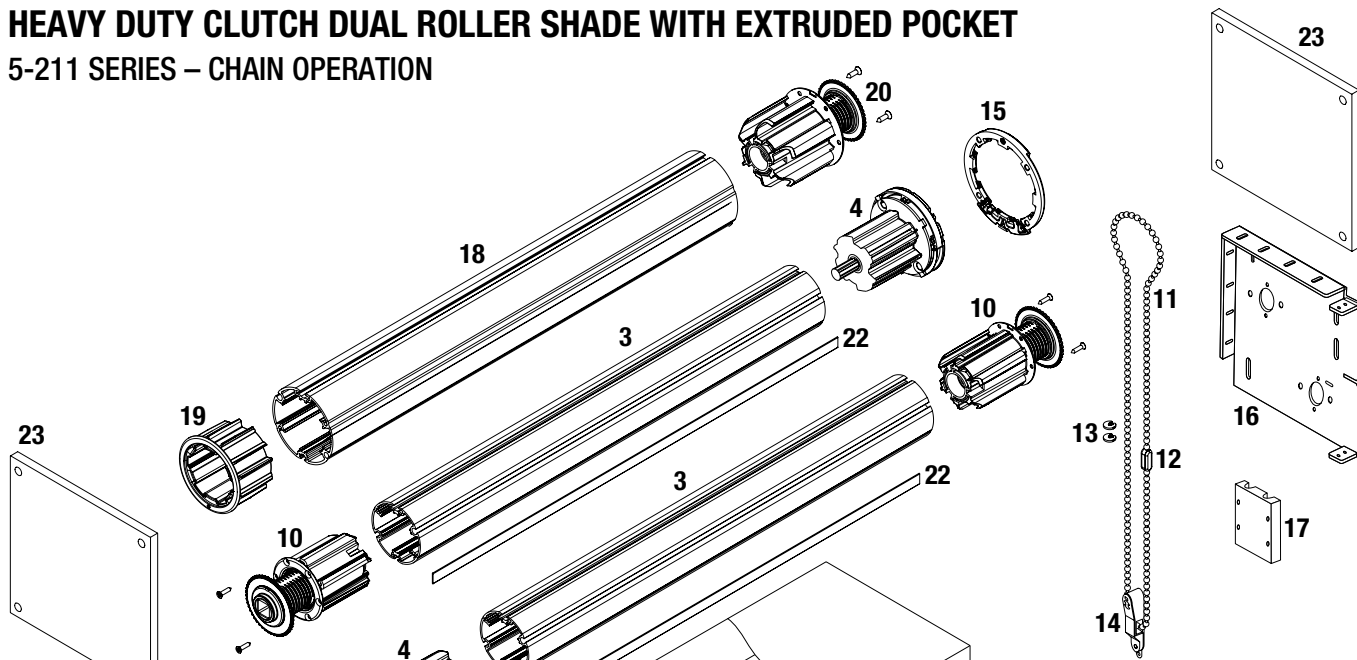
- 21. Tube Adapter 2.5"
247326xxxx
- 22. Tube Bearing Plug 2.5" Nut
247311xxxx
- 23. Single Channel BO 5m
247012xxxx
- 24. Wool Pile
2370251858
- 25. Single SC BO Insert Sets
247168xxxx
- 26. Side Channel Fixing Set
2471630000
- 27. Single SG BO End Cap Set
247169xxxx
- 28. B. Rail End Cap 13x30 S. Channel
247167xxxx

OPTIONAL COMPONENTS:

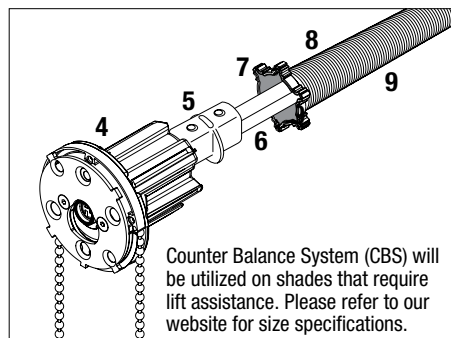
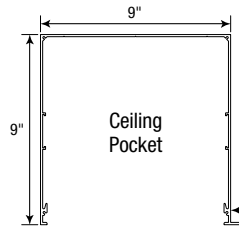
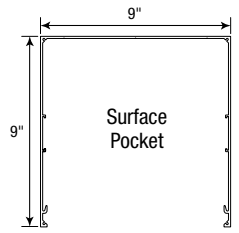
- 29. Detachable Spline
2471580000 – Flat
2471590000 – Round
 - 30. Bracket End Plate
RC437000 – Anodized
RC437048 – Black
RC437350 – Vanilla
RC437785 – White
RC437864 – Bronze
- xxxx = 4 digit color code.
See Color Chart on page 4 for list of color codes.

HEAVY DUTY CLUTCH DUAL ROLLER SHADE WITH EXTRUDED POCKET

5-211 SERIES – CHAIN OPERATION



POCKET PROFILES:

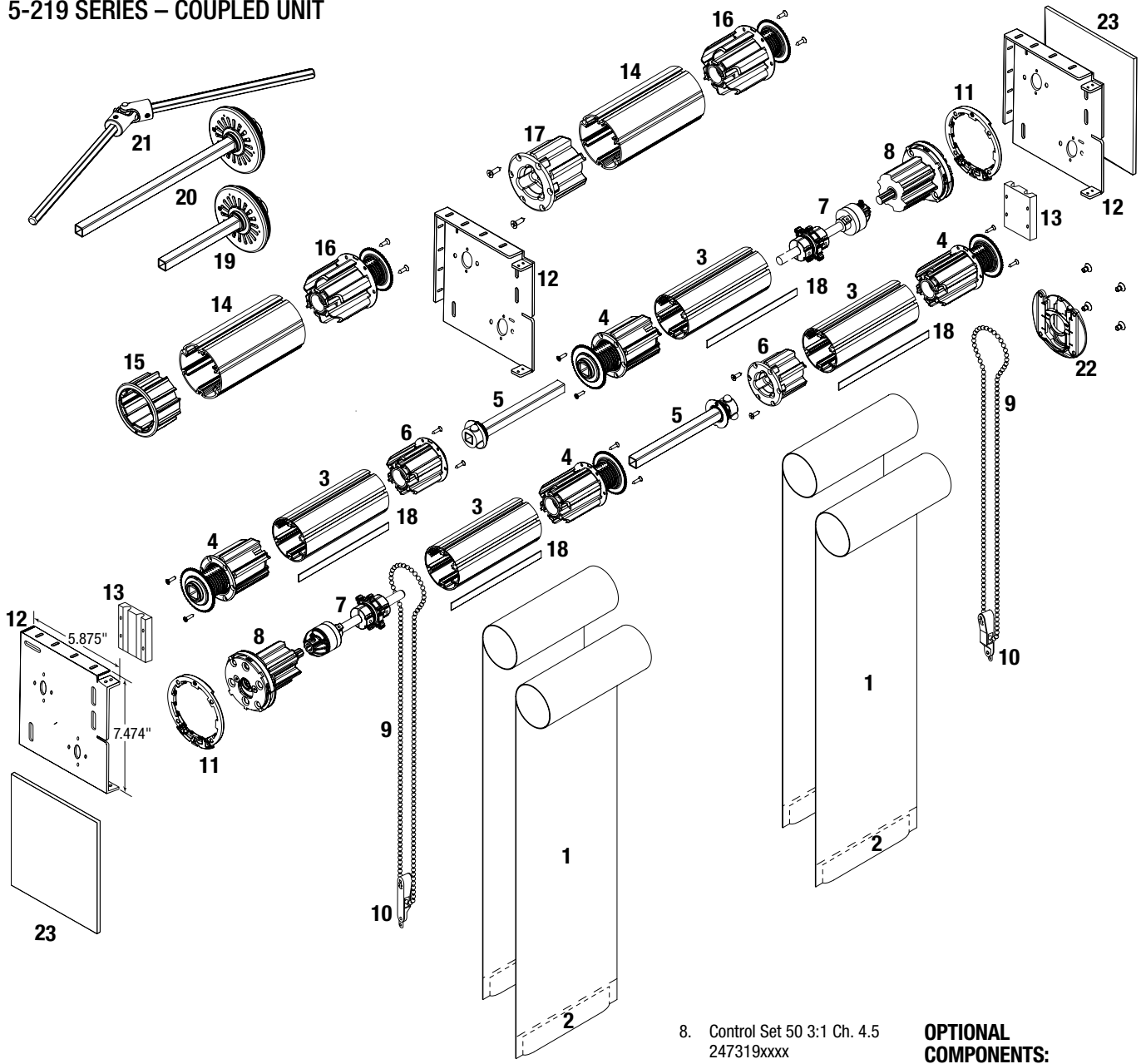


Counter Balance System (CBS) will be utilized on shades that require lift assistance. Please refer to our website for size specifications.

- 10. Tube Bearing Plug 2.0" Nut
247310xxxx
 - 11. Chain .175" Stainless Steel
2474180025
 - 12. Chain Connector
2474180026
 - 13. Bead Chain Stop
2474180027
 - 14. Clear Plastic Chain Tensioner
RC445401
 - 15. Bracket Adapter 55/75
247355xxxx
 - 16. UM Bracket
RC435000 – Left
RC436000 – Right
 - 17. Chain Guide
RC445160
 - 18. Tube 2.5"
247052xxxx – Tape 5m
247053xxxx – Spline 5m
 - 19. Tube Adapter 2.5"
247326xxxx
 - 20. Tube Bearing Plug 2.5" Nut
247311xxxx
 - 21. 9" Extruded Pocket
RC516000 – Surface Pocket Anodized
RC516675 – Surface Pocket White
RC516xxx – Surface Pocket Custom Color
RC517000 – Ceiling Pocket Anodized
RC517675 – Ceiling Pocket White
RC517xxx – Ceiling Pocket Custom Color
 - 22. 5" Pocket Bottom Closure
RC504000 – Anodized
RC504675 – White
- STANDARD COMPONENTS:**
- 1. Fabric
 - 2. Sealed Hembar
 - 3. Tube 2.0"
247060xxxx – Tape 5m
 - 4. Clutch 1:1
247357xxxx
 - 5. CS-L Connector
2473671601
 - 6. Driving Tube Alu 12 mm
1840497080
 - 7. CS-L Tensioner
2473691601
 - 8. CS-L Spring
2473640000 – 1.2
2473650000 – 1.5
2473660000 – 1.8
2473720000 – 2.1
2473730000 – 2.4
 - 9. CS-L Rubber Tube (Under Spring)
2473681858
- OPTIONAL COMPONENTS:**
- 23. 9" Pocket End Cap
RC518000 – Anodized
RC518675 – White
RC518xxx – Custom Color
 - 24. Detachable Spline
2471580000 – Flat
2471590000 – Round
- xxxx = 4 digit color code.
See Color Chart on page 4 for list of color codes.

HEAVY DUTY CLUTCH SYSTEM DUAL COUPLED

5-219 SERIES – COUPLED UNIT



STANDARD COMPONENTS:

- 1. Fabric
- 2. Sealed Hembar
- 3. Tube 2.0"
247060xxxx – Tape 5m
- 4. Tube Bearing Plug 50 Nut
247310xxxx
- 5. Connector Set 50 5.90"
247322xxxx
- 6. Tube Plug Connector
247315xxxx – 50-15
247317xxxx – 50
- 7. Auto Stop 2.0"/2.5"
2473281601

- 8. Control Set 50 3:1 Ch. 4.5
247319xxxx
- 9. Chain .175" Stainless Steel
2474180025
- 10. Clear Plastic Chain Tensioner
RC445401
- 11. Bracket Adapter 55/75
247355xxxx
- 12. UM Bracket
RC435000 – Left
RC436000 – Right
- 13. Chain Guide
RC445160
- 14. Tube 2.5"
247052xxxx – Tape 5m
247053xxxx – Spline 5m
- 15. Tube Adapter 2.5"
247326xxxx
- 16. Tube Bearing Plug 2.5" Nut
247311xxxx
- 17. Tube Plug Connector
247316xxxx – 62-15
247318xxxx – 62

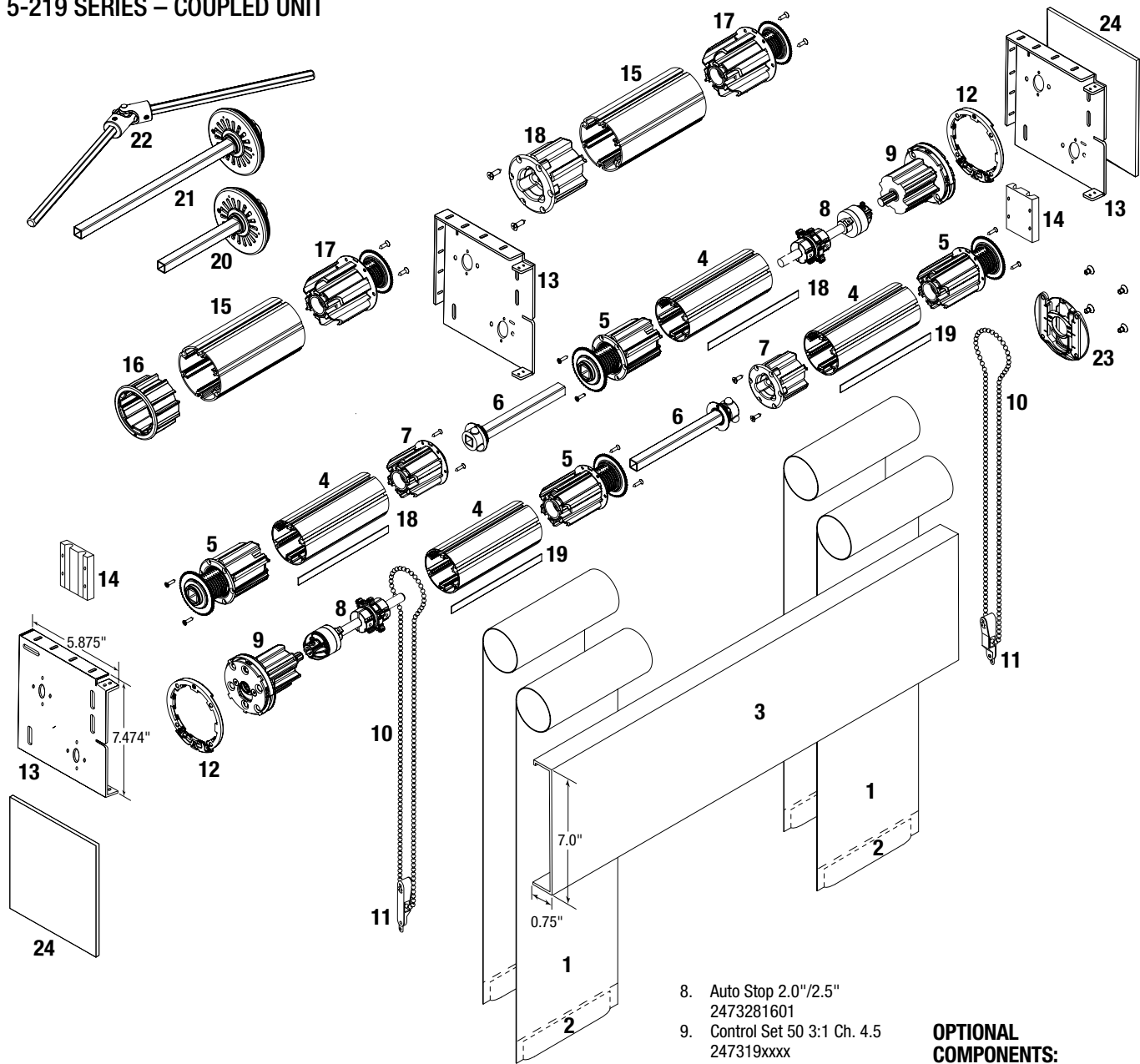
OPTIONAL COMPONENTS:

- 18. Detachable Spline
2471580000 – Flat
2471590000 – Round
- 19. Aligner Set 50 5.9"
247323xxxx
- 20. Aligner Set 50 11.81"
247329xxxx
- 21. Joint 45° L
2473210000
- 22. Leveler 2.0"
247344xxxx
- 23. Bracket End Plate
RC437000 – Anodized
RC437048 – Black
RC437350 – Vanilla
RC437785 – White
RC437864 – Bronze

xxxx = 4 digit color code.
See Color Chart on page 4
for list of color codes.

HEAVY DUTY CLUTCH SYSTEM DUAL COUPLED ROLLER SHADE WITH FASCIA

5-219 SERIES – COUPLED UNIT



STANDARD COMPONENTS:

1. Fabric
2. Sealed Hembar
3. 7" Fascia
- RC511000 – Anodized
- RC511048 – Black
- RC511350 – Vanilla
- RC511785 – White
- RC511864 – Bronze
4. Tube 2.0"
- 247060xxxx – Tape 5m
- 247310xxxx – Spline 5m
5. Tube Bearing Plug 50 Nut
- 247310xxxx
6. Connector Set 50 5.90"
- 247322xxxx
7. Tube Plug Connector
- 247315xxxx – 50-15
- 247317xxxx – 50

8. Auto Stop 2.0"/2.5"
- 2473281601
9. Control Set 50 3:1 Ch. 4.5
- 247319xxxx
10. Chain .175" Stainless Steel
- 2474180025
11. Clear Plastic Chain Tensioner
- RC445401
12. Bracket Adapter 55/75
- 247355xxxx
13. UM Bracket
- RC435000 – Left
- RC436000 – Right
14. Chain Guide
- RC445160
15. Tube 2.5"
- 247052xxxx – Tape 5m
- 247053xxxx – Spline 5m
16. Tube Adapter 2.5"
- 247326xxxx
17. Tube Bearing Plug 2.5" Nut
- 247311xxxx
18. Tube Plug Connector
- 247316xxxx – 62-15
- 247318xxxx – 62

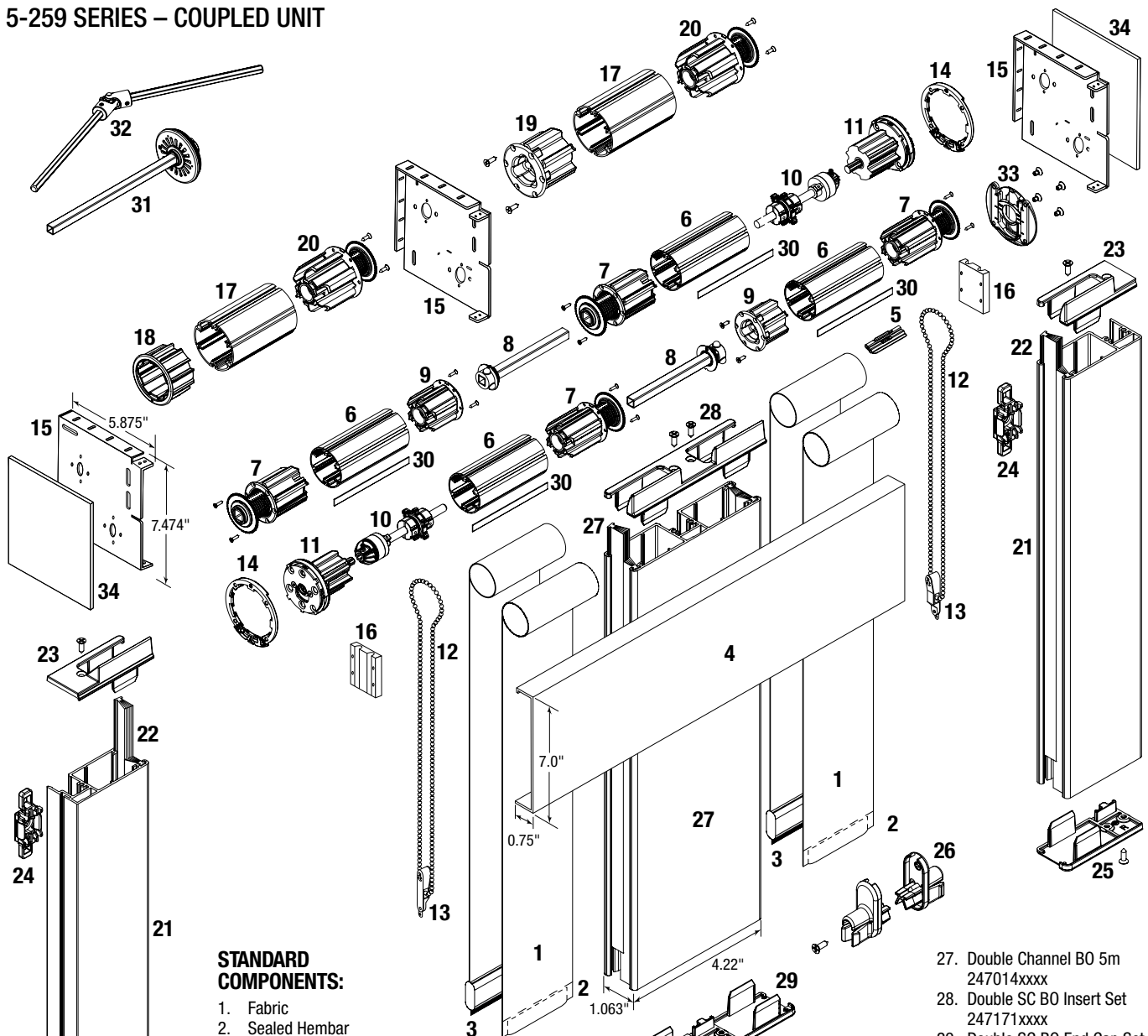
OPTIONAL COMPONENTS:

19. Detachable Spline
- 2471580000 – Flat
- 2471590000 – Round
20. Aligner Set 50 5.9"
- 247323xxxx
21. Aligner Set 50 11.81"
- 247329xxxx
22. Joint 45° L
- 2473210000
23. Leveler 2.0"
- 247344xxxx
24. Bracket End Plate
- RC437000 – Anodized
- RC437048 – Black
- RC437350 – Vanilla
- RC437785 – White
- RC437864 – Bronze

xxxx = 4 digit color code.
See Color Chart on page 4
for list of color codes.

HEAVY DUTY CLUTCH DUAL COUPLED ROLLER SHADE WITH BLOCKOUT SYSTEM

5-259 SERIES – COUPLED UNIT



STANDARD COMPONENTS:

- 1. Fabric
- 2. Sealed Hembar
- 3. RB500 Bottom Bar
247011xxxx
- 4. 7" Fascia
RC511000 – Anodized
RC511048 – Black
RC511350 – Vanilla
RC511785 – White
RC511864 – Bronze
- 5. Profile Connector L
2473360002
- 6. Tube 2.0"
247060xxxx – Tape 5m
- 7. Tube Bearing Plug 50 Nut
247310xxxx
- 8. Connector Set 50 5.90"
247322xxxx
- 9. Tube Plug Connector
247315xxxx – 50-15
247317xxxx – 50
- 10. Auto Stop 2.0"/2.5"
2473281601
- 11. Control Set 50 3:1 Ch. 4.5
247319xxxx

- 12. Chain .175" Stainless Steel
2474180025
- 13. Clear Plastic Chain Tensioner
RC445401
- 14. Bracket Adapter 55/75
247355xxxx
- 15. UM Bracket
RC435000 – Left
RC436000 – Right
- 16. Chain Guide
RC445160
- 17. Tube 2.5"
247052xxxx – Tape 5m
247053xxxx – Spline 5m
- 18. Tube Adapter 2.5"
247326xxxx

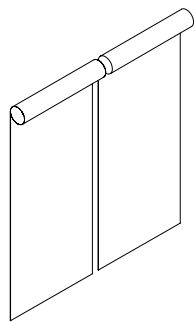
- 27. Double Channel B0 5m
247014xxxx
- 28. Double SC B0 Insert Set
247171xxxx
- 29. Double SG B0 End Cap Set
247170xxxx

OPTIONAL COMPONENTS:

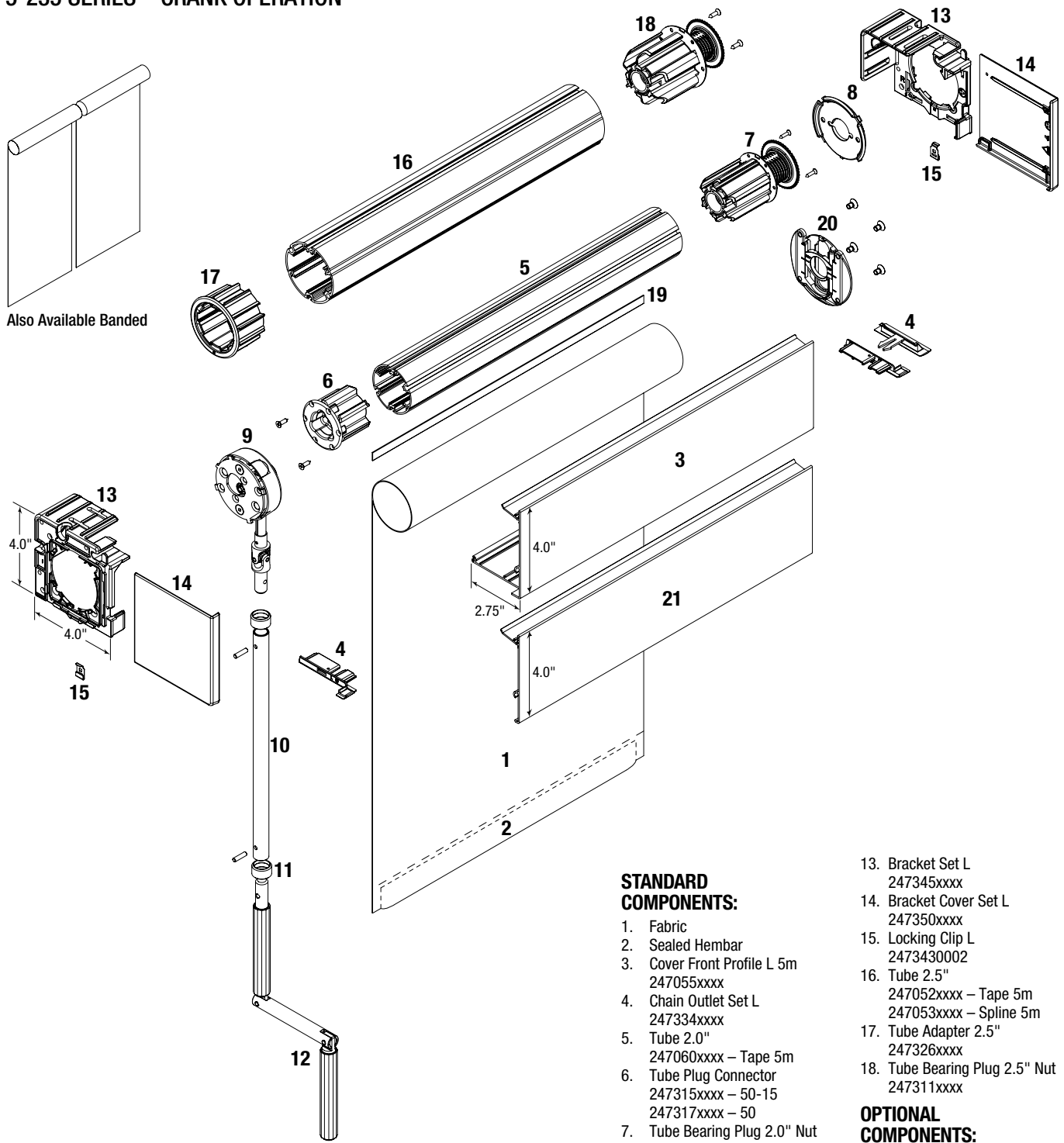
- 30. Detachable Spline
2471580000 – Flat
2471590000 – Round
 - 31. Aligner Set 50 11.81"
247329xxxx
 - 32. Joint 45° L
2473210000
 - 33. Leveler 2.0"
247344xxxx
 - 34. Bracket End Plate
RC437000 – Anodized
RC437048 – Black
RC437350 – Vanilla
RC437785 – White
RC437864 – Bronze
- xxxx = 4 digit color code.
See Color Chart on page 4
for list of color codes.

HEAVY DUTY CRANK OPERATED WITH FASCIA

5-235 SERIES – CRANK OPERATION



Also Available Banded



STANDARD COMPONENTS:

- 1. Fabric
- 2. Sealed Hembar
- 3. Cover Front Profile L 5m
247055xxxx
- 4. Chain Outlet Set L
247334xxxx
- 5. Tube 2.0"
247060xxxx – Tape 5m
- 6. Tube Plug Connector
247315xxxx – 50-15
247317xxxx – 50
- 7. Tube Bearing Plug 2.0" Nut
247310xxxx
- 8. Plate L No.2
2473480003
- 9. Crank Drive L
247324xxxx – LH
247340xxxx – RH
- 10. Crank Rod
180107xxxx
- 11. Crank Rod Collar + pin OB
1801130000
- 12. Crank 0.55" OB
1801010000

- 13. Bracket Set L
247345xxxx
- 14. Bracket Cover Set L
247350xxxx
- 15. Locking Clip L
2473430002
- 16. Tube 2.5"
247052xxxx – Tape 5m
247053xxxx – Spline 5m
- 17. Tube Adapter 2.5"
247326xxxx
- 18. Tube Bearing Plug 2.5" Nut
247311xxxx

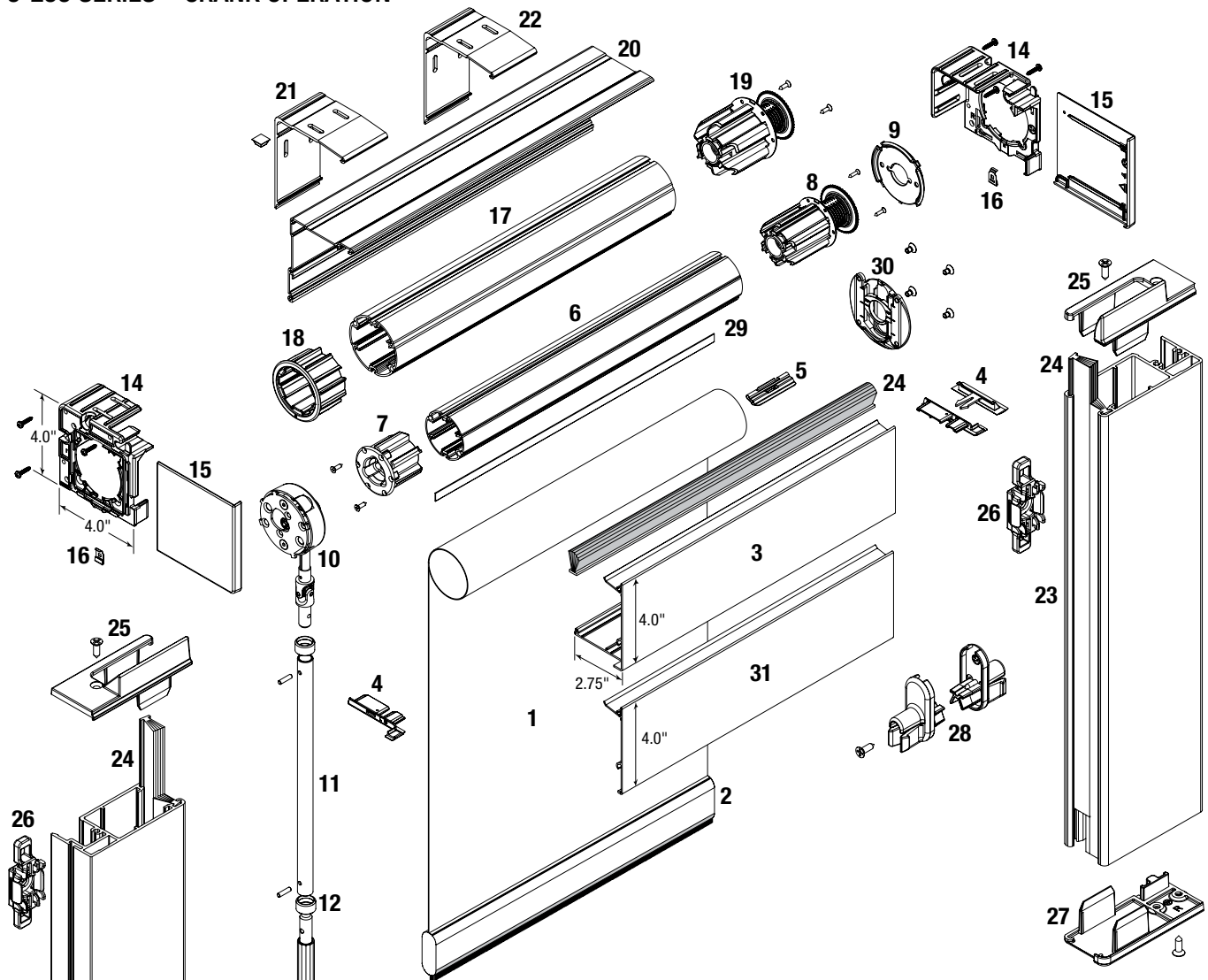
OPTIONAL COMPONENTS:

- 19. Detachable Spline
2471580000 – Flat
2471590000 – Round
- 20. Leveler 2.0"
247344xxxx
- 21. Reverse Roll Cover Profile
L 5m
247058xxxx

xxxx = 4 digit color code.
See Color Chart on page 4
for list of color codes.

HEAVY DUTY CRANK OPERATED WITH BLOCKOUT SYSTEM

5-255 SERIES – CRANK OPERATION



STANDARD COMPONENTS:

- | | |
|---|--|
| 1. Fabric | 12. Crank Rod Collar + pin OB
1801130000 |
| 2. RB500 Bottom Bar
247011xxxx | 13. Crank 0.55" OB
1801010000 |
| 3. Cover Front Profile L 5m
247055xxxx | 14. Bracket Set L
247345xxxx |
| 4. Chain Outlet Set L
247334xxxx | 15. Bracket Cover Set L
247350xxxx |
| 5. Profile Connector L
2473360002 | 16. Locking Clip L
2473430002 |
| 6. Tube 2.0"
247060xxxx – Tape 5m | 17. Tube 2.5"
247052xxxx – Tape 5m |
| 7. Tube Plug Connector
247315xxxx – 50-15
247317xxxx – 50 | 18. Tube Adapter 2.5"
247326xxxx |
| 8. Tube Bearing Plug 2.0" Nut
247310xxxx | 19. Tube Bearing Plug 2.5" Nut
247311xxxx |
| 9. Plate L No.2
2473480003 | 20. Closing Profile L 5m
247056xxxx |
| 10. Crank Drive L
247324xxxx – LH
247340xxxx – RH | 21. Installation Bracket L
Unfinished
2473420000 |
| 11. Crank Rod
180107xxxx | 22. Installation Bracket L
247341xxxx |

- | |
|---|
| 23. Side Channel BO 5m
247012xxxx |
| 24. Wool Pile
2370251858 |
| 25. Single SC BO Insert Set
247168xxxx |
| 26. Side Channel Fixing Set
2471630000 |
| 27. Single SG BO End Cap Set
247169xxxx |
| 28. B. Rail End Cap 13x30 S. Ch
247167xxxx |

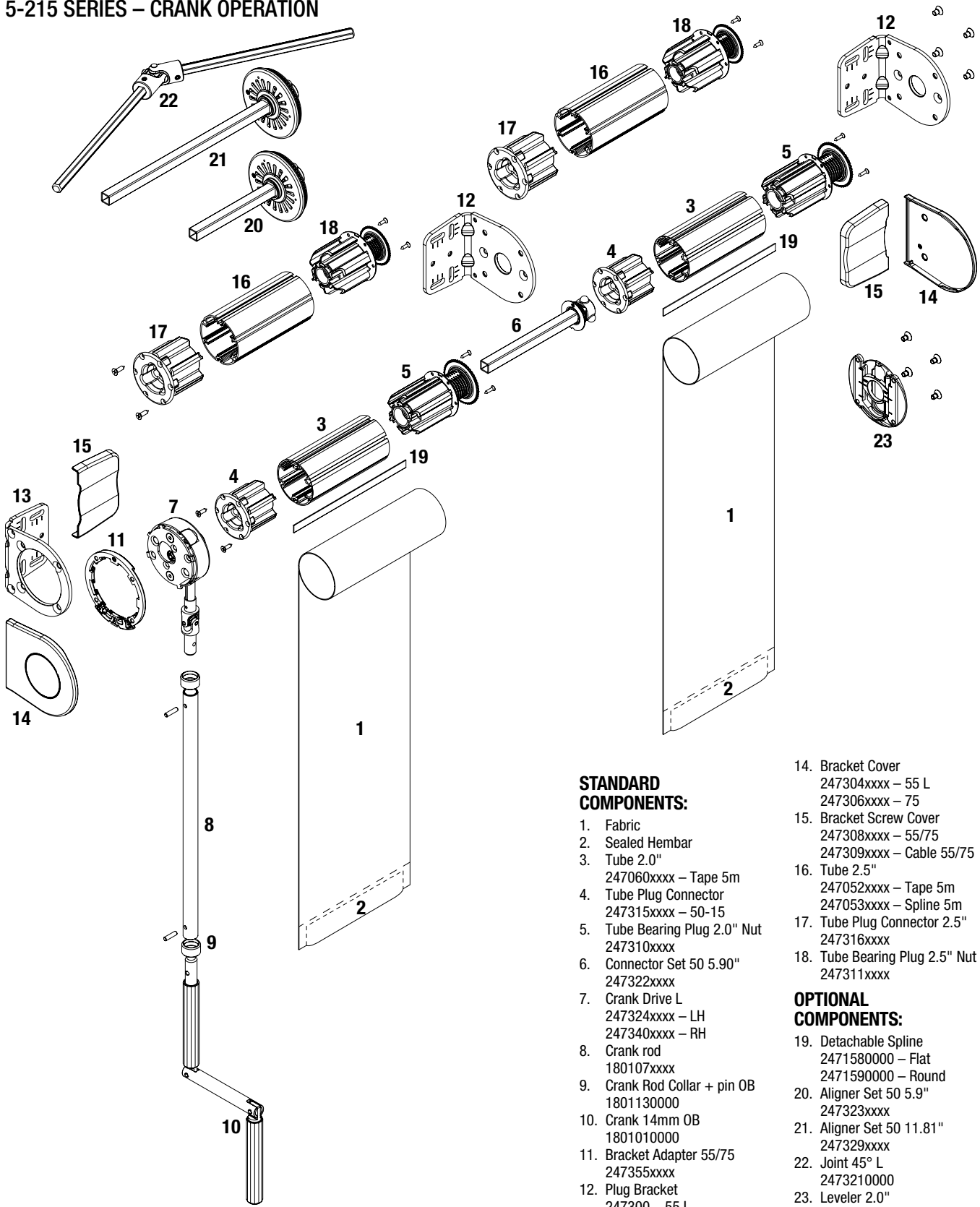
OPTIONAL COMPONENTS:

- | |
|--|
| 29. Detachable Spline
2471580000 – Flat
2471590000 – Round |
| 30. Leveler 2.0"
247344xxxx |
| 31. Reverse Roll Cover Profile
L 5m
247058xxxx |

xxxx = 4 digit color code.
See Color Chart on page 4
for list of color codes.

Note: End Mount Installations will not receive a Bracket Cover Set and must be specified when ordering.

HEAVY DUTY CRANK COUPLED
5-215 SERIES – CRANK OPERATION



STANDARD COMPONENTS:

- 1. Fabric
- 2. Sealed Hembar
- 3. Tube 2.0"
247060xxxx – Tape 5m
- 4. Tube Plug Connector
247315xxxx – 50-15
- 5. Tube Bearing Plug 2.0" Nut
247310xxxx
- 6. Connector Set 50 5.90"
247322xxxx
- 7. Crank Drive L
247324xxxx – LH
247340xxxx – RH
- 8. Crank rod
180107xxxx
- 9. Crank Rod Collar + pin OB
1801130000
- 10. Crank 14mm OB
1801010000
- 11. Bracket Adapter 55/75
247355xxxx
- 12. Plug Bracket
247300 – 55 L
247302 – 75 L
- 13. Clutch Bracket
247301xxxx – 55 L
247303xxxx – 75 L

- 14. Bracket Cover
247304xxxx – 55 L
247306xxxx – 75
- 15. Bracket Screw Cover
247308xxxx – 55/75
247309xxxx – Cable 55/75
- 16. Tube 2.5"
247052xxxx – Tape 5m
247053xxxx – Spline 5m
- 17. Tube Plug Connector 2.5"
247316xxxx
- 18. Tube Bearing Plug 2.5" Nut
247311xxxx

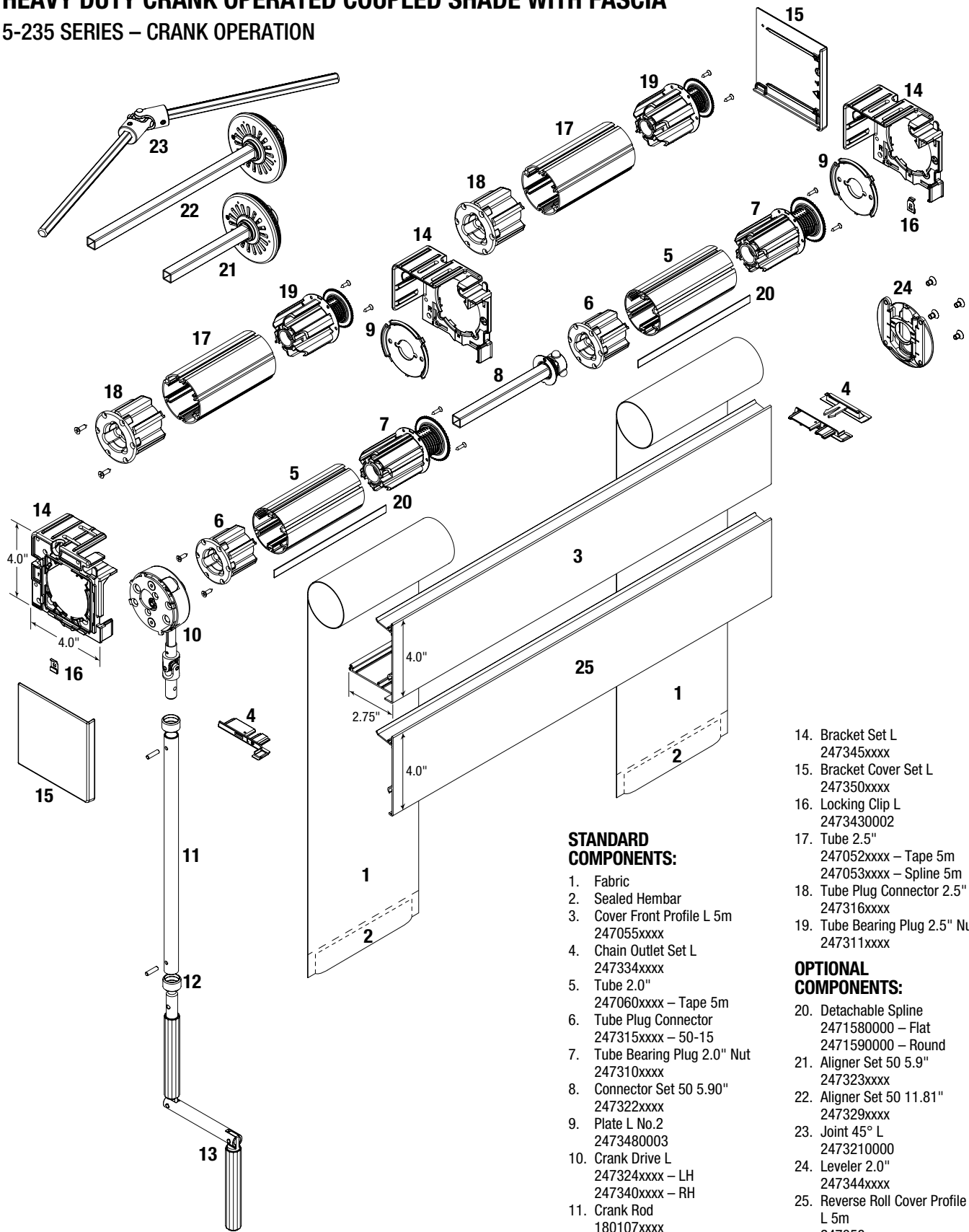
OPTIONAL COMPONENTS:

- 19. Detachable Spline
2471580000 – Flat
2471590000 – Round
- 20. Aligner Set 50 5.9"
247323xxxx
- 21. Aligner Set 50 11.81"
247329xxxx
- 22. Joint 45° L
2473210000
- 23. Leveler 2.0"
247344xxxx

xxxx = 4 digit color code.
 See Color Chart on page 4
 for list of color codes.

HEAVY DUTY CRANK OPERATED COUPLED SHADE WITH FASCIA

5-235 SERIES – CRANK OPERATION



Note: End Mount Installations will not receive a Bracket Cover Set and must be specified when ordering.

STANDARD COMPONENTS:

1. Fabric
2. Sealed Hembar
3. Cover Front Profile L 5m
247055xxxx
4. Chain Outlet Set L
247334xxxx
5. Tube 2.0"
247060xxxx – Tape 5m
Tube Plug Connector
247315xxxx – 50-15
6. Tube Bearing Plug 2.0" Nut
247310xxxx
7. Connector Set 50 5.90"
247322xxxx
8. Plate L No.2
2473480003
9. Crank Drive L
247324xxxx – LH
247340xxxx – RH
10. Crank Rod
180107xxxx
11. Crank Rod Collar + pin OB
1801130000
12. Crank 0.55" OB
1801010000

14. Bracket Set L
247345xxxx
15. Bracket Cover Set L
247350xxxx
16. Locking Clip L
2473430002
17. Tube 2.5"
247052xxxx – Tape 5m
247053xxxx – Spline 5m
18. Tube Plug Connector 2.5"
247316xxxx
19. Tube Bearing Plug 2.5" Nut
247311xxxx

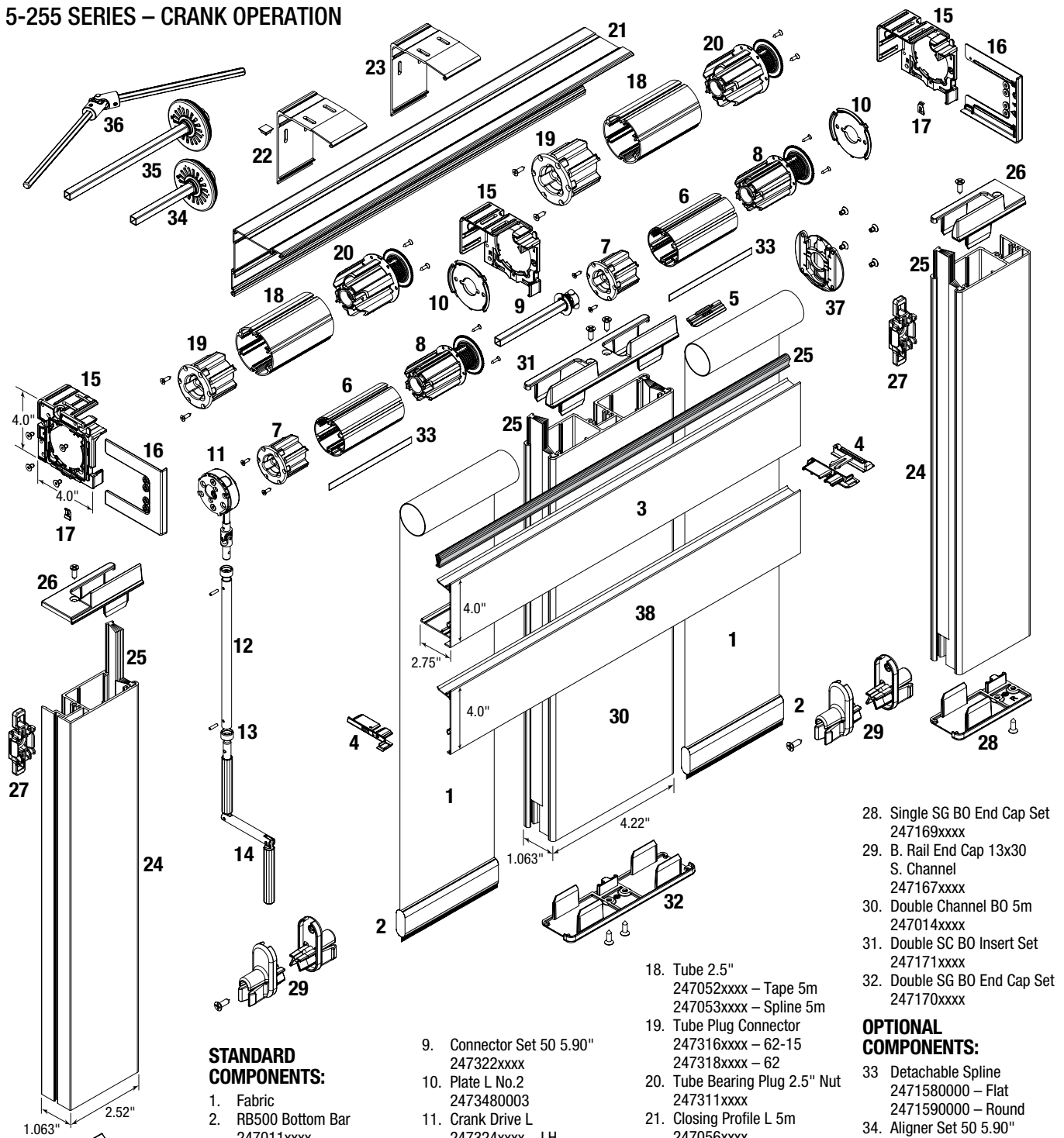
OPTIONAL COMPONENTS:

20. Detachable Spline
2471580000 – Flat
2471590000 – Round
21. Aligner Set 50 5.9"
247323xxxx
22. Aligner Set 50 11.81"
247329xxxx
23. Joint 45° L
2473210000
24. Leveler 2.0"
247344xxxx
25. Reverse Roll Cover Profile
L 5m
247058xxxx

xxxx = 4 digit color code.
See Color Chart on page 4
for list of color codes.

HEAVY DUTY CRANK OPERATED COUPLED SHADE WITH BLOCKOUT SYSTEM

5-255 SERIES – CRANK OPERATION



STANDARD COMPONENTS:

- 1. Fabric
- 2. RB500 Bottom Bar
247011xxxx
- 3. Cover Front Profile L 5m
247055xxxx
- 4. Chain Outlet Set L
247334xxxx
- 5. Profile Connector L
2473360002
- 6. Tube 2.0"
247060xxxx – Tape 5m
- 7. Tube Plug Connector
247315xxxx – 50-15
247317xxxx – 50
- 8. Tube Bearing Plug 2.0" Nut
247310xxxx
- 9. Connector Set 50 5.90"
247322xxxx
2473480003
- 10. Plate L No.2
2473480003
- 11. Crank Drive L
247324xxxx – LH
247340xxxx – RH
- 12. Crank Rod
180107xxxx
- 13. Crank Rod Collar + pin OB
1801130000
- 14. Crank 0.55" OB
1801010000
- 15. Bracket Set L
247345xxxx
- 16. Bracket Cover Set L Coupled
247331xxxx
- 17. Locking Clip L
2473430002

- 18. Tube 2.5"
247052xxxx – Tape 5m
247053xxxx – Spline 5m
- 19. Tube Plug Connector
247316xxxx – 62-15
247318xxxx – 62
- 20. Tube Bearing Plug 2.5" Nut
247311xxxx
- 21. Closing Profile L 5m
247056xxxx
- 22. Installation Bracket L Unfinished
2473420000
- 23. Installation Bracket L
247341xxxx
- 24. Single Channel BO 5m
247012xxxx
- 25. Wool Pile
2370251858
- 26. Single SC BO Insert Sets
247168xxxx
- 27. Side Channel Fixing Set
2471630000

- 28. Single SG BO End Cap Set
247169xxxx
- 29. B. Rail End Cap 13x30 S. Channel
247167xxxx
- 30. Double Channel BO 5m
247014xxxx
- 31. Double SC BO Insert Set
247171xxxx
- 32. Double SG BO End Cap Set
247170xxxx

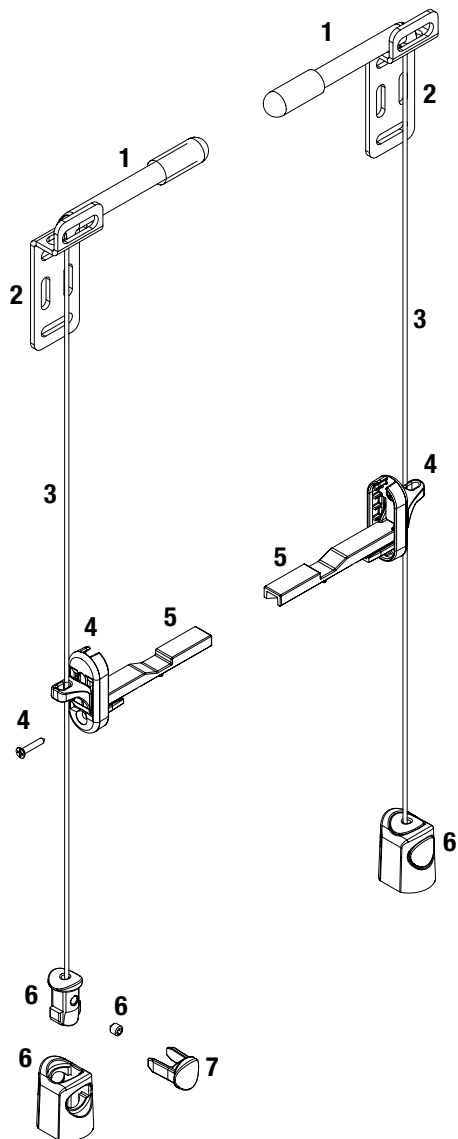
OPTIONAL COMPONENTS:

- 33. Detachable Spline
2471580000 – Flat
2471590000 – Round
 - 34. Aligner Set 50 5.90"
247323xxxx
 - 35. Aligner Set 50 11.81"
247329xxxx
 - 36. Joint 45° L
2473210000
 - 37. Leveler 2.0"
247344xxxx
 - 38. Reverse Roll Cover Profile L 5m
247058xxxx
- xxxx = 4 digit color code.
See Color Chart on page 4 for list of color codes.

Note: End Mount Installations will not receive a Bracket Cover Set and must be specified when ordering.

CABLE GUIDES

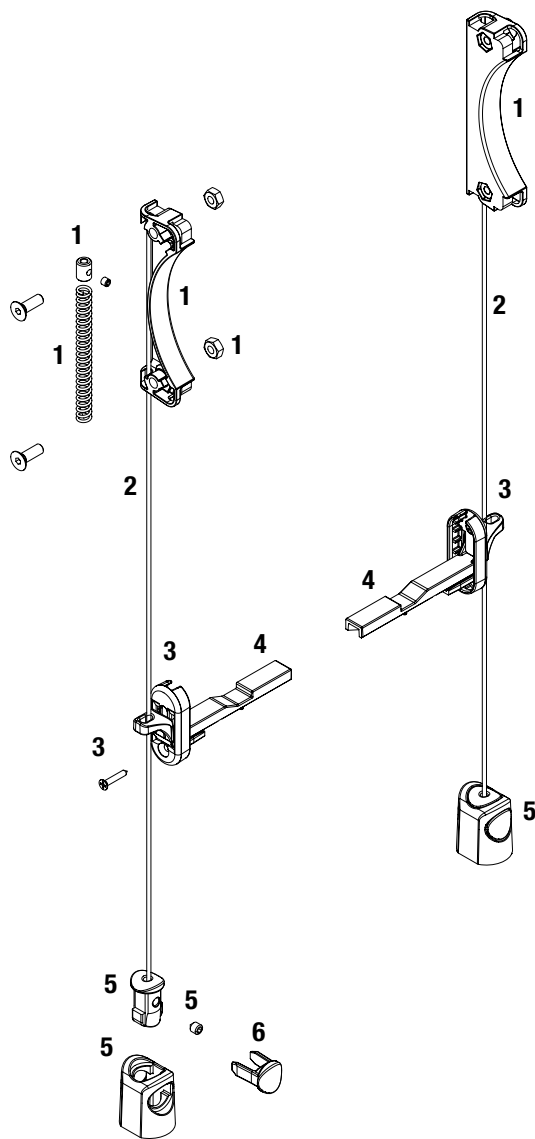
STANDARD



STANDARD COMPONENTS:

1. Cable Tensioner
245339XXXX
2. Side Guiding Bracket
247172XXXX – 500
247181XXXX – Decorative
3. Side Guiding Cable
156012xxxx
245110xxxx – Steelwire Coated
4. B. Rail End Cap 13x30 Cable
247160xxxx
5. B. Rail Cable Guide
2471747178 – High
2471757178 – Low
6. Universal Cable Bracket
2471617060
7. Cable Bracket Cover Lock
247177xxxx

HEAVY DUTY



STANDARD COMPONENTS:

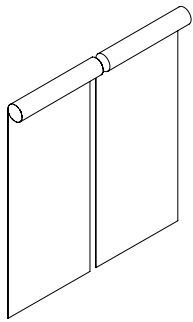
1. Cable Tensioner
247177XXXX
2. Side Guiding Cable
156012xxxx
245110xxxx – Steelwire Coated
2473250000
3. B. Rail End Cap 13x30 Cable
247160xxxx
4. B. Rail Cable Guide
2471747178 – High
2471757178 – Low
5. Universal Cable Bracket
2471617060
6. Cable Bracket Cover Lock
247177xxxx

Motorized Roller Shades

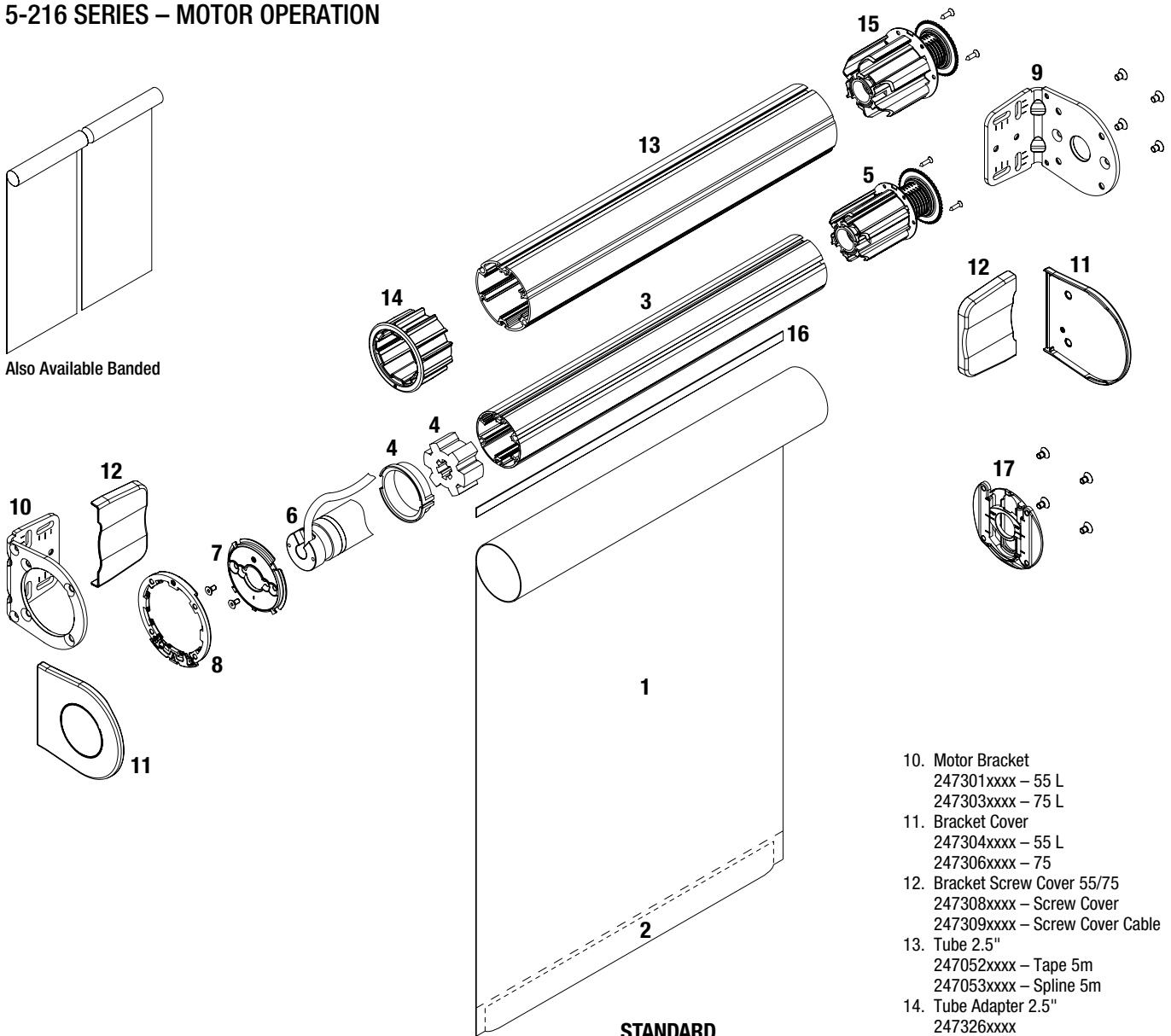


MOTORIZED ROLLER SHADE

5-216 SERIES – MOTOR OPERATION



Also Available Banded



STANDARD COMPONENTS:

1. Fabric
2. Sealed Hembar
3. Tube 2.0"
247060xxxx – Tape 5m
4. Crown and Drive
RC445156
– for HDC100S, HDC200S,
HDC100RQ, and HDC200RQ
5. Tube Bearing Plug 2.0" Nut
247310xxxx
6. Motor
24750010000 – HDC100S
24750020000 – HDC200S
24750030000 – HDC100RQ
24750040000 – HDC200RQ
7. Plate L No. 2
2473480003
8. Bracket Adapter 55/75
247355xxxx
9. Plug Bracket
247300xxxx – 55 L
247302xxxx – 75 L

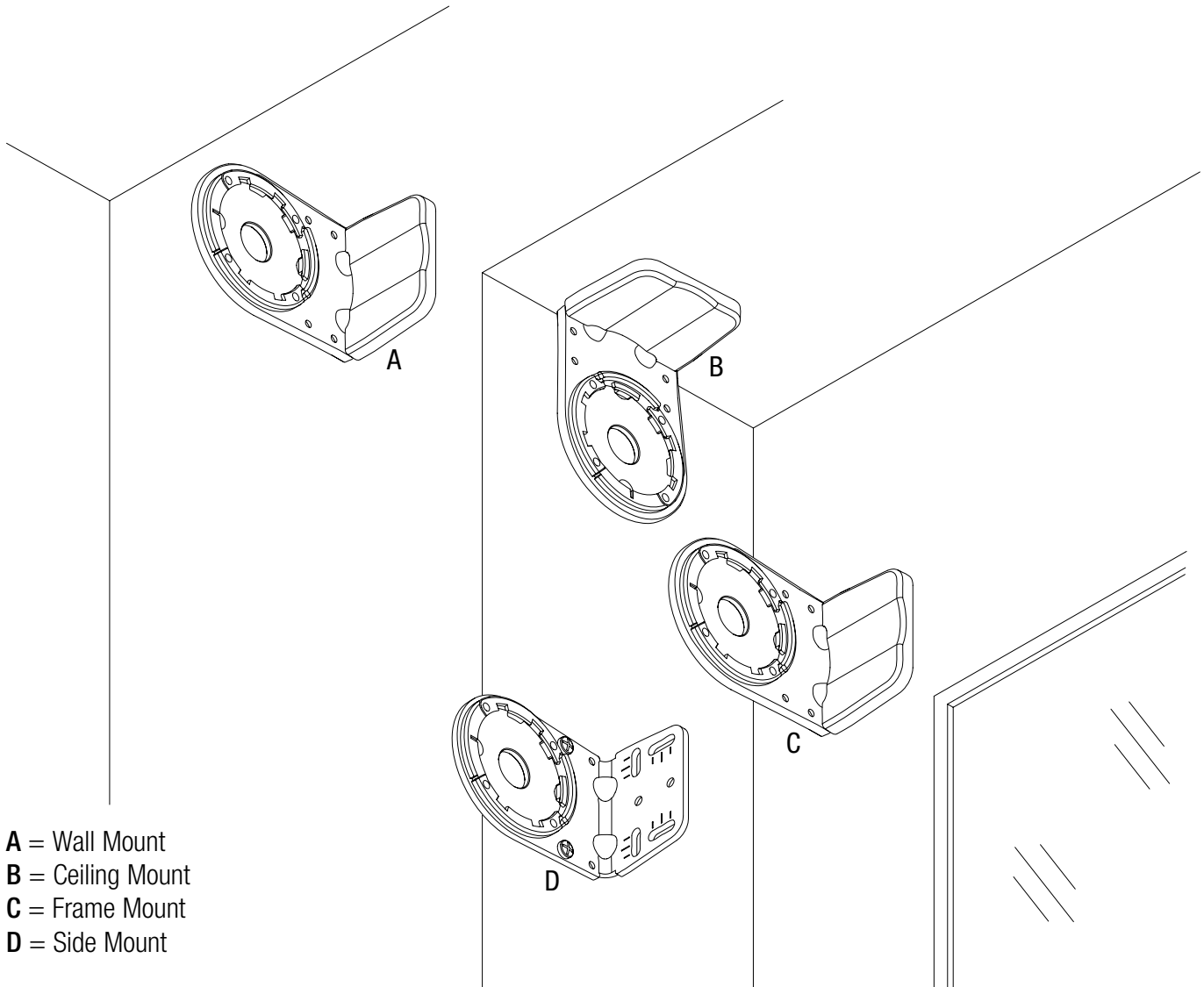
10. Motor Bracket
247301xxxx – 55 L
247303xxxx – 75 L
11. Bracket Cover
247304xxxx – 55 L
247306xxxx – 75
12. Bracket Screw Cover 55/75
247308xxxx – Screw Cover
247309xxxx – Screw Cover Cable
13. Tube 2.5"
247052xxxx – Tape 5m
247053xxxx – Spline 5m
14. Tube Adapter 2.5"
247326xxxx
15. Tube Bearing Plug 2.5" Nut
247311xxxx

OPTIONAL COMPONENTS:

16. Detachable Spline
2471580000 – Flat
2471590000 – Round
17. Leveler 2.0"
247344xxxx
4. Crown and Drive
RC445283 – for LS40
RC445067 – for ST50
RC445231 – for LT525
6. Motor
RC445284 – LS40
RC445286 – ST50 Standard
RC445285 – ST50 RTS
RC445208 – LT525 Standard
RC445230 – LT525 RTS

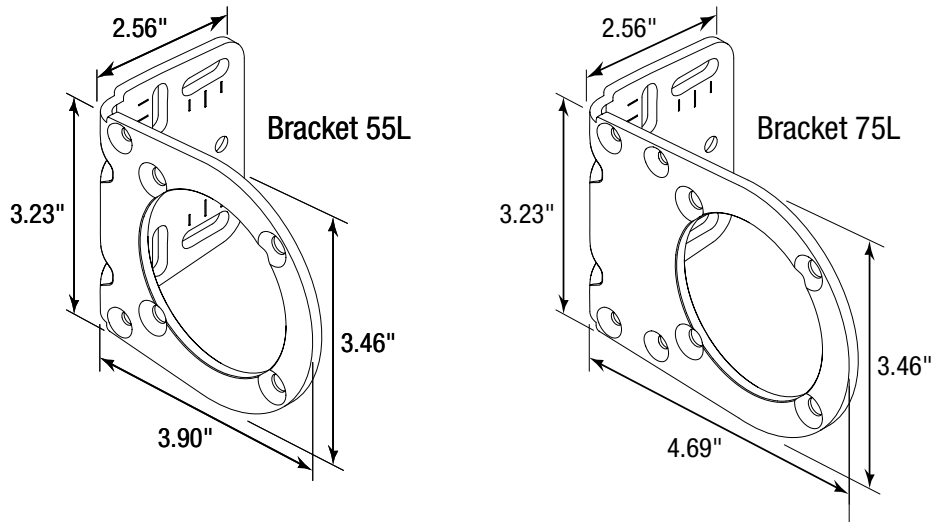
xxxx = 4 digit color code.
See Color Chart on page 4
for list of color codes.

MOTOR BRACKET MOUNTING LOCATIONS



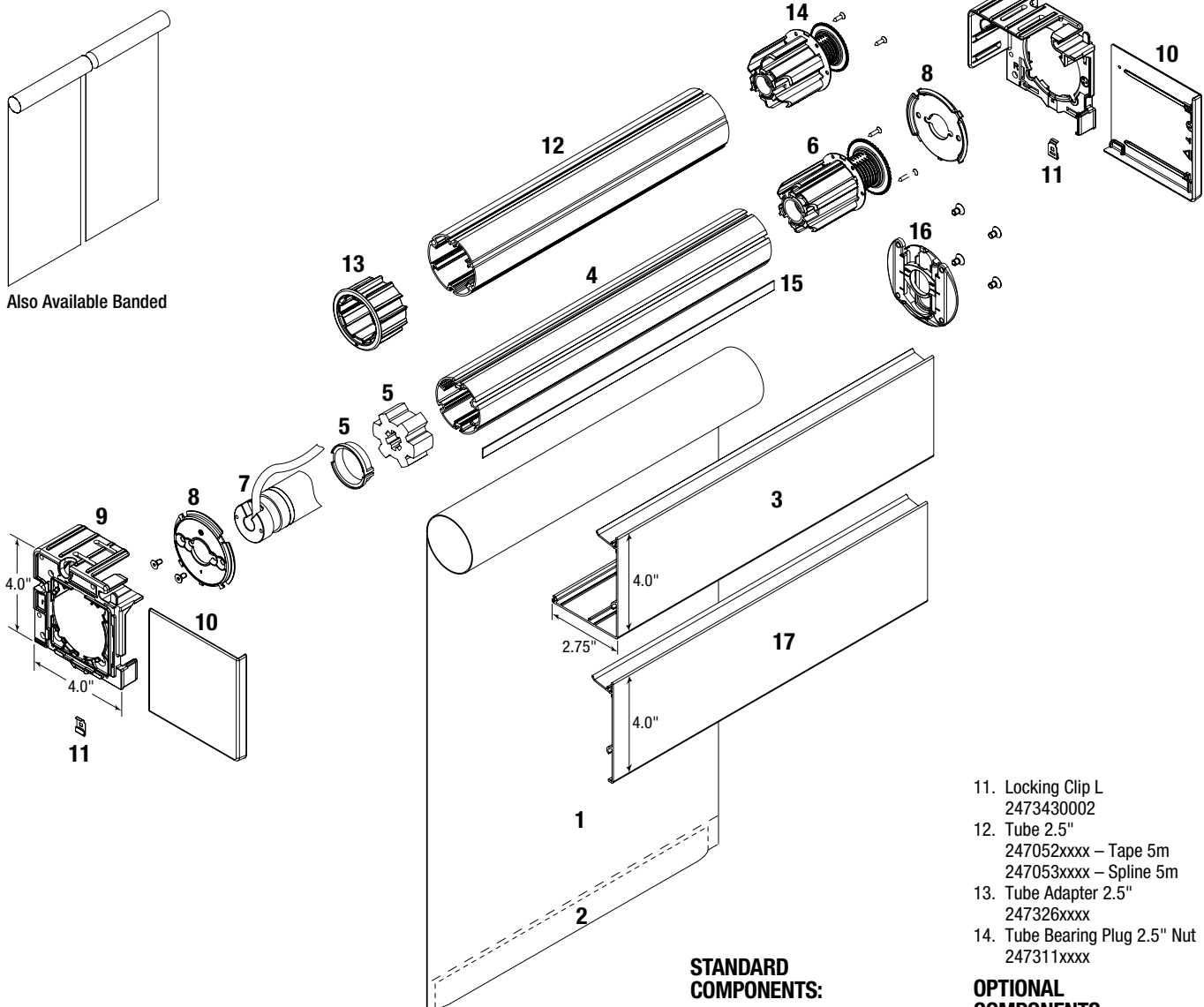
- A = Wall Mount
- B = Ceiling Mount
- C = Frame Mount
- D = Side Mount

MOTOR BRACKET DIMENSIONS

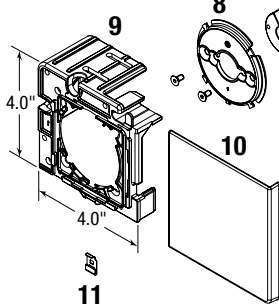


MOTORIZED ROLLER SHADE WITH FASCIA

5-236 SERIES – MOTOR OPERATION



Also Available Banded



STANDARD COMPONENTS:

1. Fabric
2. Sealed Hembar
3. Cover Front Profile L 5m
247055xxxx
4. Tube 2.0"
247060xxxx – Tape 5m
5. Crown and Drive
RC445156
– for HDC100S, HDC200S,
HDC100RQ, and HDC200RQ
6. Tube Bearing Plug 2.0" Nut
247310xxxx
7. Motor
24750010000 – HDC100S
24750020000 – HDC200S
24750030000 – HDC100RQ
24750040000 – HDC200RQ
8. Plate L No. 2
2473480003
9. Bracket Set L
247345xxxx
10. Bracket Cover Set L Motor
247330xxxx

11. Locking Clip L
2473430002
12. Tube 2.5"
247052xxxx – Tape 5m
247053xxxx – Spline 5m
13. Tube Adapter 2.5"
247326xxxx
14. Tube Bearing Plug 2.5" Nut
247311xxxx

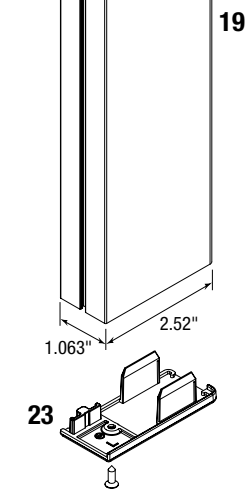
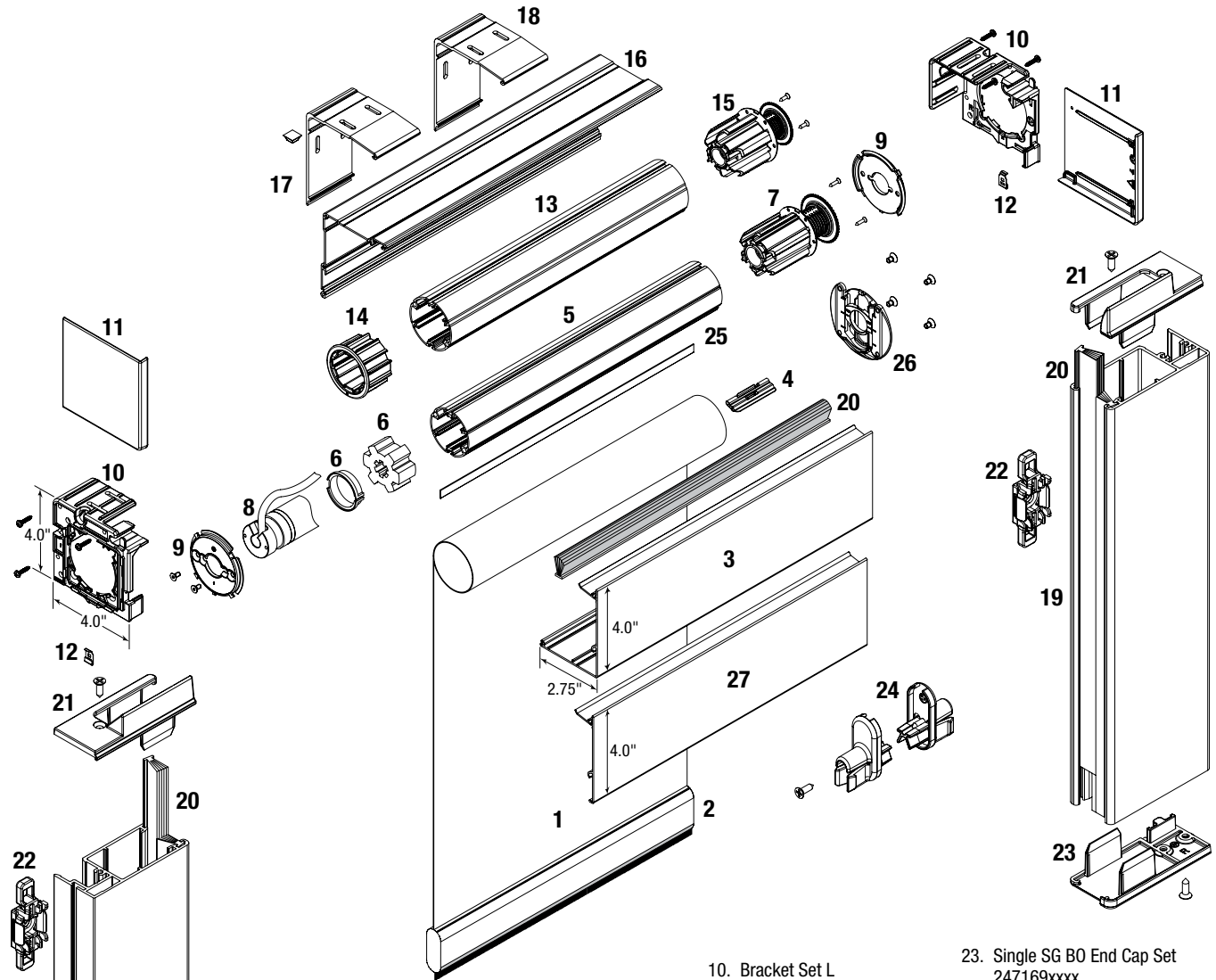
OPTIONAL COMPONENTS:

15. Detachable Spline
2471580000 – Flat
2471590000 – Round
 16. Leveler 2.0"
247344xxxx
 17. Reverse Roll Cover Profile
L 5m
247058xxxx
 5. Crown and Drive
RC445283 – for LS40
RC445067 – for ST50
RC445231 – for LT525
 7. Motor
RC445284 – LS40
RC445286 – ST50 Standard
RC445285 – ST50 RTS
RC445208 – LT525 Standard
RC445230 – LT525 RTS
- xxxx = 4 digit color code.
See Color Chart on page 4
for list of color codes.

Note: End Mount Installations will not receive a Bracket Cover Set and must be specified when ordering.

MOTORIZED ROLLER SHADE WITH BLOCKOUT SYSTEM

5-256 SERIES – MOTOR OPERATION



STANDARD COMPONENTS:

1. Fabric
2. RB500 Bottom Bar
247011xxxx
3. Cover Front Profile L 5m
247055xxxx
4. Profile Connector L
2473360002
5. Tube 2.0"
247060xxxx – Tape 5m
6. Crown and Drive
RC445156
– for HDC100S, HDC200S,
HDC100RQ, and HDC200RQ
7. Tube Bearing Plug 2.0 Nut
247310xxxx
8. Motor
24750010000 – HDC100S
24750020000 – HDC200S
24750030000 – HDC100RQ
24750040000 – HDC200RQ
9. Plate L No. 2
2473480003
10. Bracket Set L
247345xxxx
11. Bracket Cover Set L Motor
247330xxxx
12. Locking Clip L
2473430002
13. Tube 2.5"
247052xxxx – Tape 5m
247053xxxx – Spline 5m
14. Tube Adapter 2.5"
247326xxxx
15. Tube Bearing Plug 2.5" Nut
247311xxxx
16. Closing Profile L 5m
247056xxxx
17. Installation Bracket L
Unfinished
2473420000
18. Installation Bracket L
247341xxxx
19. Side Channel BO 5m
247012xxxx
20. Wool Pile
2370251858
21. Single SC BO Insert Set
247168xxxx
22. Side Channel Fixing Set
2471630000

23. Single SG BO End Cap Set
247169xxxx
24. B. Rail End Cap 13x30 S. Ch
247167xxxx

OPTIONAL COMPONENTS:

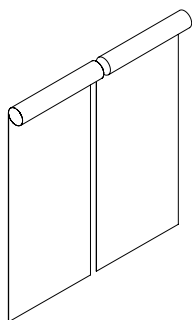
25. Detachable Spline
2471580000 – Flat
2471590000 – Round
26. Leveler 2.0"
247344xxxx
27. Reverse Roll Cover Profile
L 5m
247058xxxx
6. Crown and Drive
RC445283 – for LS40
RC445067 – for ST50
RC445231 – for LT525
8. Motor
RC445284 – LS40
RC445286 – ST50 Standard
RC445285 – ST50 RTS
RC445208 – LT525 Standard
RC445230 – LT525 RTS

xxxx = 4 digit color code.
See Color Chart on page 4
for list of color codes.

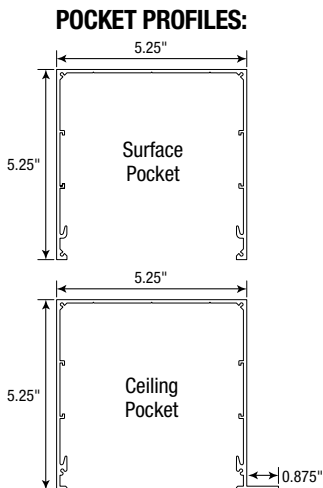
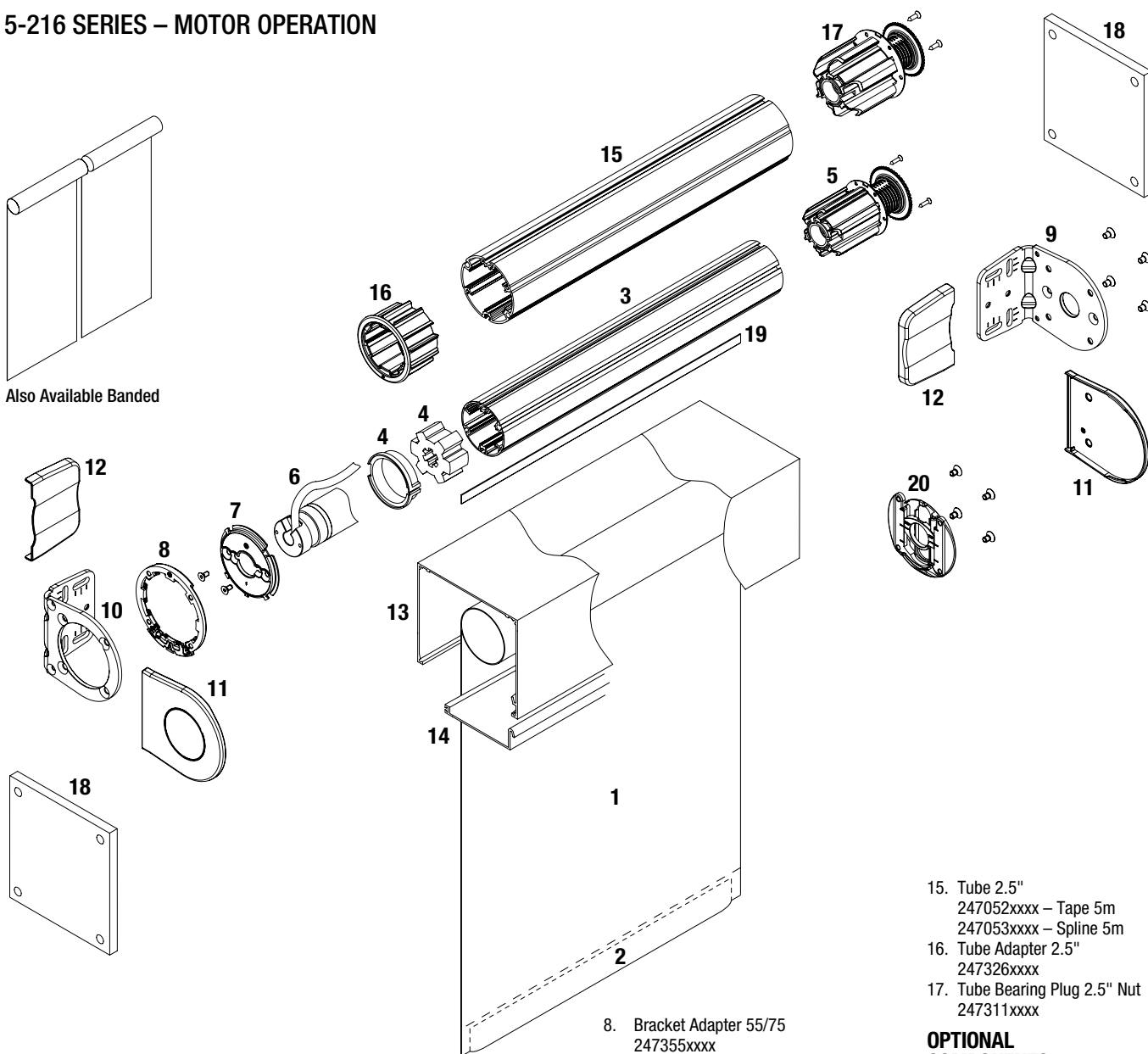
Note: End Mount Installations will not receive a Bracket Cover Set and must be specified when ordering.

MOTORIZED ROLLER SHADE WITH EXTRUDED POCKET

5-216 SERIES – MOTOR OPERATION



Also Available Banded



STANDARD COMPONENTS:

1. Fabric
2. Sealed Hembar
3. Tube 2.0"
247060xxxx – Tape 5m
4. Crown and Drive
RC445156
– for HDC100S, HDC200S,
HDC100RQ, and HDC200RQ
5. Tube Bearing Plug 2.0" Nut
247310xxxx
6. Motor
24750010000 – HDC100S
24750020000 – HDC200S
24750030000 – HDC100RQ
24750040000 – HDC200RQ
7. Plate L No. 2
2473480003

8. Bracket Adapter 55/75
247355xxxx
9. Plug Bracket
247300xxxx – 55 L
247302xxxx – 75 L
10. Motor Bracket
247301xxxx – 55 L
247303xxxx – 75 L
11. Bracket Cover
247304xxxx – 55 L
247306xxxx – 75
12. Bracket Screw Cover 55/75
247308xxxx – Screw Cover
247309xxxx – Screw Cover Cable
13. 5.25" Extruded Pocket
RC502000 – Ceiling Pocket Anodized
RC502675 – Ceiling Pocket White
RC503000 – Surface Pocket Anodized
RC503675 – Surface Pocket White
14. 2" Pocket Bottom Closure
RC500000 – Anodized
RC500675 – White
3" Pocket Bottom Closure
RC501000 – Anodized
RC501675 – White

15. Tube 2.5"
247052xxxx – Tape 5m
247053xxxx – Spline 5m
16. Tube Adapter 2.5"
247326xxxx
17. Tube Bearing Plug 2.5" Nut
247311xxxx

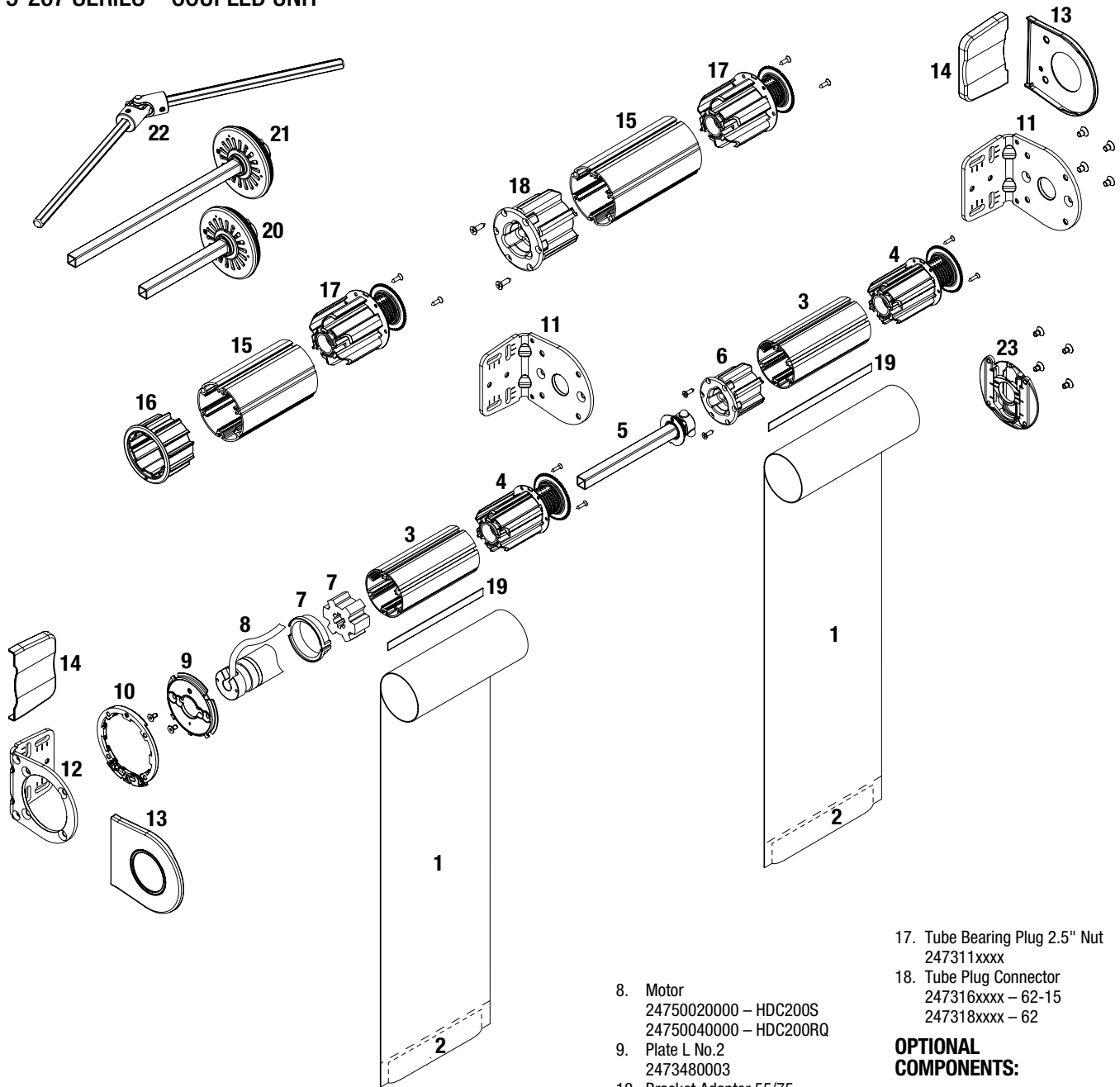
OPTIONAL COMPONENTS:

18. Pocket End Plate
RC506675 – White
RC506000 – Anodized
19. Detachable Spline
2471580000 – Flat
2471590000 – Round
20. Leveler 2.0"
247344xxxx
4. Crown and Drive
RC445283 – for LS40
RC445067 – for ST50
RC445231 – for LT525
6. Motor
RC445284 – LS40
RC445286 – ST50 Standard
RC445285 – ST50 RTS
RC445208 – LT525 Standard
RC445230 – LT525 RTS

xxxx = 4 digit color code.
See Color Chart on page 4
for list of color codes.

MOTORIZED COUPLED ROLLER SHADE

5-267 SERIES – COUPLED UNIT



STANDARD COMPONENTS:

- 1. Fabric
- 2. Sealed Hembar
- 3. Tube 2.0"
247060xxxx – Tape 5m
- 4. Tube Bearing Plug 2.0" Nut
247310xxxx
- 5. Connector Set 50 5.9"
247322xxxx
- 6. Tube Plug Connector
247315xxxx – 50-15
247317xxxx – 50
- 7. Crown and Drive
RC445156
– for HDC200S and HDC200RQ

- 8. Motor
24750020000 – HDC200S
24750040000 – HDC200RQ
- 9. Plate L No.2
2473480003
- 10. Bracket Adapter 55/75
247355xxxx
- 11. Plug Bracket
247300xxxx – 55 L
247302xxxx – 75 L
- 12. Motor Bracket
247301xxxx – 55 L
247303xxxx – 75 L
- 13. Bracket Cover
247304xxxx – 55 L
247306xxxx – 75
- 14. Bracket Screw Cover 55/75
247308xxxx – Screw Cover
247309xxxx – Screw Cover Cable
- 15. Tube 2.5"
247052xxxx – Tape 5m
247053xxxx – Spline 5m
- 16. Tube Adapter 2.5"
247326xxxx

- 17. Tube Bearing Plug 2.5" Nut
247311xxxx
- 18. Tube Plug Connector
247316xxxx – 62-15
247318xxxx – 62

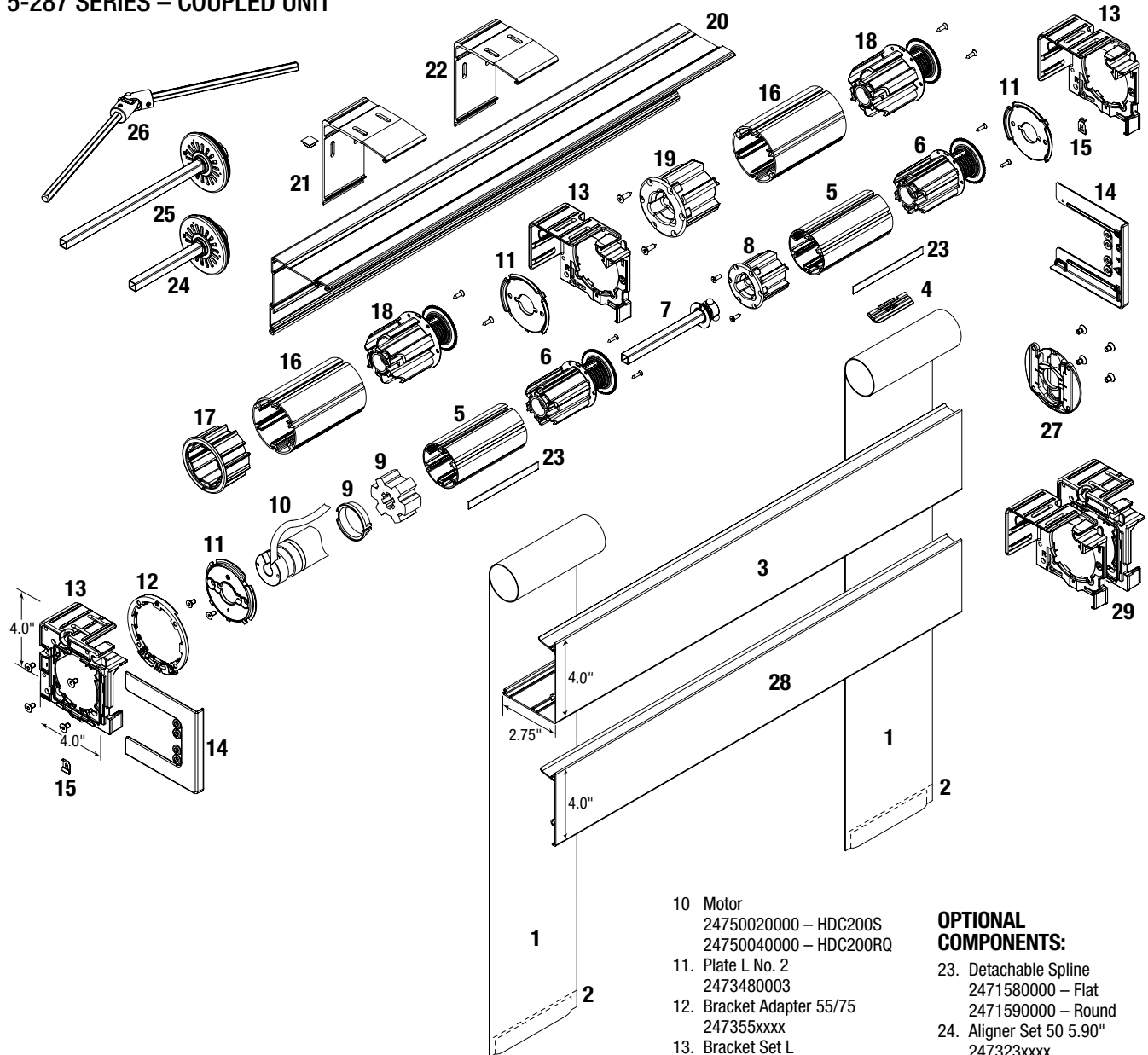
OPTIONAL COMPONENTS:

- 19. Detachable Spline
2471580000 – Flat
2471590000 – Round
- 20. Aligner Set 50 5.9"
247323xxxx
- 21. Aligner Set 50 11.81"
247329xxxx
- 22. Joint 45° L
2473210000
- 23. Leveler 2.0"
- 7. Crown and Drive
RC445231 – for LT525
- 8. Motor
RC445208 – LT525 Standard
RC445230 – LT525 RTS

xxxx = 4 digit color code.
See Color Chart on page 4
for list of color codes.

MOTORIZED COUPLED ROLLER SHADE WITH FASCIA

5-287 SERIES – COUPLED UNIT



STANDARD COMPONENTS:

1. Fabric
2. Sealed Hembar
247055xxxx
3. Cover Front Profile L 5m
247055xxxx
4. Profile Connector L
2473360002
5. Tube 2.0"
247060xxxx – Tape 5m
247310xxxx
6. Tube Bearing Plug 2.0" Nut
247318xxxx – 62
247317xxxx – 50
7. Connector Set 50 5.90"
247322xxxx
8. Tube Plug Connector
247315xxxx – 50-15
247317xxxx – 50
9. Crown and Drive
RC445156
– for HDC200S and HDC200RQ

10. Motor
24750020000 – HDC200S
24750040000 – HDC200RQ
11. Plate L No. 2
2473480003
12. Bracket Adapter 55/75
247355xxxx
13. Bracket Set L
247345xxxx
14. Bracket Cover Set L Coupled
247331xxxx
15. Locking Clip L
2473430002
16. Tube 2.5"
247052xxxx – Tape 5m
247053xxxx – Spline 5m
17. Tube Adapter 2.5"
247326xxxx
18. Tube Bearing Plug 2.5" Nut
247311xxxx
19. Tube Plug Connector
247316xxxx – 62-15
247318xxxx – 62
20. Closing Profile L 5m
247056xxxx
21. Installation Bracket L
Unfinished
2473420000
22. Installation Bracket L
247341xxxx

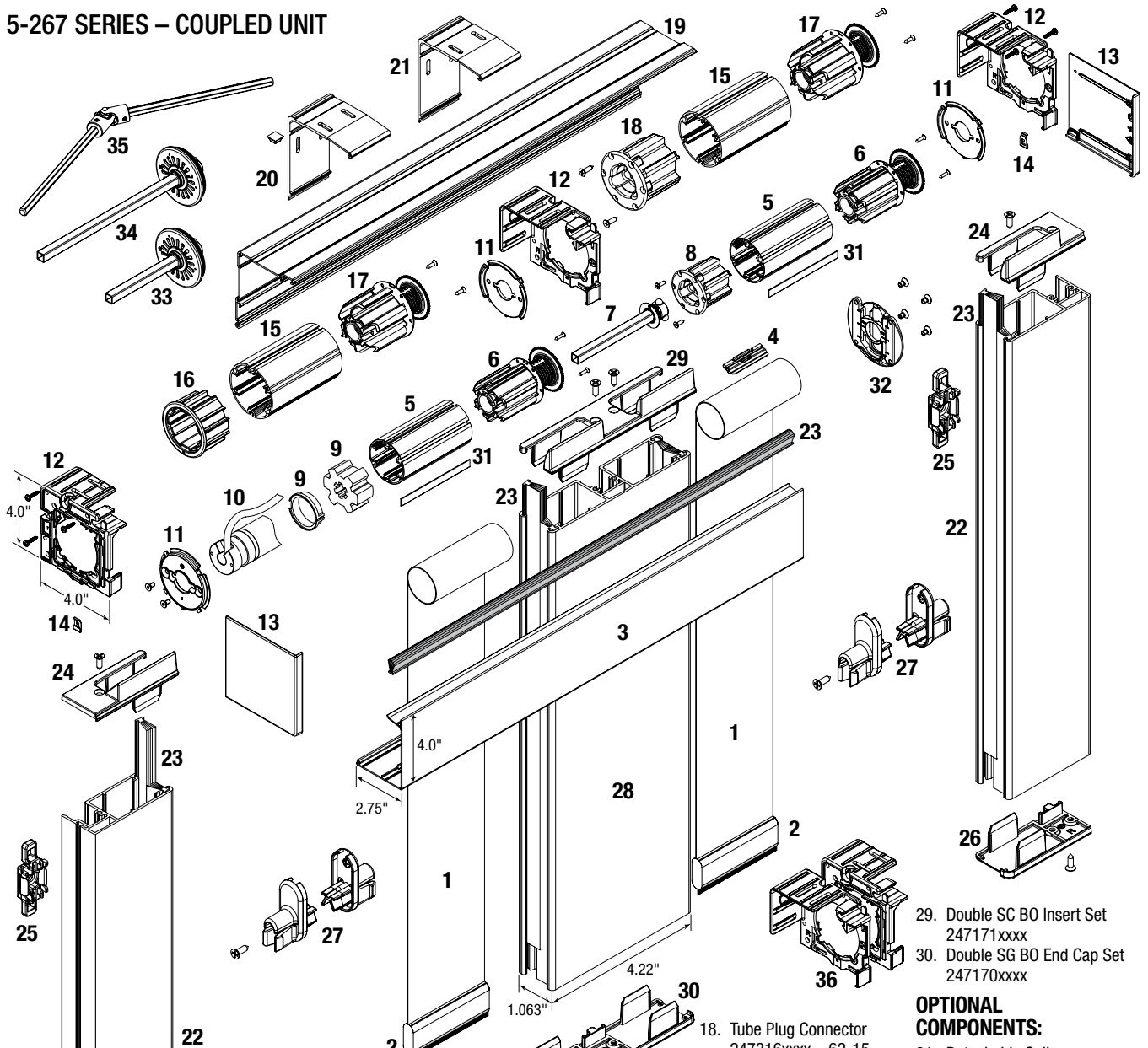
OPTIONAL COMPONENTS:

23. Detachable Spline
2471580000 – Flat
2471590000 – Round
 24. Aligner Set 50 5.90"
247323xxxx
 25. Aligner Set 50 11.81"
247329xxxx
 26. Joint 45° L
2473210000
 27. Leveler 2.0"
247344xxxx
 28. Reverse Roll Cover Profile
L 5m
247058xxxx
 29. Bracket Set L
247345xxxx
– for two-piece Fascia
(Shade width > 192")
 9. Crown and Drive
RC445231 – for LT525
 10. Motor
RC445208 – LT525 Standard
RC445230 – LT525 RTS
- xxxx = 4 digit color code.
See Color Chart on page 4
for list of color codes.

Note: End Mount Installations will not receive a Bracket Cover Set and must be specified when ordering.

MOTORIZED COUPLED ROLLER SHADE WITH BLOCKOUT SYSTEM

5-267 SERIES – COUPLED UNIT



STANDARD COMPONENTS:

- 1. Fabric
- 2. RB500 Bottom Bar
247011xxxx
- 3. Cover Front Profile L 5m
247055xxxx
- 4. Profile Connector L
2473360002
- 5. Tube 2.0"
247060xxxx – Tape 5m
- 6. Tube Bearing Plug 2.0" Nut
247310xxxx
- 7. Connector Set 50 5.90"
247322xxxx
- 8. Tube Plug Connector
247315xxxx – 50-15
247317xxxx – 50
- 9. Crown and Drive
RC445156
- 10. Motor
24750020000 – HDC200S
24750040000 – HDC200RQ
- 11. Plate L No. 2
2473480003
- 12. Bracket Set L
247345xxxx
- 13. Bracket Cover Set L Coupled
247331xxxx
- 14. Locking Clip L
2473430002
- 15. Tube 2.5"
247052xxxx – Tape 5m
247053xxxx – Spline 5m
- 16. Tube Adapter 2.5"
247326xxxx
- 17. Tube Bearing Plug 2.5" Nut
247311xxxx

- 18. Tube Plug Connector
247316xxxx – 62-15
247318xxxx – 62
- 19. Closing Profile L 5m
247056xxxx
- 20. Installation Bracket L Unfinished
2473420000
- 21. Installation Bracket L
247341xxxx
- 22. Single Channel B0 5m
247012xxxx
- 23. Wool Pile
2370251858
- 24. Single SC B0 Insert Sets
247168xxxx
- 25. Side Channel Fixing Set
2471630000
- 26. Single SG B0 End Cap Set
247169xxxx
- 27. B. Rail End Cap 13x30 S. Channel
247167xxxx
- 28. Double Channel B0 5m
247014xxxx

- 29. Double SC B0 Insert Set
247171xxxx
- 30. Double SG B0 End Cap Set
247170xxxx

OPTIONAL COMPONENTS:

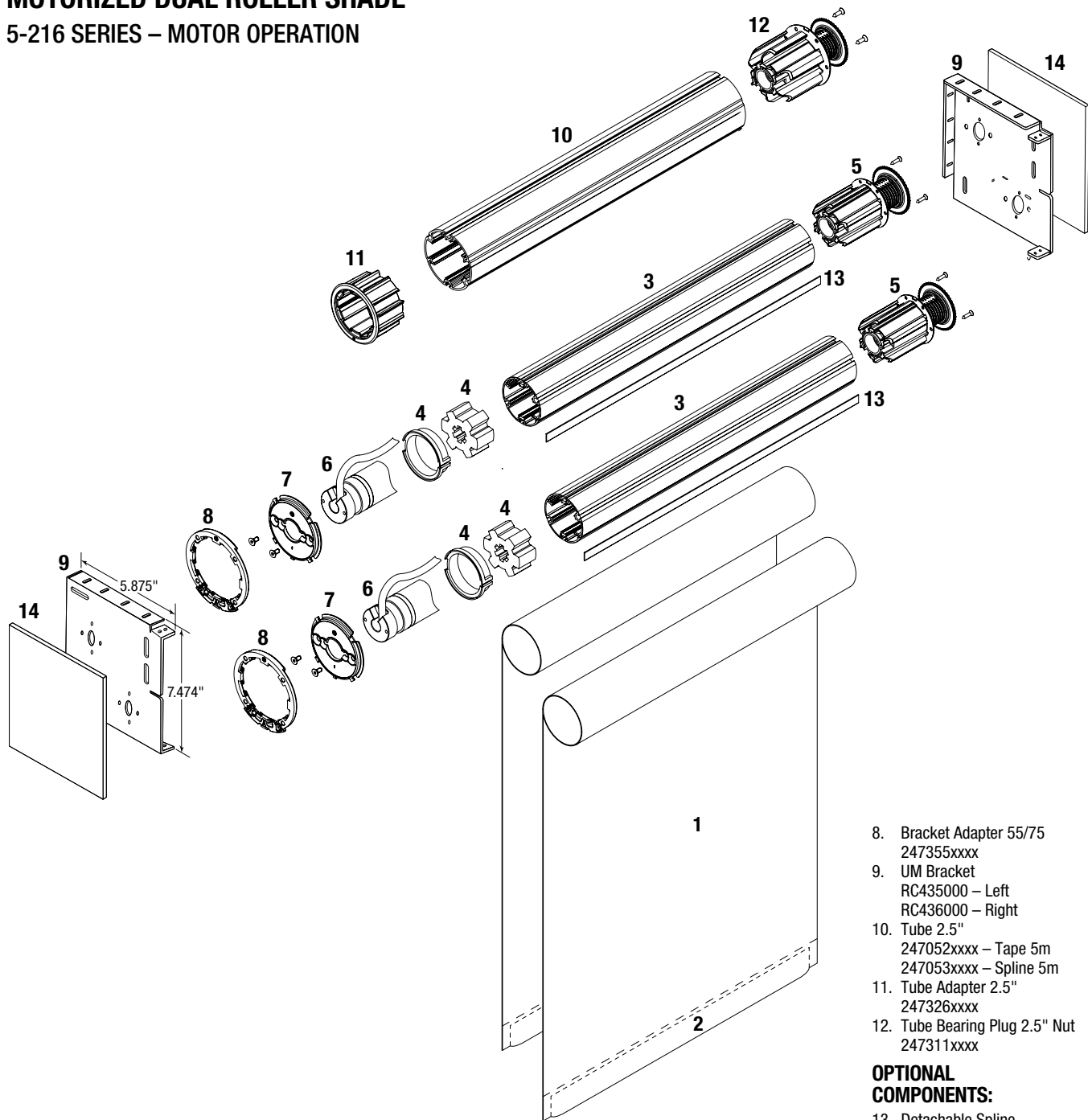
- 31. Detachable Spline
2471580000 – Flat
2471590000 – Round
- 32. Leveler 2.0"
247344xxxx
- 33. Aligner Set 50 5.90"
247323xxxx
- 34. Aligner Set 50 11.81"
247329xxxx
- 35. Joint 45° L
2473210000
- 36. Bracket Set L
247345xxxx
– for two-piece Fascia
(Shade width > 192")
- 9. Crown and Drive
RC445231 – for LT525
- 10. Motor
RC445208 – LT525 Standard
RC445230 – LT525 RTS

Note: End Mount Installations will not receive a Bracket Cover Set and must be specified when ordering.

xxxx = 4 digit color code. See Color Chart on page 4 for list of color codes.

MOTORIZED DUAL ROLLER SHADE

5-216 SERIES – MOTOR OPERATION



MOTORIZED ROLLER SHADES

STANDARD COMPONENTS:

1. Fabric
2. Sealed Hembar
3. Tube 2.0"
247060xxxx – Tape 5m
4. Crown and Drive
RC445156
– for HDC100S and HDC100RQ
5. Tube Bearing Plug 2.0" Nut
247310xxxx
6. Motor
24750010000 – HDC100S
24750030000 – HDC100RQ
7. Plate L No. 2
2473480003

8. Bracket Adapter 55/75
247355xxxx
9. UM Bracket
RC435000 – Left
RC436000 – Right
10. Tube 2.5"
247052xxxx – Tape 5m
247053xxxx – Spline 5m
11. Tube Adapter 2.5"
247326xxxx
12. Tube Bearing Plug 2.5" Nut
247311xxxx

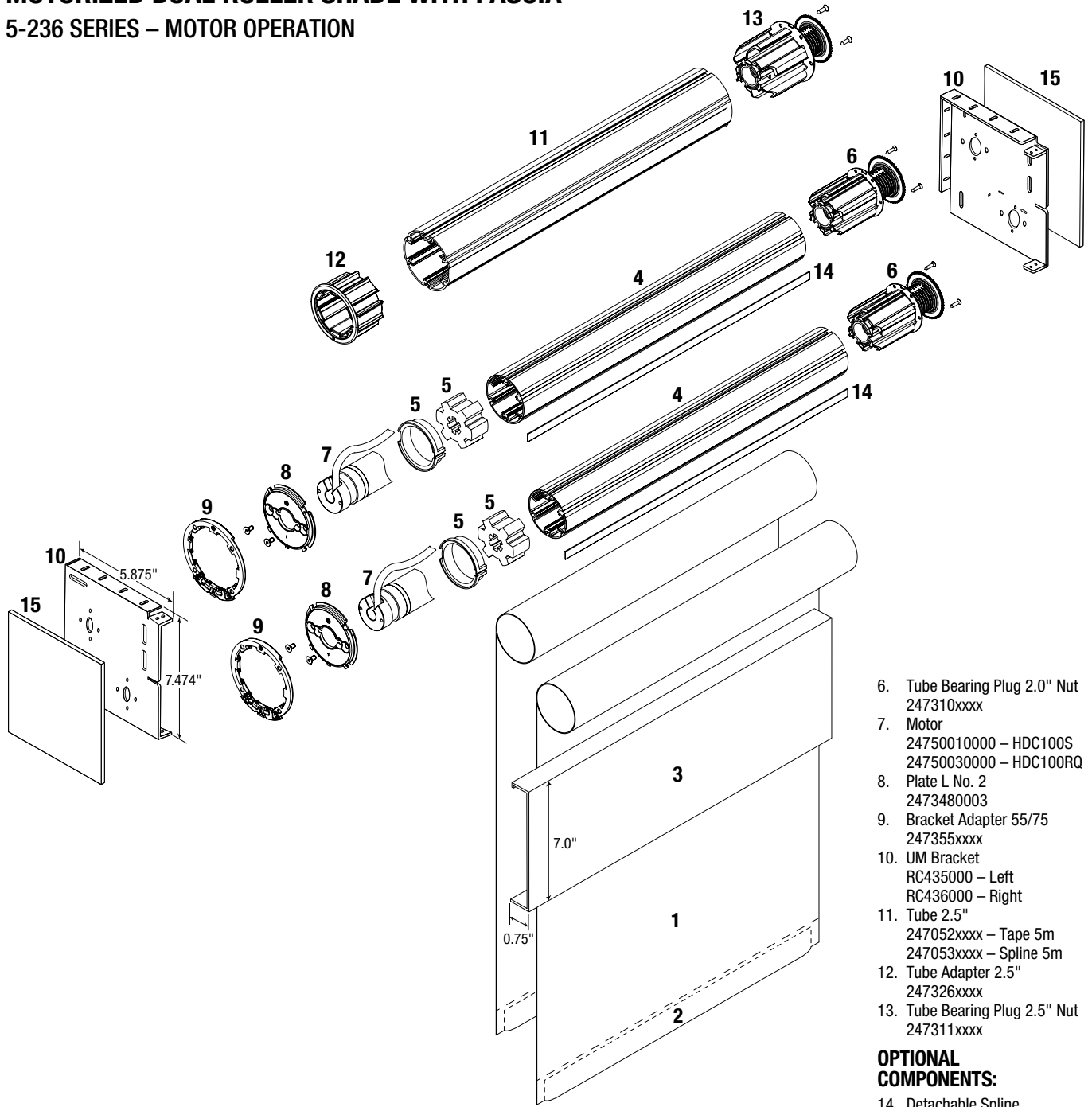
OPTIONAL COMPONENTS:

13. Detachable Spline
2471580000 – Flat
2471590000 – Round
14. Bracket End Plate
RC437000 – Anodized
RC437048 – Black
RC437350 – Vanilla
RC437785 – White
RC437864 – Bronze
4. Crown and Drive
RC445067 – for ST50
6. Motor
RC445286 – ST50 Standard
RC445285 – ST50 RTS

xxxx = 4 digit color code.
See Color Chart on page 4
for list of color codes.

MOTORIZED DUAL ROLLER SHADE WITH FASCIA

5-236 SERIES – MOTOR OPERATION



STANDARD COMPONENTS:

1. Fabric
2. Sealed Hembar
3. 7" Fascia
RC511000 – Anodized
RC511048 – Black
RC511350 – Vanilla
RC511785 – White
RC511864 – Bronze
4. Tube 2.0"
247060xxxx – Tape 5m
5. Crown and Drive
RC445156
– for HDC100S and HDC100RQ

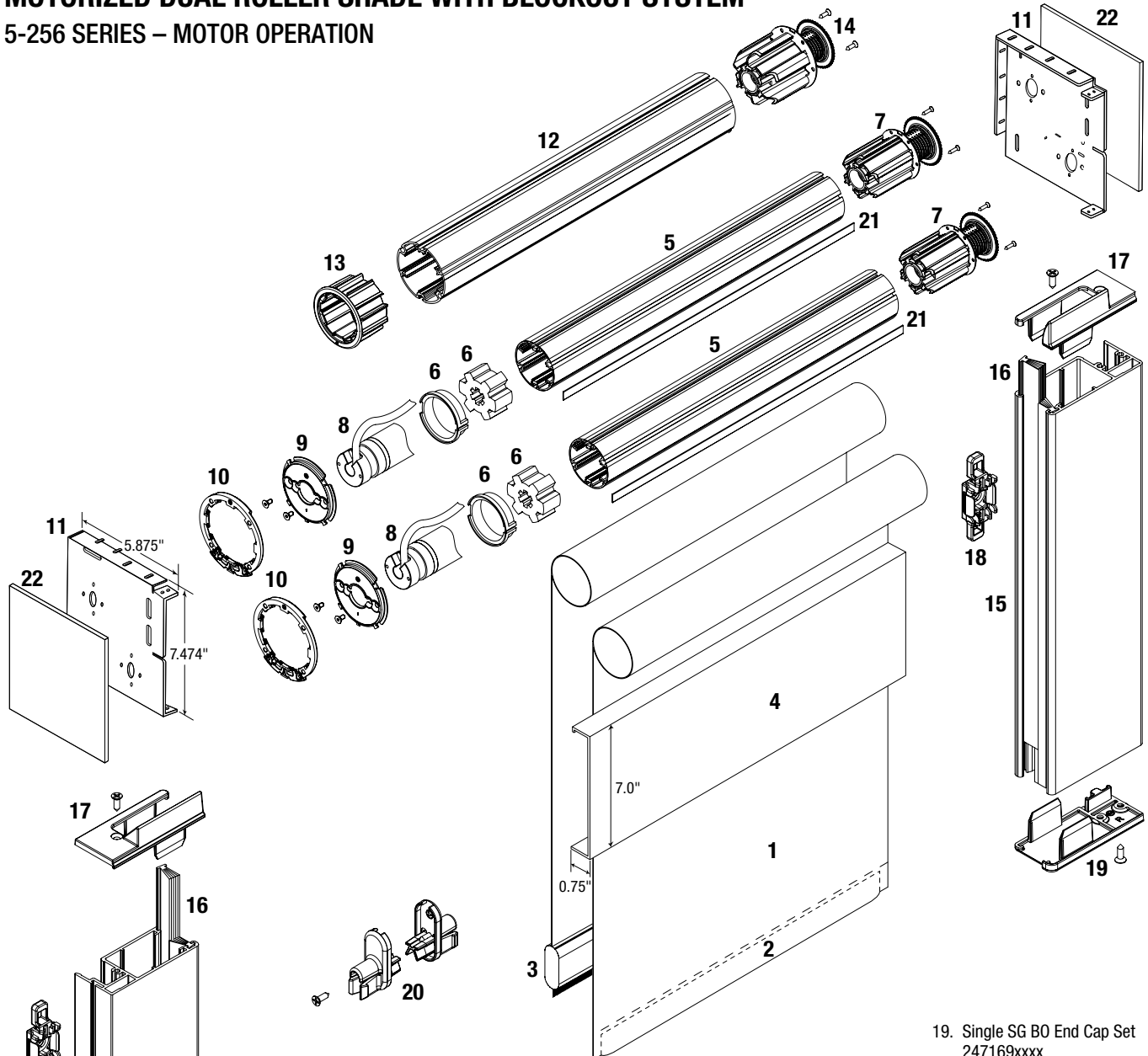
OPTIONAL COMPONENTS:

6. Tube Bearing Plug 2.0" Nut
247310xxxx
7. Motor
24750010000 – HDC100S
24750030000 – HDC100RQ
8. Plate L No. 2
2473480003
9. Bracket Adapter 55/75
247355xxxx
10. UM Bracket
RC435000 – Left
RC436000 – Right
11. Tube 2.5"
247052xxxx – Tape 5m
247053xxxx – Spline 5m
12. Tube Adapter 2.5"
247326xxxx
13. Tube Bearing Plug 2.5" Nut
247311xxxx
14. Detachable Spline
2471580000 – Flat
2471590000 – Round
15. Bracket End Plate
RC437000 – Anodized
RC437048 – Black
RC437350 – Vanilla
RC437785 – White
RC437864 – Bronze
5. Crown and Drive
RC445067 – for ST50
7. Motor
RC445286 – ST50 Standard
RC445285 – ST50 RTS

xxxx = 4 digit color code.
See Color Chart on page 4
for list of color codes.

MOTORIZED DUAL ROLLER SHADE WITH BLOCKOUT SYSTEM

5-256 SERIES – MOTOR OPERATION



MOTORIZED ROLLER SHADES

STANDARD COMPONENTS:

1. Fabric
2. Sealed Hembar
3. RB500 Bottom Bar
247011xxxx
4. 7" Fascia
RC511000 – Anodized
RC511048 – Black
RC511350 – Vanilla
RC511785 – White
RC511864 – Bronze
5. Tube 2.0"
247060xxxx – Tape 5m
6. Crown and Drive
RC445156
– for HDC100S and HDC100RQ
7. Tube Bearing Plug 2.0" Nut
247310xxxx
8. Motor
24750010000 – HDC100S
24750030000 – HDC100RQ

9. Plate L No. 2
2473480003
10. Bracket Adapter 55/75
247355xxxx
11. UM Bracket
RC435000 – Left
RC436000 – Right
12. Tube 2.5"
247052xxxx – Tape 5m
247053xxxx – Spline 5m
13. Tube Adapter 2.5"
247326xxxx
14. Tube Bearing Plug 2.5" Nut
247311xxxx
15. Single Channel BO 5m
247012xxxx
16. Wool Pile
2370251858
17. Single SC BO Insert Sets
247168xxxx
18. Side Channel Fixing Set
2471630000

19. Single SG BO End Cap Set
247169xxxx
20. B. Rail End Cap 13x30
S. Channel
247167xxxx

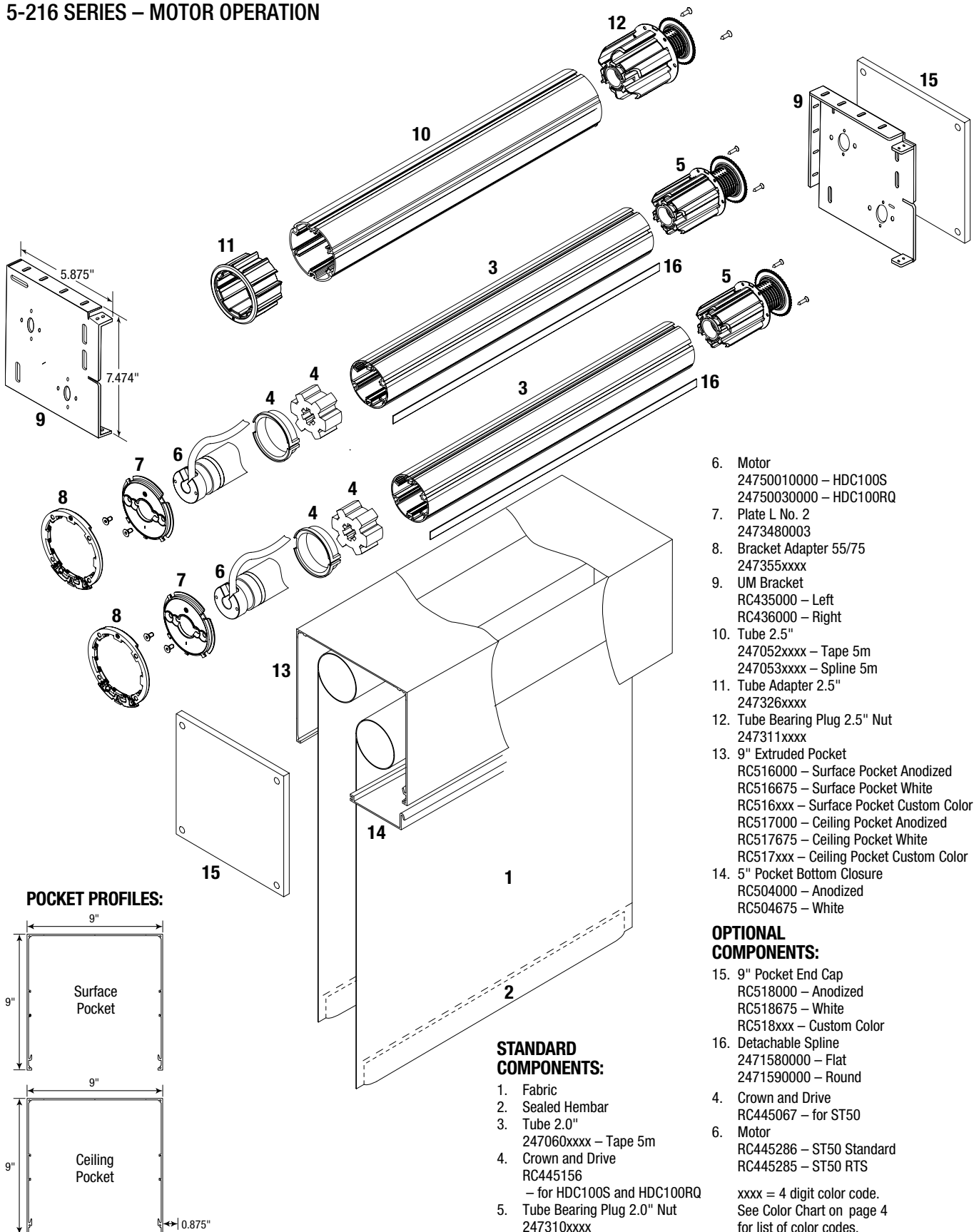
OPTIONAL COMPONENTS:

21. Detachable Spline
2471580000 – Flat
2471590000 – Round
22. Bracket End Plate
RC437000 – Anodized
RC437048 – Black
RC437350 – Vanilla
RC437785 – White
RC437864 – Bronze
6. Crown and Drive
RC445067 – for ST50
8. Motor
RC445286 – ST50 Standard
RC445285 – ST50 RTS

xxxx = 4 digit color code.
See Color Chart on page 4
for list of color codes.

MOTORIZED DUAL ROLLER SHADE WITH EXTRUDED POCKET

5-216 SERIES – MOTOR OPERATION



- 6. Motor
24750010000 – HDC100S
24750030000 – HDC100RQ
- 7. Plate L No. 2
2473480003
- 8. Bracket Adapter 55/75
247355xxxx
- 9. UM Bracket
RC435000 – Left
RC436000 – Right
- 10. Tube 2.5"
247052xxxx – Tape 5m
247053xxxx – Spline 5m
- 11. Tube Adapter 2.5"
247326xxxx
- 12. Tube Bearing Plug 2.5" Nut
247311xxxx
- 13. 9" Extruded Pocket
RC516000 – Surface Pocket Anodized
RC516675 – Surface Pocket White
RC516xxx – Surface Pocket Custom Color
RC517000 – Ceiling Pocket Anodized
RC517675 – Ceiling Pocket White
RC517xxx – Ceiling Pocket Custom Color
- 14. 5" Pocket Bottom Closure
RC504000 – Anodized
RC504675 – White

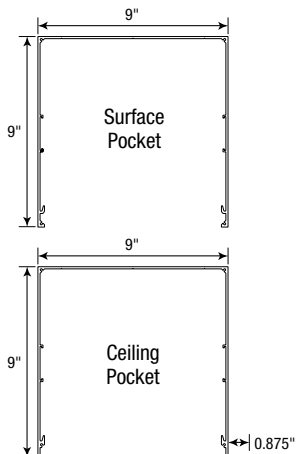
OPTIONAL COMPONENTS:

- 15. 9" Pocket End Cap
RC518000 – Anodized
RC518675 – White
RC518xxx – Custom Color
 - 16. Detachable Spline
2471580000 – Flat
2471590000 – Round
 - 4. Crown and Drive
RC445067 – for ST50
 - 6. Motor
RC445286 – ST50 Standard
RC445285 – ST50 RTS
- xxxx = 4 digit color code.
See Color Chart on page 4 for list of color codes.

STANDARD COMPONENTS:

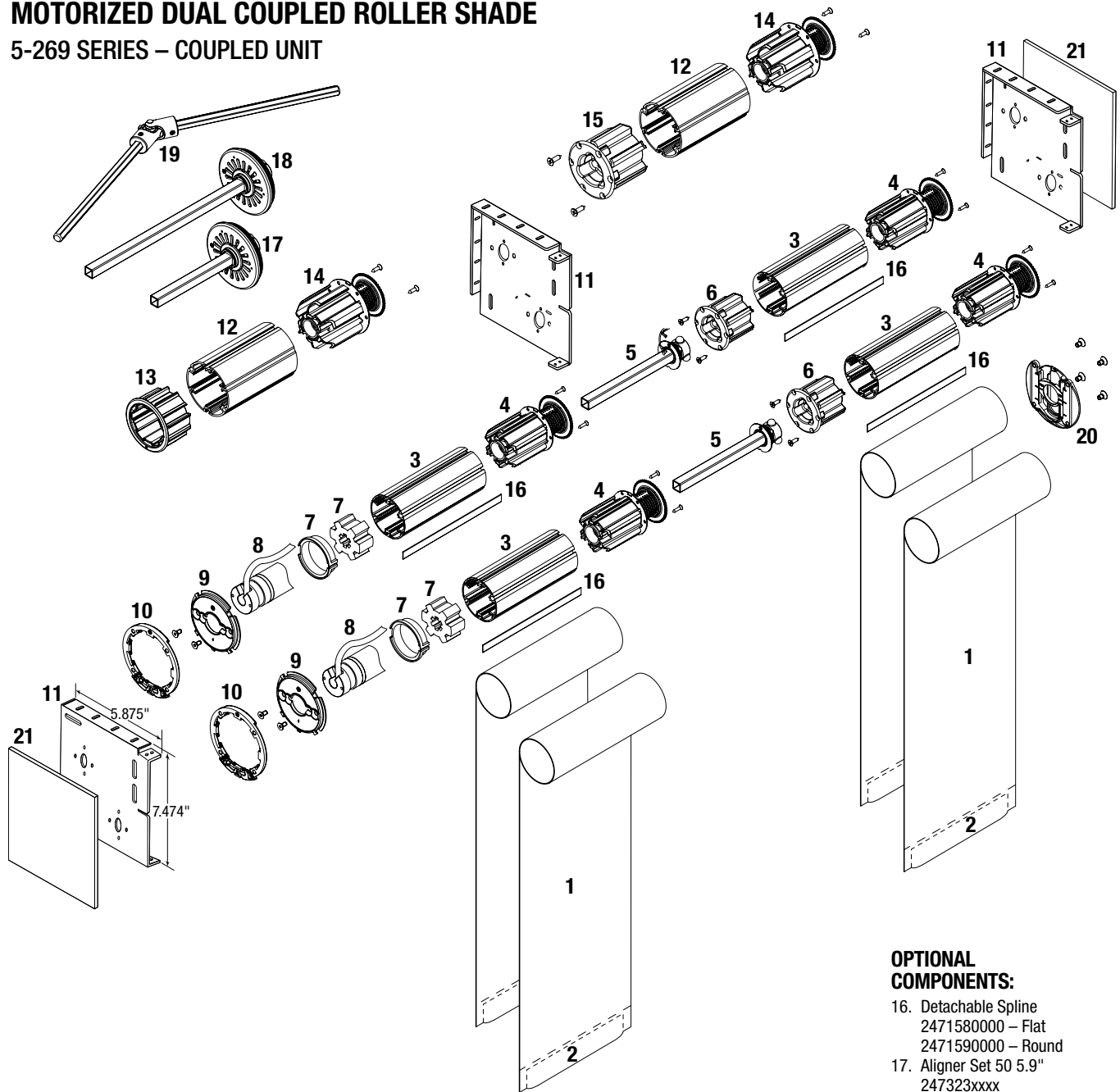
- 1. Fabric
- 2. Sealed Hembar
- 3. Tube 2.0"
247060xxxx – Tape 5m
- 4. Crown and Drive
RC445156
– for HDC100S and HDC100RQ
- 5. Tube Bearing Plug 2.0" Nut
247310xxxx

POCKET PROFILES:



MOTORIZED DUAL COUPLED ROLLER SHADE

5-269 SERIES – COUPLED UNIT



STANDARD COMPONENTS:

1. Fabric
2. Sealed Hembar
3. Tube 2.0"
247060xxxx – Tape 5m
4. Tube Bearing Plug 2.0" Nut
247310xxxx
5. Connector Set 50 5.9"
247322xxxx
6. Tube Plug Connector
247315xxxx – 50-15
247317xxxx – 50
7. Crown and Drive
RC445156
– for HDC200S and HDC200RQ

8. Motor
24750020000 – HDC200S
24750040000 – HDC200RQ
9. Plate L No.2
2473480003
10. Bracket Adapter 55/75
247355xxxx
11. UM Bracket
RC435000 – Left
RC436000 – Right
12. Tube 2.5"
247052xxxx – Tape 5m
247053xxxx – Spline 5m
13. Tube Adapter 2.5"
247326xxxx
14. Tube Bearing Plug 2.5" Nut
247311xxxx
15. Tube Plug Connector
247316xxxx – 62-15
247318xxxx – 62

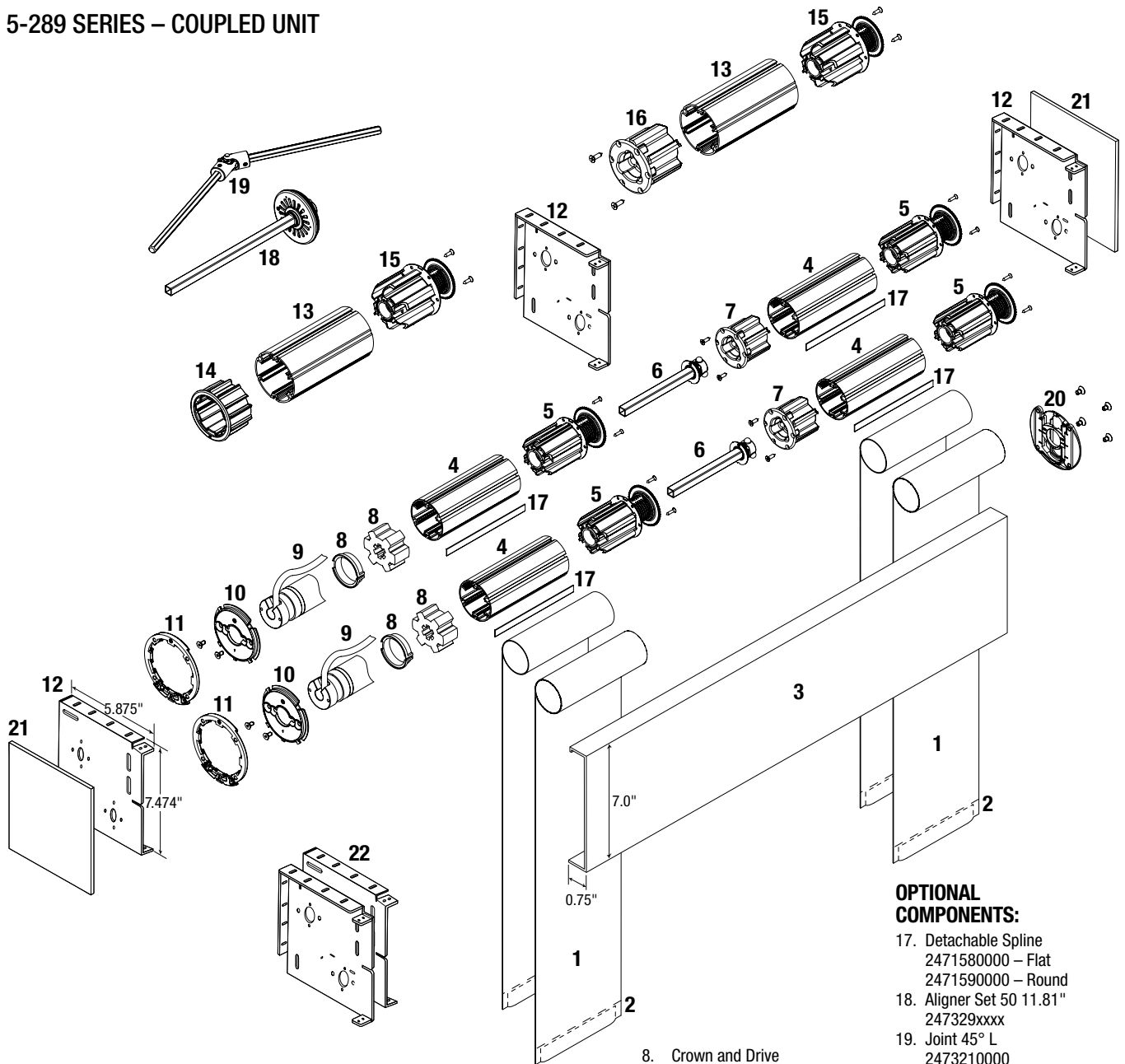
OPTIONAL COMPONENTS:

16. Detachable Spline
2471580000 – Flat
2471590000 – Round
17. Aligner Set 50 5.9"
247323xxxx
18. Aligner Set 50 11.81"
247329xxxx
19. Joint 45° L
2473210000
20. Leveler 2.0"
247344xxxx
21. Bracket End Plate
RC437000 – Anodized
RC437048 – Black
RC437350 – Vanilla
RC437785 – White
RC437864 – Bronze
7. Crown and Drive
RC445231 – for LT525
8. Motor
RC445208 – LT525 Standard
RC445230 – LT525 RTS

xxxx = 4 digit color code.
See Color Chart on page 4
for list of color codes.

MOTORIZED DUAL COUPLED ROLLER SHADE WITH FASCIA

5-289 SERIES – COUPLED UNIT



STANDARD COMPONENTS:

- 1. Fabric
- 2. Sealed Hembar
- 3. 7" Fascia
RC511000 – Anodized
RC511048 – Black
RC511350 – Vanilla
RC511785 – White
RC511864 – Bronze
- 4. Tube 2.0"
247060xxxx – Tape 5m
247310xxxx
- 5. Tube Bearing Plug 2.0" Nut
247310xxxx
- 6. Connector Set 50 5.90"
247322xxxx
- 7. Tube Plug Connector
247315xxxx – 50-15
247317xxxx – 50

- 8. Crown and Drive
RC445156
– for HDC200S and HDC200RQ
- 9. Motor
24750020000 – HDC200S
24750040000 – HDC200RQ
- 10. Plate L No. 2
2473480003
- 11. Bracket Adapter 55/75
247355xxxx
- 12. UM Bracket
RC435000 – Left
RC436000 – Right
- 13. Tube 2.5"
247052xxxx – Tape 5m
247053xxxx – Spline 5m
- 14. Tube Adapter 2.5"
247326xxxx
- 15. Tube Bearing Plug 2.5" Nut
247311xxxx
- 16. Tube Plug Connector
247316xxxx – 62-15
247318xxxx – 62

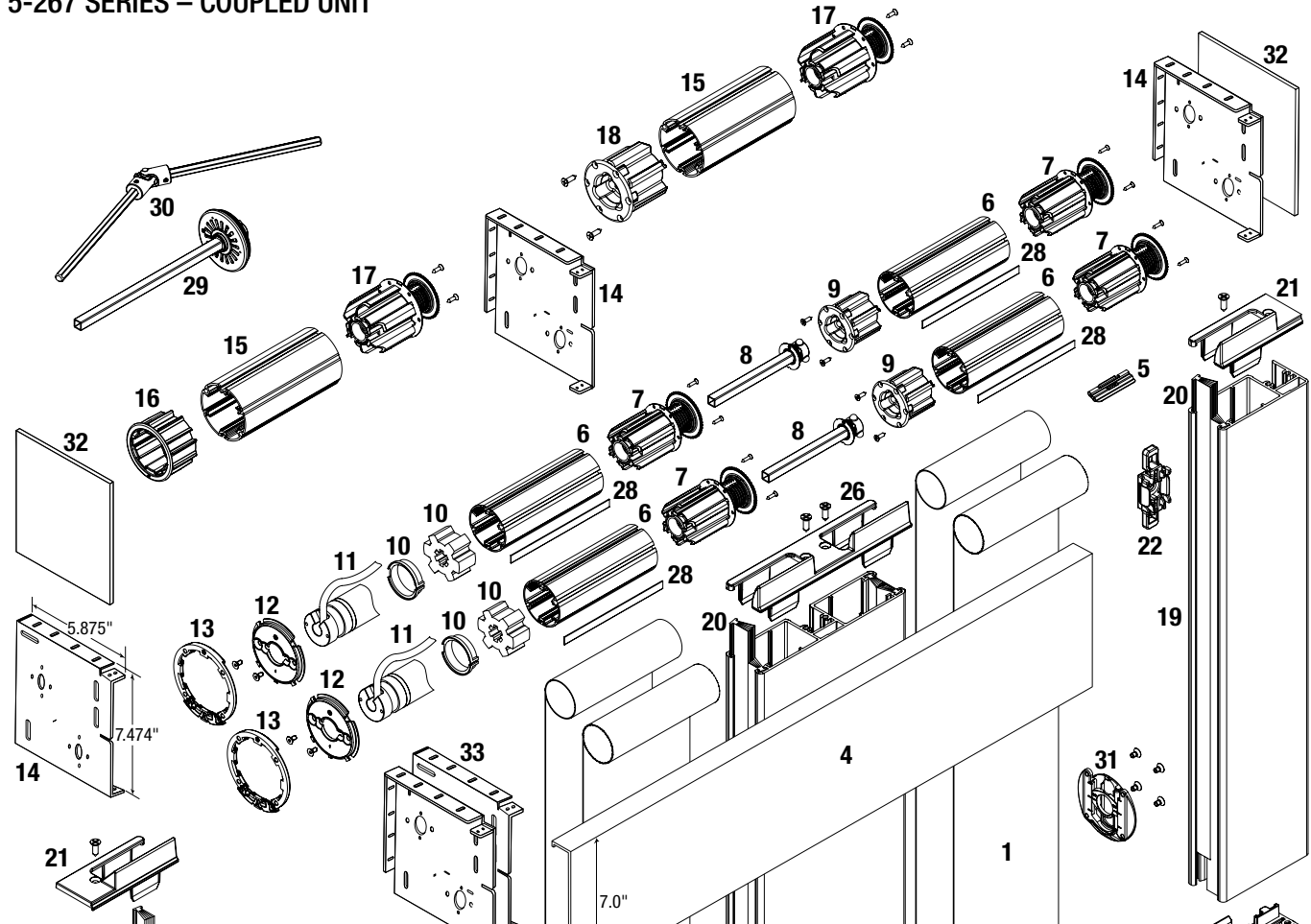
OPTIONAL COMPONENTS:

- 17. Detachable Spline
2471580000 – Flat
2471590000 – Round
 - 18. Aligner Set 50 11.81"
247329xxxx
 - 19. Joint 45° L
2473210000
 - 20. Leveler 2.0"
247344xxxx
 - 21. Bracket End Plate
RC437000 – Anodized
RC437048 – Black
RC437350 – Vanilla
RC437785 – White
RC437864 – Bronze
 - 22. UM Bracket
RC435000 – Left
RC436000 – Right
– for two-piece Fascia
(Shade width > 192")
 - 8. Crown and Drive
RC445231 – for LT525
 - 9. Motor
RC445208 – LT525 Standard
RC445230 – LT525 RTS
- xxxx = 4 digit color code.
See Color Chart on page 4
for list of color codes.

MOTORIZED DUAL COUPLED ROLLER SHADE WITH BLOCKOUT SYSTEM

5-267 SERIES – COUPLED UNIT

MOTORIZED ROLLER SHADES



STANDARD COMPONENTS:

1. Fabric
2. Sealed Hembar
3. RB500 Bottom Bar
247011xxxx
4. 7" Fascia
RC511000 – Anodized
RC511048 – Black
RC511350 – Vanilla
RC511785 – White
RC511864 – Bronze
5. Profile Connector L
2473360002
6. Tube 2.0"
247060xxxx – Tape 5m
7. Tube Bearing Plug 2.0" Nut
247310xxxx
8. Connector Set 50 5.90"
247322xxxx
9. Tube Plug Connector
247315xxxx – 50-15
247317xxxx – 50
10. Crown and Drive
RC445156
– for HDC200S and HDC200RQ
11. Motor
24750020000 – HDC200S
24750040000 – HDC200RQ
12. Plate L No. 2
2473480003
13. Bracket Adapter 55/75
247355xxxx

OPTIONAL COMPONENTS:

28. Detachable Spline
2471580000 – Flat
2471590000 – Round
29. Aligner Set 50 11.81"
247329xxxx
30. Joint 45° L
2473210000
31. Leveler 2.0"
247344xxxx
32. Bracket End Plate
RC437000 – Anodized
RC437048 – Black
RC437350 – Vanilla
RC437785 – White
RC437864 – Bronze
33. UM Bracket
RC435000 – Left
RC436000 – Right
20. Wool Pile
2370251858
21. Single SC BO Insert Sets
247168xxxx
22. Side Channel Fixing Set
2471630000
23. Single SG BO End Cap Set
247169xxxx
24. B. Rail End Cap 13x30
S. Channel
247167xxxx
25. Double Channel BO 5m
247014xxxx
26. Double SC BO Insert Set
247171xxxx
27. Double SG BO End Cap Set
247170xxxx
10. Crown and Drive
RC445231 – for LT525
11. Motor
RC445208 – LT525 Standard
RC445230 – LT525 RTS

xxxx = 4 digit color code.
See Color Chart on page 4
for list of color codes.

MOTORS & MOTORIZATION COMPONENTS

MOTORS

Standard Motors

Maintenance-free and permanently lubricated. Features overheating protection, sturdy electrical and mechanical design. Electromagnetic disk brake for a smooth and accurate stop without slippage.

Smart Motors

Quiet AC motors with integrated RQ motor control. Simple control from automation systems with embedded RQ technology, dry contact inputs, and motion and location feedback capabilities to connected systems.

RTS Motors

With the RTS motor, the end user can have wireless control over any motorized window covering via a radio remote control or an RTS wall switch within a range of up to 90 feet in open space and up to 65 feet through two concrete walls.

STANDARD MOTORS	MINIMUM WIDTH
HDC 100S	28"
HDC 200S	31"
LS40	26"
ST50	45"
LT525	35"

SMART MOTORS	MINIMUM WIDTH
HDC 100RQ	28"
HDC 200RQ	31"

RTS MOTORS	MINIMUM WIDTH
ST50 RTS	45"
LT525 RTS	35"

CONTROLS – STANDARD MOTORS

AC CONTROLS – UNIVERSAL MOUNT INDIVIDUAL CONTROL



RQ60AUMHG
(2170000001)

Remotely queryable 1 motor controller. Allows for shades to be individually or group controlled. Total switched load 9.8 amps.

L: 2.25" W: 2.75" H: 1.0"

AC CONTROLS – PLUG & PLAY BOXES



RP60ABMH-SINGLE
(2170000015)

60 Channel Control in "Plug & Play" box for a single AC motor. Kit includes male plug for motor attachment.

L: 5.5" W: 3.25" H: 2.0"



RP60ABMH2-DOUBLE
(2170000016)

60 Channel Control in "Plug & Play" box for two AC motors.

L: 5.5" W: 3.25" H: 2.0"

AC CONTROLS – GROUP CONTROL MOUNTED IN ENCLOSURE



ISO4B
(2170000021)

ISO4B allows user to switch up to 4 AC motors from any switched source. Can be daisychained to accommodate up to 12 AC motors. Customized panels available for additional motors.






L: 8.0" W: 8.0" H: 4.0"

MOTORIZATION COMPONENTS


POWER CORDS

MODEL	DESCRIPTION
 <p>LT CABLE</p>	Available with 4 wire (Standard Motors) and 3 wire (RTS) and with plug attached. Sizes 3 ft, 6 ft, 12 ft, 18 ft, and 24 ft.

SWITCHES – STANDARD MOTORS



MODEL	DESCRIPTION
 <p>RP BUS KEYPAD K6ST (217000080)</p>	Keypad (Wall Switch) for operating RPs or RQs on channels 1 through 6. System programming unavailable.
 <p>RP BUS KEYPAD K24ST (217000079)</p>	Keypad (Wall Switch) for operating RPs or RQs on channels 1 through 24 and ALL. Fully functional programming available.
 <p>MAINTAINED ROCKER SWITCH (RC 445050 WHITE) (RC 445064 IVORY)</p>	Provides easy control of all types of motorized window coverings.
 <p>KEY SWITCH (RC 445126 MOMENTARY) (RC 445127 MAINTAINED)</p>	Protected by a tamper-proof cover that cannot be removed without inserting the key. Includes heavy duty and light models with either momentary or maintained operation.
 <p>MAINTAINED PADDLE SWITCH (RC 242101 WHITE) (RC 242329 IVORY)</p>	Designed for AC motors.

SWITCHES – RTS MOTORS


MODEL	DESCRIPTION
 <p>RTS SWITCH (RC 445135 SINGLE CHANNEL) (RC 445136 5-CHANNEL)</p>	<p>The RTS Switch (single or five channel) is a wireless radio transmitter.</p> <p>L: 4.5" W: 2.75" D: 1.25"</p>

MOTORIZATION COMPONENTS




REMOTE TRANSMITTERS – STANDARD MOTORS

MODEL	DESCRIPTION
 <p>T6S DUAL 433 (217000055)</p>	IR & RF Transmitter for operating RPs or RQs on channels 1 through 6.
 <p>T24S DUAL 433 (217000054)</p>	IR & RF Transmitter for operating and programming RPs or RQs on channels 1 through 24.



REMOTE TRANSMITTERS – RTS MOTORS

MODEL	DESCRIPTION
 <p>TELIS (RC445069 – SINGLE CHANNEL) (RC445070 – 5 CHANNEL)</p>	Hand held remotes. 1 or 5 channel for operating RTS motors.








AUTOMATION COMMUNICATION

MODEL	DESCRIPTION
 <p>RQ BRIDGE (217000003)</p>	Serial Bridge to communicate between automation systems and RQ60 motor controllers.
 <p>PSIB (2170000124)</p>	Interface switch for dry contact interface.
 <p>RS232 ADAPTER (2170000166)</p>	Plugs into the serial port of any automation system or building management system.

IR RECEIVER EYE

MODEL	DESCRIPTION
 <p>RE-6S (2170000097)</p>	IR Receiver Eye on 6 ft. modular cable.
 <p>REB V2 (2170000100)</p>	IR Receiver Eye in white, wall mount case. Modern styling and construction. L: 2.1" W: 1.75" H: 1.1"

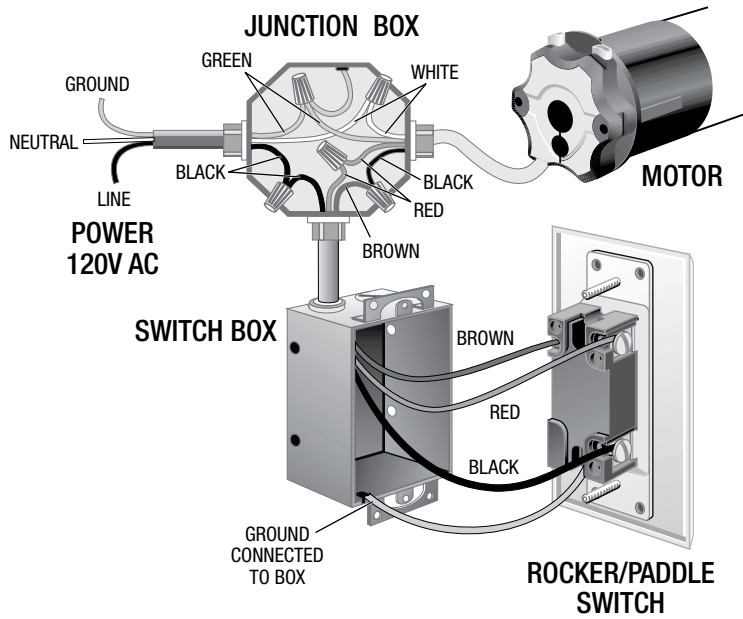
MOTORIZATION COMPONENTS

RF RECEIVER		
	MODEL	DESCRIPTION
	RR433 V2 (2170000095)	433MHz Radio Receiver module complete with white plastic enclosure and external antenna. Programmable pairing up to 5 transmitters. L: 3.8" W: 3.8"
SENSORS		
	MODEL	DESCRIPTION
	LTSEN INT V2 (2170000120)	Sun sensor installed in an interior box. L: 2.1" W: 1.75" H: 1.1"
	PSSW (2170000125)	Programmable Switch Sun and Wind Sensor control unit.
	LCD DIGITAL TIMER (2170000118)	LCD digital clock that provides seven timed actions per day; compatible with all standard motors.
	TIMER (RC445129)	Wireless digital timer compatible with all RTS motors. Includes built-in Sun Sensor. L: 3.125" W: 3.125" H: 1"
PLUGS		
	MODEL	DESCRIPTION
	MPS (2170000234)	AC Motor Plug Set. Two part set for use as a 4-wire disconnect of AC motors. L: 4.25"
	WEP (2170000177)	Wall Entry Plate. Kit comes complete with: single gang cover plate – white only with two screws. 90° 4-conductor UL plug, male plug for motor wire, tool (not required to assemble) and strain relief.

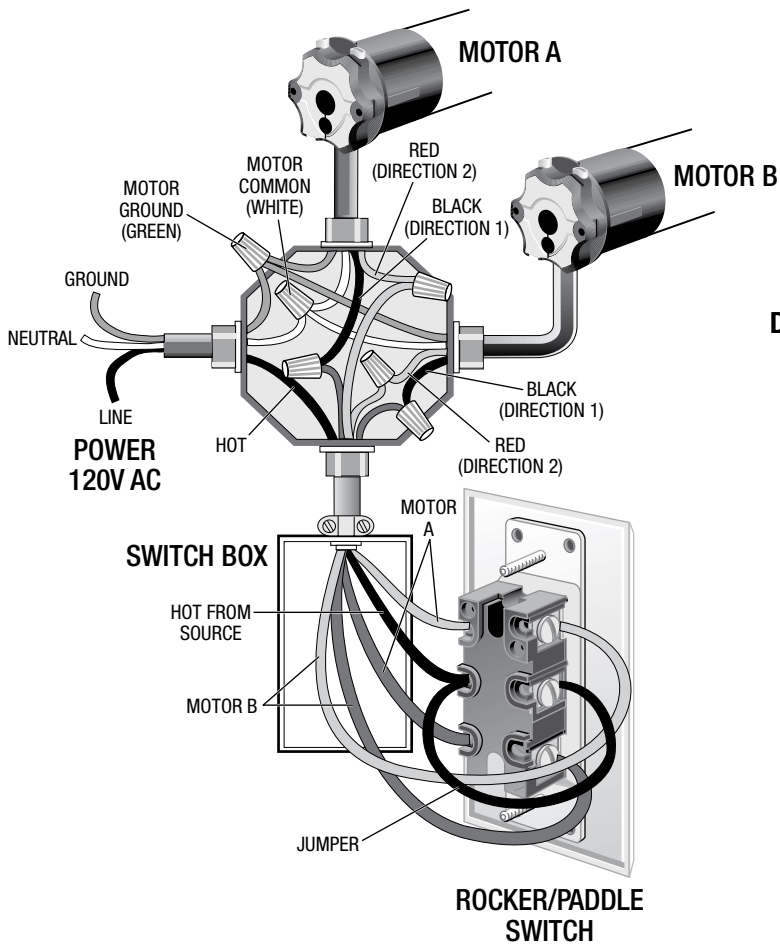
Customization available for AC controls, sun and wind variables, automation systems, and building management systems. Contact Hunter Douglas Contract for assistance.

WIRING DIAGRAMS

LS40 / ST50 STANDARD / LT525 STANDARD / HDC 100S / HDC 200S



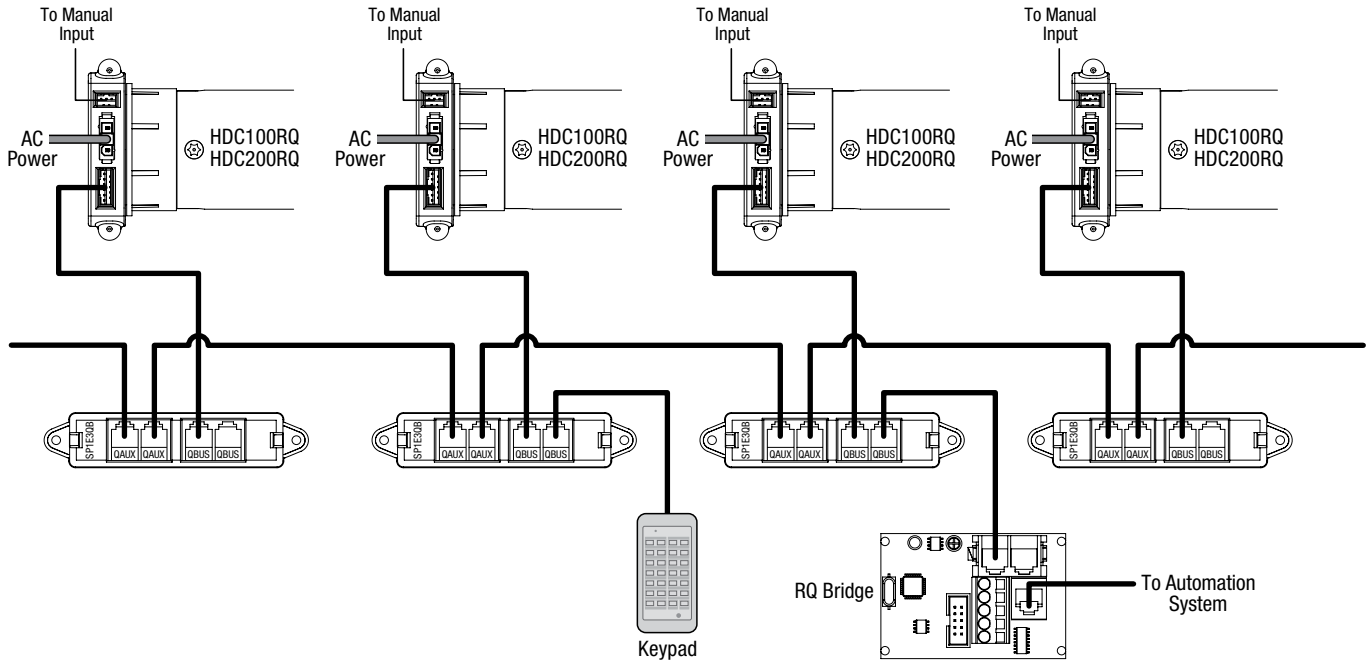
ONE MOTOR
SINGLE POLE SWITCH



TWO MOTORS
DOUBLE POLE SWITCH

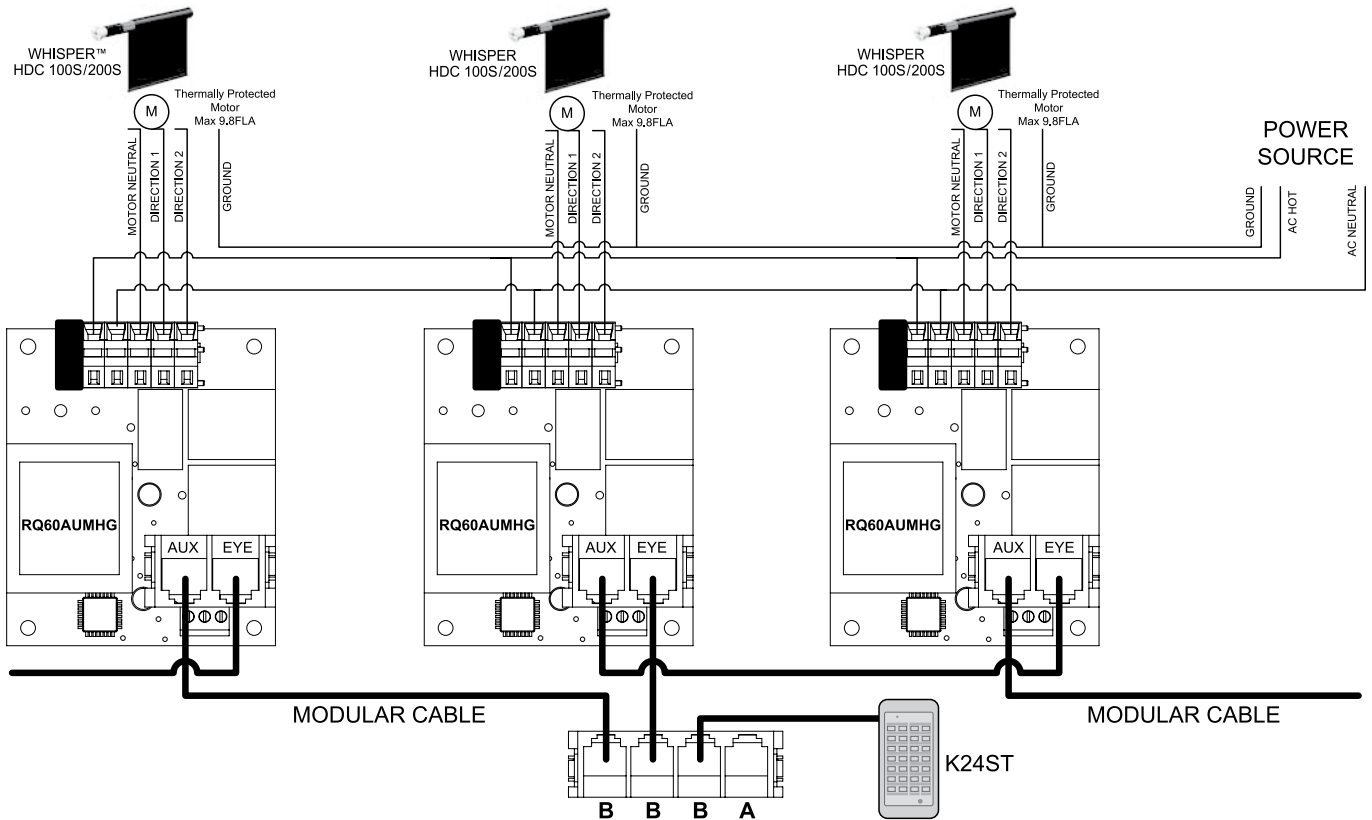
WIRING DIAGRAMS

HDC 100RQ AND HDC 200RQ



MOTORIZED ROLLER SHADES

GENERAL WIRING MOTOR CONTROLLERS



MOTORIZATION COMPONENTS & MOTOR COMPATIBILITY CHART

MOTORIZATION COMPONENT	AVAILABLE MOTORS						
	LS40 STD	ST50 STD	LT525 STD	WHISPER™ HDC 100S HDC 100RQ	WHISPER HDC 200S HDC 200RQ	ST50 RTS	LT525 RTS
RQ60AUMHG – Universal mount individual control motor controller	●	●	●	●	●		
IS04B – Enclosed control to switch up to 4 motors	●	●	●	●	●		
RP60ABMH – Plug & play control box-single motor	●	●	●	●	●		
RP60ABMH2 – Plug & play control box-two motors	●	●	●	●	●		
LT CABLE – Power cord with 3 or 4 wires	●	●	●	●	●		
RP BUS K6ST – Wall switch for operating RPs/RQs channels 1-6	●	●	●	●	●		
RP BUS K24ST – Wall switch for operating RPs/RQs channels 1-24	●	●	●	●	●		
ROCKER SWITCH – Fingertip control with up, down, & center stop	●	●	●	●	●		
KEY SWITCH – Momentary or maintained operation security switch	●	●	●	●	●		
DECORATOR PADDLE SWITCH – Designed for AC motors	●	●	●	●	●		
RTS SWITCH – Single or four channel wireless radio transmitter						●	●
T6S DUAL 433 – Remote transmitter operating RPs/RQs channels 1-6	●	●	●	●	●		
T24S DUAL 433 – Remote transmitter operating RPs/RQs channels 1-24	●	●	●	●	●		
TELIS REMOTE TRANSMITTER – Used to operate RTS motors						●	●
RQ BRIDGE – To communicate with automation systems	●	●	●	●	●		
RE-6S – Infrared receiving eye on 6 ft. modular cable	●	●	●	●	●		
REB V2 – Infrared receiving eye in a white wall mount case	●	●	●	●	●		
RR433 V2 – Radio receiver programmable with up to 5 transmitters	●	●	●	●	●		
LTSEN INT V2 – Sun sensor installed in an interior box	●	●	●	●	●		
PSSW – Programmable switch sun & wind sensor control unit	●	●	●	●	●		
LCD DIGITAL TIMER – Hard-wired timer for standard motors	●	●	●	●	●		
TIMER – Wireless digital timer compatible with RTS motors						●	●
MPS – AC motor plug set; used as a 4 wire disconnect of AC motors	●	●	●	●	●		
WEP – Wall entry plate 90° 4 conductor UL plug	●	●	●	●	●		

Deduction Charts



DEDUCTION CHARTS

Ordering dimensions versus finished product dimensions.

All deductions/additions are based on customer's IM or OM size.

Manual Clutch Roller Shades (Single Shade)

	Tube Plus Fabric	Finished Shade with Brackets
INSIDE MOUNT (IM)		
1 1/4", 1 1/2" and 2" Tube*	Ordered Width – 1 1/2"	Ordered Width – 1/8"
2" and 2 1/2" Tube**	Ordered Width – 1 5/8"	Ordered Width – 1/8"
Finished Drop	Ordered Drop	+ 1/8"
Fascia	Ordered Width	– 1/8"
OUTSIDE MOUNT (OM)		
1 1/4", 1 1/2" and 2" Tube*	Ordered Width – 1 3/8"	Ordered Width
2" and 2 1/2" Tube**	Ordered Width – 1 1/2"	Ordered Width
Finished Drop	Ordered Drop	+ 1/8"
Fascia	Ordered Width	– 1/8"

*Standard clutch **Heavy duty clutch

Dual Manual Clutch Roller Shades

	Standard Deduction/Addition
INSIDE MOUNT (IM)	
2 1/2" Tube/Fabric	Ordered Width – 1 1/2"
Finished Width	Ordered Width – 1/8"
Finished Drop	Ordered Drop
OUTSIDE MOUNT (OM)	
2 1/2" Tube/Fabric	Ordered Width – 1 3/8"
Finished Width	Ordered Width
Finished Drop	Ordered Drop

Coupled Roller Shades (All)

	Tube Plus Fabric	With Adjuster
INSIDE AND OUTSIDE MOUNT		
1 1/4", 1 1/2" and 2" Tube	Ordered Width – 1"	Ordered Width – 1 1/4"
2 1/2" Tube	Ordered Width – 1 1/4"	Ordered Width – 1 1/2"

DEDUCTION CHARTS

Ordering dimensions versus finished product dimensions.
All deductions/additions are based on customer's IM or OM size.

3" Blockout Manual Clutch Roller Shades (with Fascia and Side Channels)

	Standard Deduction/Addition	Accepted Tolerances
INSIDE MOUNT (IM)		
1 1/8" Tube/Fabric	Ordered Width – 1 1/2"	± 1/16"
1 1/2" Tube/Fabric	Ordered Width – 1 1/2"	± 1/16"
Side Channel	Ordered Height – 3 3/4"	+ 1/16"
Fascia	Ordered Width – 3/4"	– 1/16"
OUTSIDE MOUNT (OM)		
1 1/8" Tube/Fabric	Ordered Width – 1 3/8"	± 1/16"
1 1/2" Tube/Fabric	Ordered Width – 1 3/8"	± 1/16"
Side Channel	Ordered Height – 3 5/8"	+ 1/16"
Fascia	Ordered Width	– 1/16"

4" Blockout Manual Clutch Roller Shades (with Fascia and Side Channels)

Heavy Duty Bracket Type 5-210

	Standard Deduction/Addition	Accepted Tolerances
INSIDE MOUNT (IM)		
2" and 2 1/2" Tube	Ordered Width – 1 5/8"	± 1/16"
Fabric	Tube Width – 3/4"	± 1/16"
Side Channel	Ordered Height – 4 7/8"	+ 1/16"
Fascia	Ordered Width – 3/4"	– 1/16"
OUTSIDE MOUNT (OM)		
2" and 2 1/2" Tube	Ordered Width – 1 1/2"	± 1/16"
Fabric	Tube Width – 3/4"	± 1/16"
Side Channel	Ordered Height – 4 3/4"	+ 1/16"
Fascia	Ordered Width – 5/8"	– 1/16"

DEDUCTION CHARTS

Ordering dimensions versus finished product dimensions.

All deductions/additions are based on customer's IM or OM size.

Manual Roller Shade Extruded Pocket

Pocket Size	Pocket Length	Closure Length	Closure Mount Strip
INSIDE MOUNT (IM)			
5 1/4"	Ordered Width – 3/8"	Ordered Width – 1"	Ordered Width – 1/8"
9" (Dual Shade)	Ordered Width – 1/2"	Ordered Width – 1"	Ordered Width – 1/8"
OUTSIDE MOUNT (OM)			
5 1/4"	Ordered Width – 1/4"	Ordered Width – 1"	Ordered Width
9" (Dual Shade)	Ordered Width – 5/8"	Ordered Width – 1"	Ordered Width

Manual Crank Roller Shades (Single Shade)

	Tube Plus Fabric	Finished Shade with Brackets
INSIDE MOUNT (IM)		
1 1/4", 1 1/2" and 2" Tube*	Ordered Width – 1 3/4"	Ordered Width – 1/8"
2" and 2 1/2" Tube**	Ordered Width – 2 1/8"	Ordered Width – 1/8"
Finished Drop	Ordered Drop	+ 1/8"
Fascia	Ordered Width	– 1/8"
OUTSIDE MOUNT (OM)		
1 1/4", 1 1/2" and 2" Tube*	Ordered Width – 1 5/8"	Ordered Width
2" and 2 1/2" Tube**	Ordered Width – 2"	Ordered Width
Finished Drop	Ordered Drop	+ 1/8"
Fascia	Ordered Width	– 1/8"

*Standard clutch **Heavy duty clutch

DEDUCTION CHARTS

Ordering dimensions versus finished product dimensions.
All deductions/additions are based on customer's IM or OM size.

4" Blockout Manual Crank Roller Shades (with Fascia and Side Channels)

Heavy Duty Bracket Type 5-210

	Standard Deduction/Addition	Accepted Tolerances
INSIDE MOUNT (IM)		
2" and 2 1/2" Tube	Ordered Width – 2 1/8"	± 1/16"
Fabric	Tube Width – 3/4"	± 1/16"
Side Channel	Ordered Height – 4 7/8"	+ 1/16"
Fascia	Ordered Width – 3/4"	– 1/16"
OUTSIDE MOUNT (OM)		
2" and 2 1/2" Tube	Ordered Width – 2"	± 1/16"
Fabric	Tube Width – 3/4"	± 1/16"
Side Channel	Ordered Height – 4 3/4"	+ 1/16"
Fascia	Ordered Width – 5/8"	– 1/16"

Motorized Shades (Single Shade)

Motor Model	Tube Plus Fabric	Finished Overall Width	Finished Drop
INSIDE MOUNT (IM)			
ST50 STD & RTS	Ordered Width – 1 7/8"	Ordered Width – 1/8"	Ordered Drop ± 1/8"
LS40	Ordered Width – 1 5/8"	Ordered Width – 1/8"	Ordered Drop ± 1/8"
LT525 STD & RTS	Ordered Width – 1 7/8"	Ordered Width – 1/8"	Ordered Drop ± 1/8"
HDC 100S/RQ & 200S/RQ	Ordered Width – 1 3/4"	Ordered Width – 1/8"	Ordered Drop ± 1/8"
OUTSIDE MOUNT (OM)			
ST50 STD & RTS	Ordered Width – 1 3/4"	Ordered Width	Ordered Drop ± 1/8"
LS40	Ordered Width – 1 1/2"	Ordered Width	Ordered Drop ± 1/8"
LT525 STD & RTS	Ordered Width – 1 3/4"	Ordered Width	Ordered Drop ± 1/8"
HDC 100S/RQ & 200S/RQ	Ordered Width – 1 5/8"	Ordered Width	Ordered Drop ± 1/8"

DEDUCTION CHARTS

Ordering dimensions versus finished product dimensions.

All deductions/additions are based on customer's IM or OM size.

Motorized Shades with Fascia

Motor Model	Tube Plus Fabric	Finished Overall Width	Finished Drop
INSIDE MOUNT (IM)			
ST50 STD & RTS	Ordered Width – 1 7/8"	Ordered Width – 1/8"	Ordered Drop ± 1/8"
LS40	Ordered Width – 1 5/8"	Ordered Width – 1/8"	Ordered Drop ± 1/8"
LT525 STD & RTS	Ordered Width – 1 7/8"	Ordered Width – 1/8"	Ordered Drop ± 1/8"
HDC 100S/RQ & 200S/RQ	Ordered Width – 1 3/4"	Ordered Width – 1/8"	Ordered Drop ± 1/8"
OUTSIDE MOUNT (OM)			
ST50 STD & RTS	Ordered Width – 1 3/4"	Ordered Width	Ordered Drop ± 1/8"
LS40	Ordered Width – 1 1/2"	Ordered Width	Ordered Drop ± 1/8"
LT525 STD & RTS	Ordered Width – 1 3/4"	Ordered Width	Ordered Drop ± 1/8"
HDC 100S/RQ & 200S/RQ	Ordered Width – 1 5/8"	Ordered Width	Ordered Drop ± 1/8"

4" Blockout Motorized Roller Shades (with Fascia and Side Channels)

Motor Models ST50 STD & RTS	Standard Deduction/Addition	Accepted Tolerances
INSIDE MOUNT (IM)		
2" and 2 1/2" Tube	Ordered Width – 1 7/8"	± 1/16"
Fabric	Tube Width – 3/4"	± 1/16"
Side Channel	Ordered Height – 4 7/8"	+ 1/16"
Fascia	Ordered Width – 3/4"	– 1/16"
OUTSIDE MOUNT (OM)		
2" and 2 1/2" Tube	Ordered Width – 1 3/4"	± 1/16"
Fabric	Tube Width – 3/4"	± 1/16"
Side Channel	Ordered Height – 4 3/4"	+ 1/16"
Fascia	Ordered Width – 5/8"	– 1/16"

DEDUCTION CHARTS

Ordering dimensions versus finished product dimensions.
All deductions/additions are based on customer's IM or OM size.

4" Blockout Motorized Roller Shades (with Fascia and Side Channels)		
Motor Models LS40 and LT525 STD & RTS	Standard Deduction/Addition	Accepted Tolerances
INSIDE MOUNT (IM)		
2" and 2 1/2" Tube	Ordered Width – 1 7/8"	± 1/16"
Fabric	Tube Width – 3/4"	± 1/16"
Side Channel	Ordered Height – 4 7/8"	+ 1/16"
Fascia	Ordered Width – 3/4"	– 1/16"
OUTSIDE MOUNT (OM)		
2" and 2 1/2" Tube	Ordered Width – 1 3/4"	± 1/16"
Fabric	Tube Width – 3/4"	± 1/16"
Side Channel	Ordered Height – 4 3/4"	+ 1/16"
Fascia	Ordered Width – 5/8"	– 1/16"

4" Blockout Motorized Roller Shades (with Fascia and Side Channels)		
Motor Models HDC 100S & 100RQ and HDC 200S & 200RQ	Standard Deduction/Addition	Accepted Tolerances
INSIDE MOUNT (IM)		
2" and 2 1/2" Tube	Ordered Width – 1 3/4"	± 1/16"
Fabric	Tube Width – 3/4"	± 1/16"
Side Channel	Ordered Height – 4 7/8"	+ 1/16"
Fascia	Ordered Width – 3/4"	– 1/16"
OUTSIDE MOUNT (OM)		
2" and 2 1/2" Tube	Ordered Width – 1 5/8"	± 1/16"
Fabric	Tube Width – 3/4"	± 1/16"
Side Channel	Ordered Height – 4 3/4"	+ 1/16"
Fascia	Ordered Width – 5/8"	– 1/16"

DEDUCTION CHARTS

Ordering dimensions versus finished product dimensions.

All deductions/additions are based on customer's IM or OM size.

5 1/4" Pocket (with Side and Bottom Channels)

	Standard Deduction/Addition	Accepted Tolerances
INSIDE MOUNT (IM)		
Side Channel & Wool Pile	Ordered Width – 5 3/8"	+ 1/16"
Bottom Channel & Wool Pile	Ordered Width – 5"	+ 1/16"
OUTSIDE MOUNT (OM)		
Side Channel & Wool Pile	Ordered Width – 5 3/8"	+ 1/16"
Bottom Channel & Wool Pile	Ordered Width – 4 7/8"	+ 1/16"

9" Pocket (with Side and Bottom Channels)

	Standard Deduction/Addition	Accepted Tolerances
INSIDE MOUNT (IM)		
Side Channel & Wool Pile	Ordered Width – 9 1/8"	+ 1/16"
Bottom Channel & Wool Pile	Ordered Width – 5"	+ 1/16"
OUTSIDE MOUNT (OM)		
Side Channel & Wool Pile	Ordered Width – 9 1/8"	+ 1/16"
Bottom Channel & Wool Pile	Ordered Width – 4 7/8"	+ 1/16"

Motorized Roller Shade Extruded Pocket

Pocket Size	Pocket Length	Closure Length	Closure Mount Strip
INSIDE MOUNT (IM)			
5 1/4"	Ordered Width – 3/8"	Ordered Width – 1/2"	Ordered Width – 1/8"
9" (Dual Shade)	Ordered Width – 1/2"	Ordered Width – 5/8"	Ordered Width – 1/8"
OUTSIDE MOUNT (OM)			
5 1/4"	Ordered Width – 1/4"	Ordered Width – 3/8"	Ordered Width
9" (Dual Shade)	Ordered Width – 3/8"	Ordered Width – 1/2"	Ordered Width

For additional deduction information related to Coupled Shades, Dual Coupled Shades, and Banded Shades, contact Hunter Douglas Contract.



ABOUT HUNTER DOUGLAS

For the last 60 years, we've been fortunate enough to help turn countless innovative sketches into innovative buildings. Architects and designers from around the world have taken advantage of Hunter Douglas' unmatched project development, service, and support. Chances are, you've seen more of Hunter Douglas than you think. Just look around. With major operation centers in North America, Europe, Latin America, Asia and Australia, we've contributed to thousands of high-profile installations, from retail and commercial facilities to major transit centers and government buildings. Not only are the world's architects and designers our partners, they're our inspiration. As they continue to raise the bar for excellence, we're creating projects to bring their visions to life.

COMMITMENT TO SUSTAINABILITY

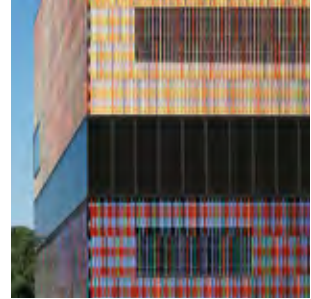
From products, to processes, to philanthropy, environmental responsibility is a core Hunter Douglas value. We are the worldwide leader in creating innovative, energy-efficient window fashions. Our commitment to minimizing our own impact on the environment includes aggressive plans to reduce energy consumption by 15%, water usage by 40%, and overall carbon emissions by 20% over a three-year period.

FOR MORE INFORMATION

- 800.727.8953
- www.hunterdouglascontract.com/windowcoverings

HunterDouglas

Architectural



Hunter Douglas Architectural
13915 Danielson Street, Suite 100, Poway CA 92064
Customer Service: 800.727.8953
Fax: 800.205.9819
HDarchitectural.com