

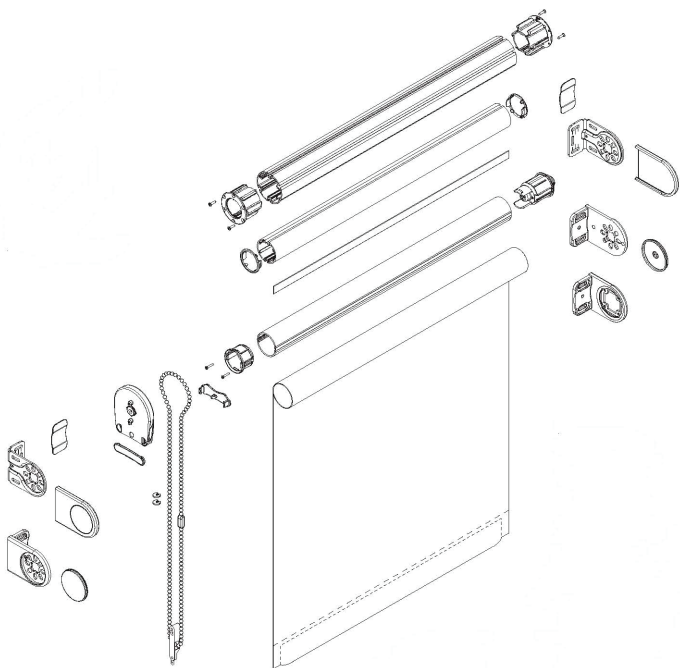


Installation Instructions

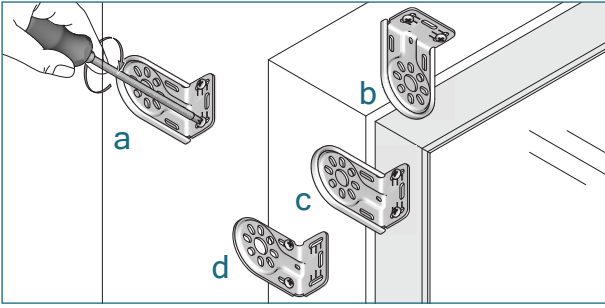
RB 500 Manual Roller Shades

Standard Clutch System

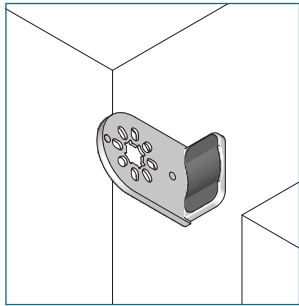
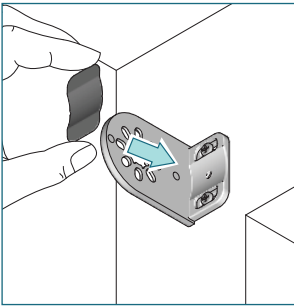
5-11 Series-Chain Operation



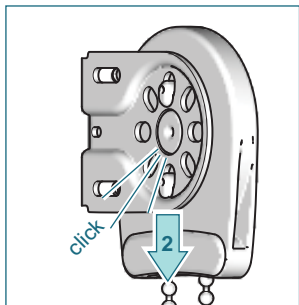
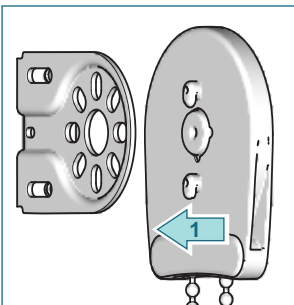
Installation



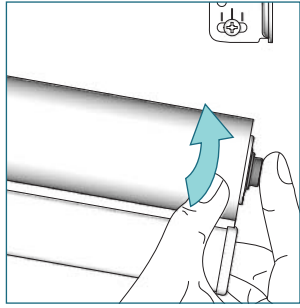
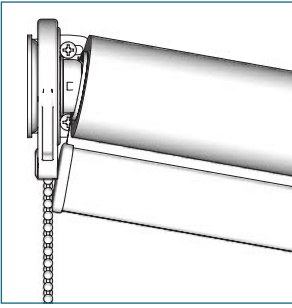
Install the brackets with the screws provided.
a) on face wall b) ceiling c) on frame d) in recess



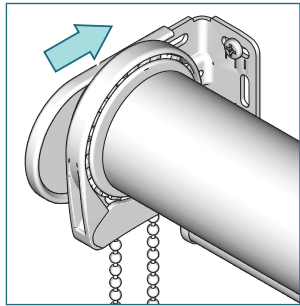
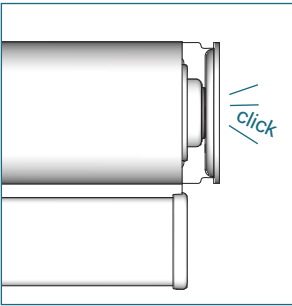
When using decorator brackets, slide the screw cover cap onto the bracket until it snaps.



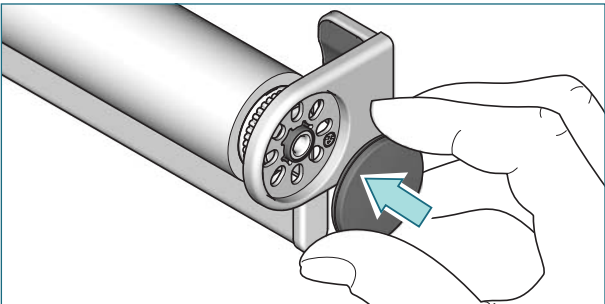
Place the clutch in the bracket (1) and slide it down until it clicks (2).



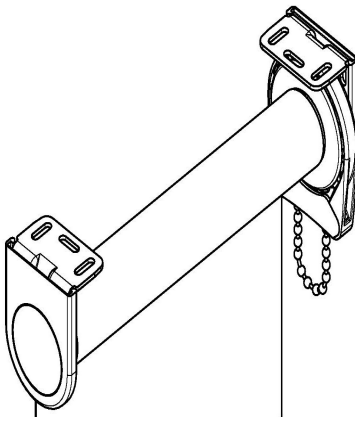
Insert the tube on to the clutch head. Press the tube bearing plug and lift the shade.



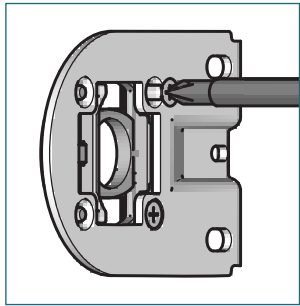
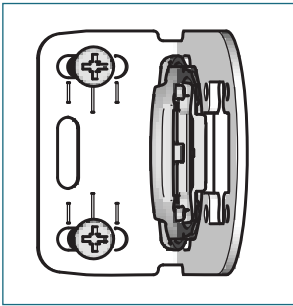
Snap it to the bracket. Slide the bracket covers on to the brackets.



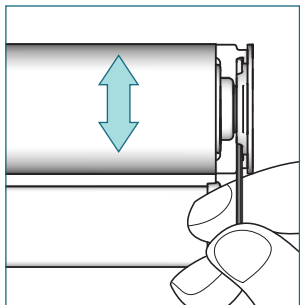
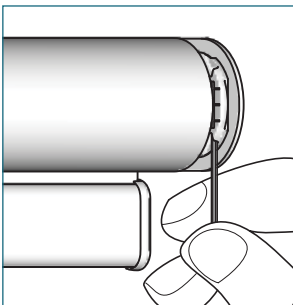
Insert the bracket cover in to the decorator bracket.



Option: Leveling Bracket

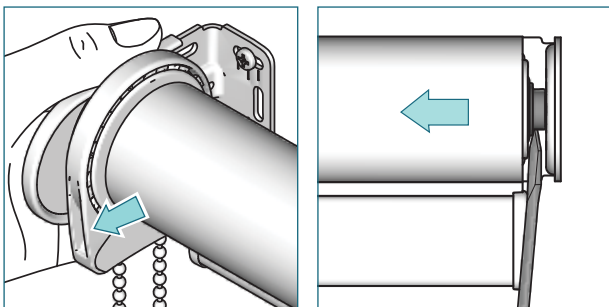


Make sure that the opening for the Allen key is pointing downwards before installing the brackets. Change the orientation by removing the 2 screws and turning the leveler 90°. Reinstall the screws.

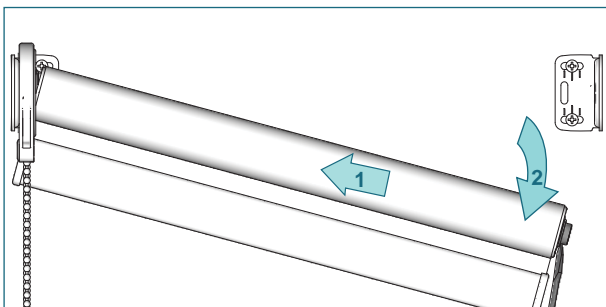


To adjust skewing, put the provided Allen key into the screw of the leveler and turn it left or right to move the shade up or down. Support lifting of large heavy shades with the palm of your hand.

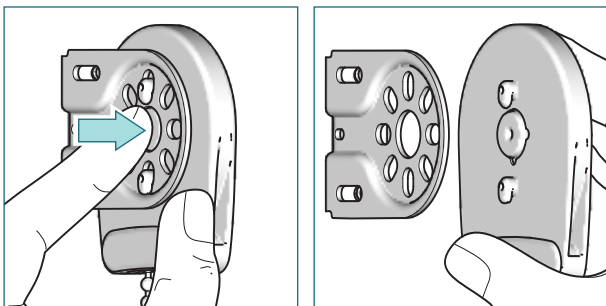
Removal



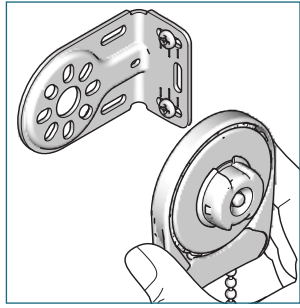
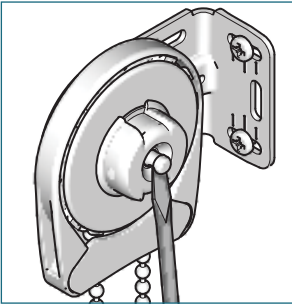
Slide a screw driver between tube bearing plug and bracket and push the bearing in the clutch direction. Slide the bracket cover towards you.



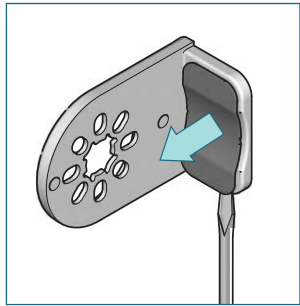
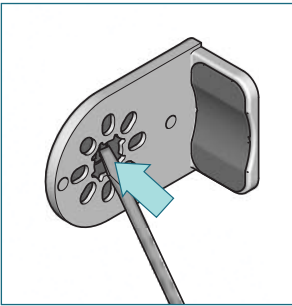
Move the shade downwards out of the bracket.



Push the pin of the clutch and take the clutch out of the bracket.



Place a screw driver under the pin of the clutch and pull it outwards. Take the clutch out of the bracket.



Press the bracket cover out of the decorator bracket. Use a screw driver to remove the screw cover cap from the decorator bracket.