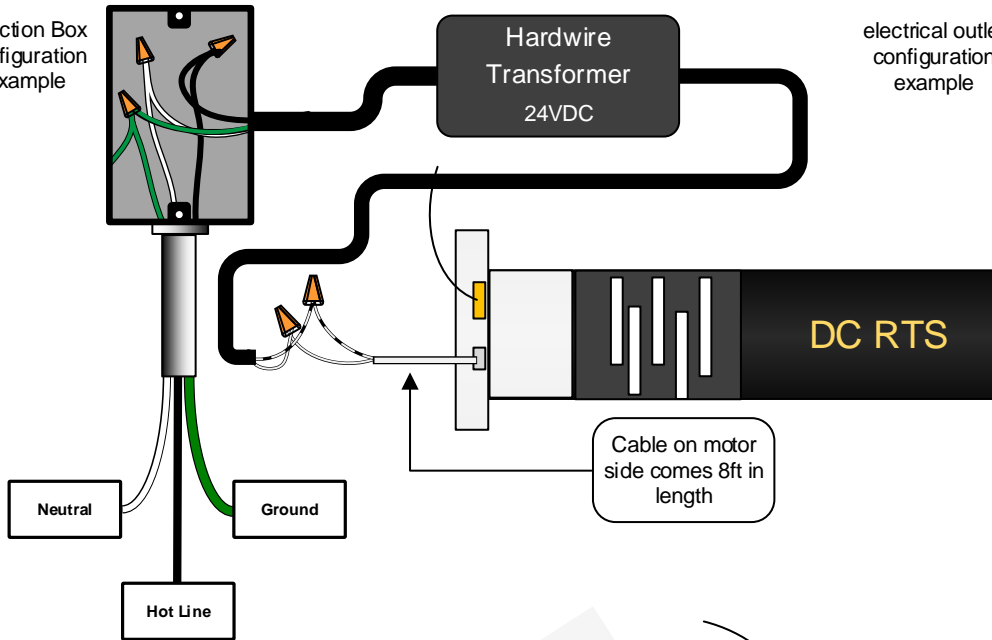


RTS DC Motor Connection Configurations



14/3 ELECTRICAL WIRE RECOMMENDED TO JUNCTION BOX
120 VOLT POWER SOURCE REQUIRED

Junction Box configuration example



electrical outlet configuration example

