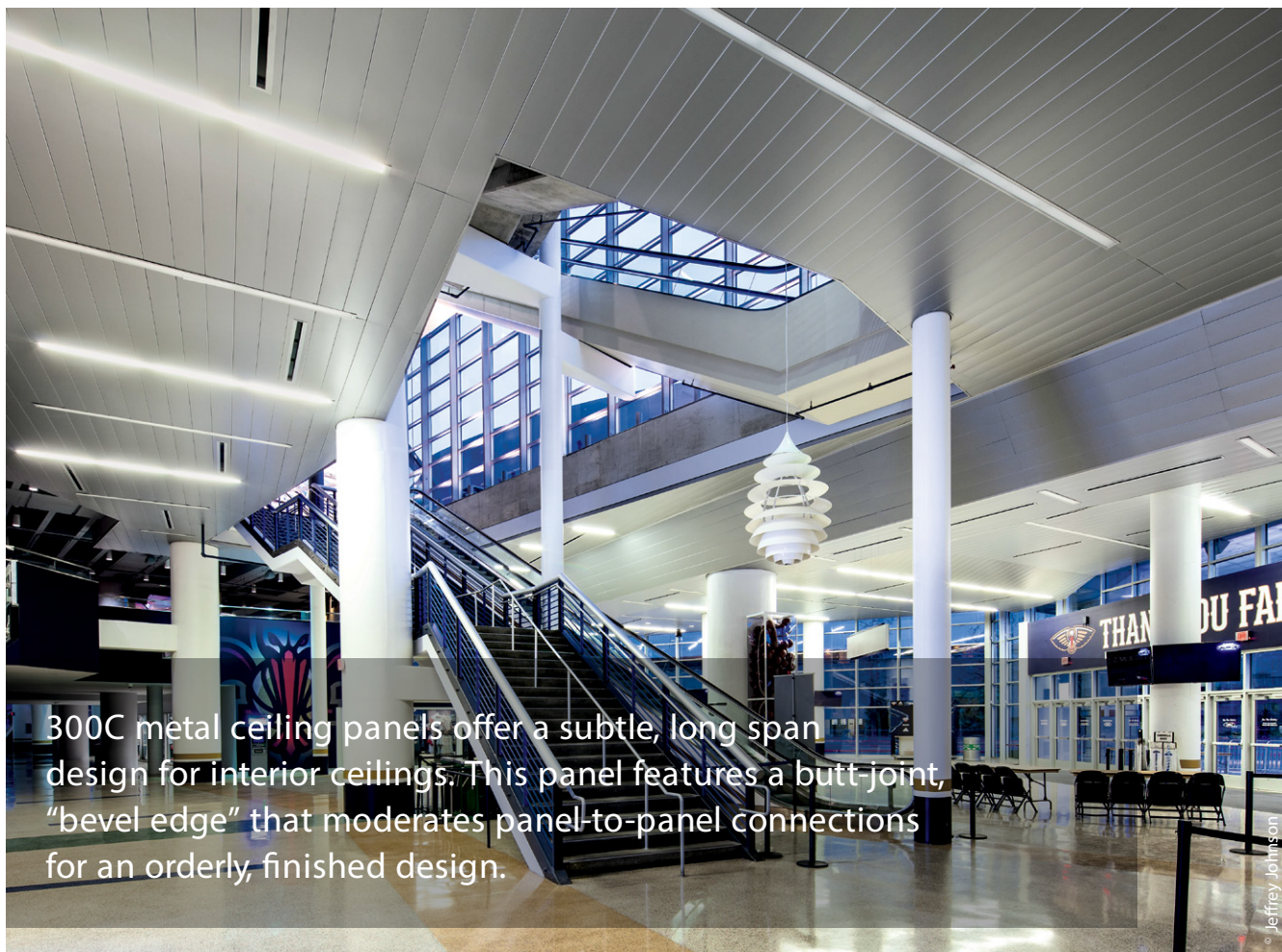


METAL CEILINGS

LINEAR PLANK
300C



300C metal ceiling panels offer a subtle, long span design for interior ceilings. This panel features a butt-joint, "bevel edge" that moderates panel-to-panel connections for an orderly, finished design.

© Jeffrey Johnson

Project: Smoothie King Center, New Orleans, LA; 300C

KEY FEATURES

- Panel width: 12 " nom. [300 mm]
- Panel length: 3' to 19'-8 " "
- Bevel-edge design
- Waste reduction with factory fabricated dimensional material
- Downweight: reduce dead load with lightweight aluminum
- Easy plenum access
- Interior and exterior applications
- Compatible with industry standard lighting, HVAC, speaker, fire safety, and security services

COLORS & FINISHES

Standard colors Natural and Cotton White shown. Client-specific colors available. Minimum quantities may apply. Colors are for illustrative purposes. See page 178 for all colors and finishes.

Standard colors



Natural



Cotton White

Custom colors



Custom

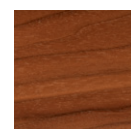
Woodwright™ finishes include our painted wood-look finish and real wood veneers. See page 180 for all finishes.



Maple

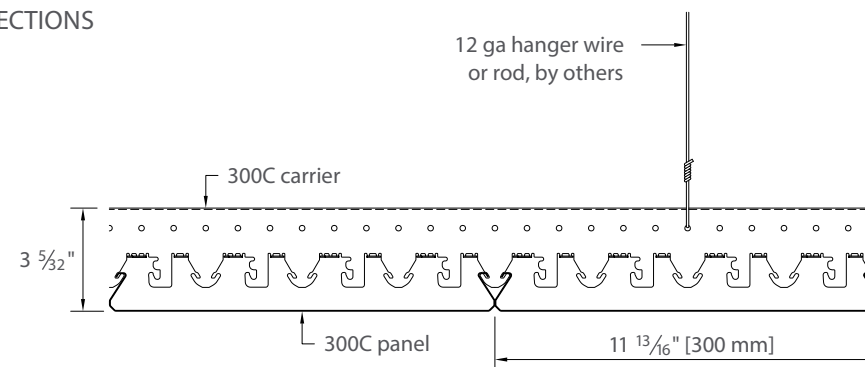


Cherry

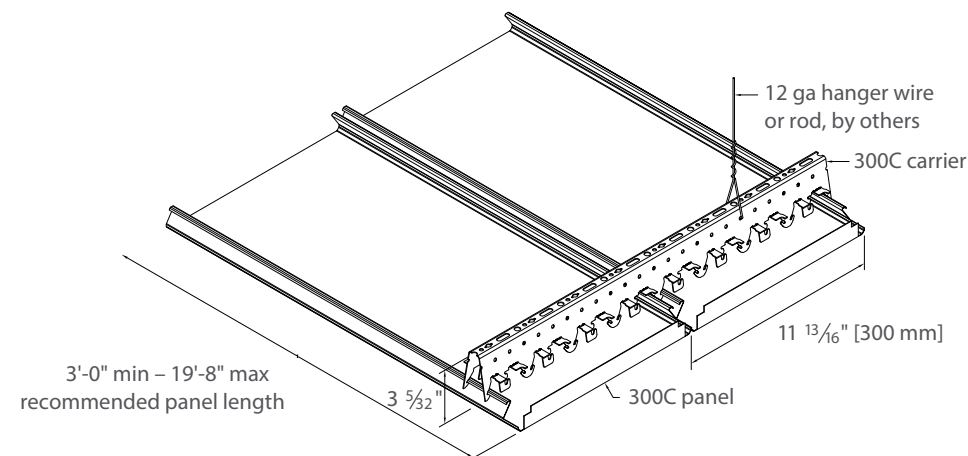


Walnut

TYPICAL SECTIONS



TYPICAL ISOMETRICS

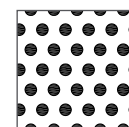


PERFORATION PATTERNS

Standard patterns shown. Scale shown: 1:1, unless otherwise noted.



Non-perforated



Pattern #160

PHYSICAL DATA

- Substrate: Aluminum
- Warranty: 1 year
- Seismic rating: Zones A,B,C,D,E,F
- Fire rating: Class A Fire Rated per ASTM E84
 - Painted or anodized metal: Flame spread: ≤ 25, Smoke ≤ 50
 - Film on metal: Flame spread: ≤ 25, Smoke ≤ 50
 - Wood veneer on metal: Flame spread: ≤ 25, Smoke ≤ 55 (for interior applications)
- Weight: Varies 0.5 – 0.75 lbs./sq.ft.
- Wind load: Per code (for exterior applications)
- Recycled content: Up to 92%
- Light reflectance (LR) Coefficient per ASTM E1264 & ASTM E1477:
 - Cotton White: LR = 0.81
- Acoustical ratings – NRC: See page 190

BIM

REVIT files available for BIM contributions, see website for details.

LEED V4 CREDITS

- EA: Optimize Energy Performance
- MR: Building Product Disclosure
- EQ: Low-Emitting Materials
- EQ: Indoor Air Quality Assessment
- EQ: Daylight
- EQ: Acoustic Performance

CERTIFICATIONS

- GREENGUARD Gold Certified
- HPDs & EPDs – available upon request