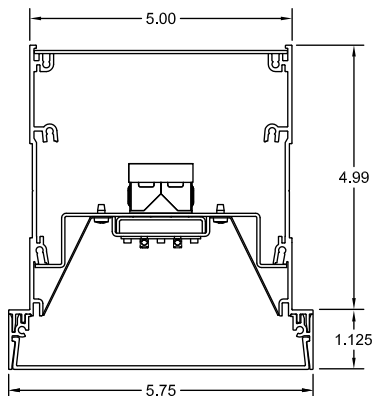


Revision: 6 Date: Nov 2013

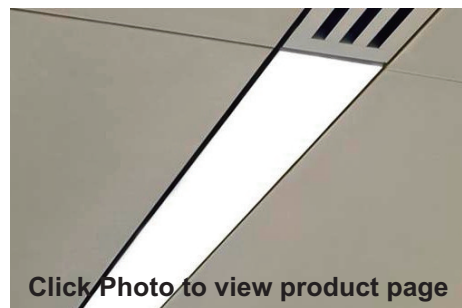


Because LED components continue to improve, click or scan QR code to view latest spec sheet.

CLICK FOR  
**FLUORESCENT**  
VERSION



**GB66RCTE-LED-ASLMD**



- Page 2 Specifications
- Page 3 Standard and High Output Photometric Information / Lens Images
- Page 5 Mounting Details
- Page 6 Standard Colors / Finishes

Gammalux Lighting Systems reserves the right to change details of fixture designs and construction at any time.

**Product Overview** (for complete specifications, see page 2)

**Construction:** Extruded aluminum housing is available in lengths up to 16'. Continuous runs have hairline joints with no light leak. Runs of fixtures can be built to lengths matching field conditions. Housing is designed for integration with Hunter Douglas Techstyle or Echelon ceiling system.

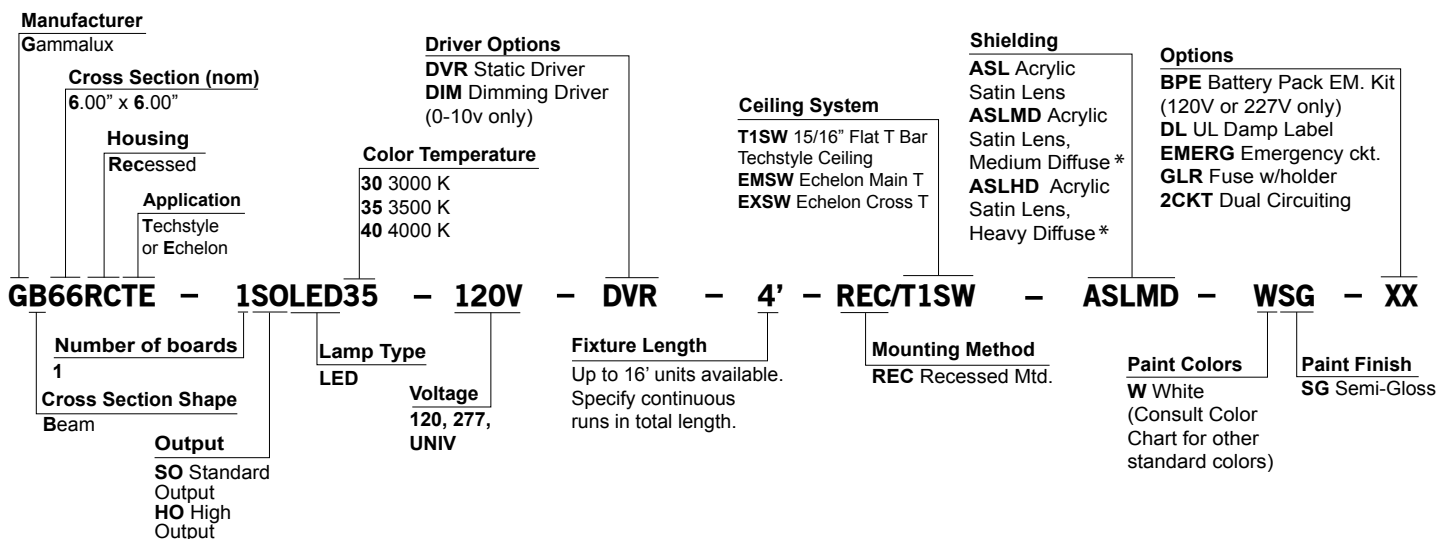
**Electrical:** Gammalux products are UL and cUL listed with quick electrical connectors and LED components by OSRAM SYLVANIA. Dimming driver requires 0-10v control. Runs of fixtures are tested as a complete system prior to shipping. LED components and specifications subject to change without notice.

**Optical:** Lenses available in standard (**ASL**), medium (**ASLMD**) and heavy diffusion (**ASLHD**) to provide varying degrees of output and reduced visibility of individual LEDs. Gammalux recommends ASLMD or ASLHD lenses because LEDs may be noticeable through standard ASL lens. See lens images on pages 3 and 4.

**Finish/Color:** High quality paint finish in semi-gloss.

**Packing and Shipping:** Our packing, labeling and shipping systems ensure products arrive safely, ready to install.

**Standard Nomenclature**



\*Gammalux recommends ASLMD or ASLHD lenses because LEDs may be noticeable through standard ASL lens.



## Specifications

### Construction

**Housing:** Extruded aluminum body 6.00" wide x 6.00" high, 6063T5, 0.070" minimum thickness. Available in one piece, unbroken lengths up to 16'. Runs of fixtures are built to lengths matching exact field conditions. Telescoping modules are not acceptable. Factory-engineered drawings indicate the location of each board in continuous runs.

**Joiner System:** Automatic alignment, no loose parts, one tool to tighten two factory installed bolts for hairline seam. No light leaks. Fixtures that are built for continuous runs and patterns are assembled into a complete pattern and tested for fit and finish at the factory prior to being individually packed and shipped.

**Mounting:** Recessed into Hunter Douglas Contract Techstyle or Echelon ceiling system.

### Electrical

**Driver:** OSRAM SYLVANIA or equal universal voltage (specify **DVR**). Fixtures with **DVR** option are wired for static use only. Dimming driver (specify **DIM**) is 0-10v dimmable constant current. Additional driver options are available (consult factory). RoSH compliant and UL listed wiring and components throughout. Housing wired with quick-connect plugs at all mating joints and individually tested. Fixtures that are built for continuous runs and patterns are assembled into a complete pattern and tested at the factory prior to being individually packed and shipped. All fixtures bear UL & cUL labels. LED components and specifications subject to change without notice.

**LED Boards:** OSRAM SYLVANIA or equal constant current compatible with 0-10v dimming drivers. Distributed array for even illumination, high efficacy, 80 + CRI.

**LED System Lifespan:** Rated for 50,000 hours at 70% lumen output (L70). Life and output based on maximum ambient temperature of 25 degrees C. 5 year limited warranty on LED components.

### Optical Performance

**Acrylic Satin Lens:** Shall be 15% DR acrylic (specify **ASL**).

**Acrylic Satin Lens, Medium Diffuse:** Shall be 15% DR acrylic (specify **ASLMD**).

**Acrylic Satin Lens, Heavy Diffuse:** Shall be 15% DR acrylic (specify **ASLHD**).

**Performance:** See charts for total lumens per foot delivered by each output and lens option.

ESTIMATED LUMENS PER FOOT DELIVERED BY COMBINATION OF LED COLOR AND LENS							
STANDARD OUTPUT LED				HIGH OUTPUT LED			
LENS OPTIONS	3000 K LEDs	3500 K LEDs	4000 K LEDs	LENS OPTIONS	3000 K LEDs	3500 K LEDs	4000 K LEDs
STANDARD DIFFUSE LENS (ASL)	718.0	732.7	762.0	STANDARD DIFFUSE LENS (ASL)	957.3	976.9	1064.8
MEDIUM DIFFUSE LENS (ASLMD)	667.7	681.4	708.6	MEDIUM DIFFUSE LENS (ASLMD)	890.3	908.5	944.8
HEAVY DIFFUSE LENS (ASLHD)	488.0	498.2	518.1	HEAVY DIFFUSE LENS (ASLHD)	651.0	664.3	690.8

To obscure LED image, Gammalux recommends selection of Heavy Diffuse lens as first choice, then Medium Diffuse if additional output is necessary.  
\* IES files were created using 3500 K boards. Values were then adjusted by a factor of .98 for 3000 K boards and 1.04 for 4000 K boards.

### Finish

Housing assembly is electrostatically sprayed with high solids aliphatic two component polyurethane to an average thickness of 2 mils. over acid etching primer. Specify **SG** for semi-gloss.

### Packing and Shipping

Fixtures built for continuous rows and patterns are given a specific location identifier, clearly identified on factory layout drawings provided to installing contractor. Location identifier is printed on the fixture's ID Label, protective wrapping and on each end of fixture carton. Shipping pallets are built with 2" clearance, extending beyond the length and width of cartons, providing shipping protection.

Approximate weight of 4' module is 23 lbs. including carton. Weight of shipping pallet and supplemental packing materials not factored in.

# STANDARD OUTPUT FIXTURES

## FIXTURE USES LENS ASL (STANDARD DIFFUSE) AND 3500 K BOARDS.\*

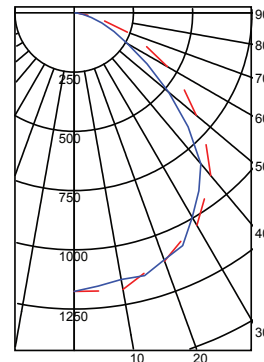
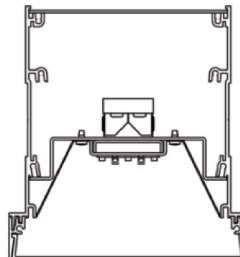
IESNA: LM 79-2008  
ISSUE DATE: 07/09/13  
TEST: GB66D-SOLED35-ASL.ies  
TESTLAB: Photopia 3.2.6 see: www.ltioptics.com/ies  
MANUFAC: GAMMALUX LIGHTING SYSTEMS  
LUMCAT: GB66D-1SOLED35-ASL 4'  
LAMP: 4- LED 7.3W L9LR/250C/835/DA3R/289x38 white (225mA)

### Summary Data

EFFICACY (Total): **85.95 LPW\*\***  
EFFICACY (Uplight): **0.0**  
EFFICACY (Downlight): **85.95**  
CIE CLASSIFICATION: DIRECT  
LUMINOUS OPENING: RECTANGULAR  
Width: 0.50 (Feet)  
Length: 4.00  
Height: 0.50  
INPUT WATTS: 34.1



Acrylic Satin Lens (ASL)



Quadrilaterally Symmetric  
Dashed: 0 Degrees Solid: 90 Degrees

## FIXTURE USES LENS ASLMD (MEDIUM DIFFUSE) AND 3500 K BOARDS.\*

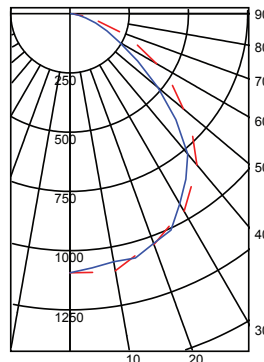
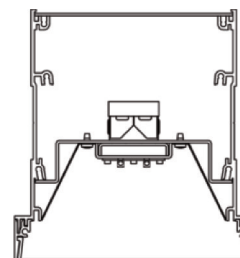
IESNA: LM 79-2008  
ISSUE DATE: 07/09/13  
TEST: GB66D-SOLED35-ASLMD.ies  
TESTLAB: Photopia 3.2.6 see: www.ltioptics.com/ies  
MANUFAC: GAMMALUX LIGHTING SYSTEMS  
LUMCAT: GB66D-1SOLED35-ASLMD 4'  
LAMP: 4- LED 7.3W L9LR/250C/835/DA3R/289x38 white (225mA)

### Summary Data

EFFICACY (Total): **79.93 LPW\*\***  
EFFICACY (Uplight): **0.0**  
EFFICACY (Downlight): **79.93**  
CIE CLASSIFICATION: DIRECT  
LUMINOUS OPENING: RECTANGULAR  
Width: 0.50 (Feet)  
Length: 4.00  
Height: 0.50  
INPUT WATTS: 34.1



Acrylic Satin Lens, Medium Diffuse (ASLMD)



Quadrilaterally Symmetric  
Dashed: 0 Degrees Solid: 90 Degrees

## FIXTURE USES LENS ASLHD (HEAVY DIFFUSE) AND 3500 K BOARDS.\*

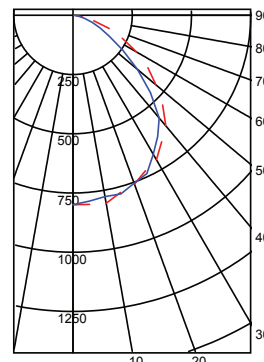
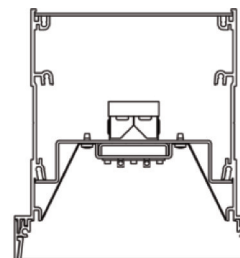
IESNA: LM 79-2008  
ISSUE DATE: 07/09/13  
TEST: GB66D-SOLED35-ASLHD.ies  
TESTLAB: Photopia 3.2.6 see: www.ltioptics.com/ies  
MANUFAC: GAMMALUX LIGHTING SYSTEMS  
LUMCAT: GB66D-1SOLED35-ASLHD 4'  
LAMP: 4- LED 7.3W L9LR/250C/835/DA3R/289x38 white (225mA)

### Summary Data

EFFICACY (Total): **58.44 LPW\*\***  
EFFICACY (Uplight): **0.0**  
EFFICACY (Downlight): **58.44**  
CIE CLASSIFICATION: DIRECT  
LUMINOUS OPENING: RECTANGULAR  
Width: 0.50 (Feet)  
Length: 4.00  
Height: 0.50  
INPUT WATTS: 34.1



Acrylic Satin Lens, Heavy Diffuse (ASLHD)



Quadrilaterally Symmetric  
Dashed: 0 Degrees Solid: 90 Degrees

\* See performance notes, page 2.

IES files were created using 3500 K boards. When using calculation programs, multiply lumen output or set correction factor to .98 for 3000 K boards and 1.04 for 4000 K boards. \*\*Efficacy is a measure of lumens per watt, as delivered through the fixture aperture.

# HIGH OUTPUT FIXTURES

## FIXTURE USES LENS ASL (STANDARD DIFFUSE) AND 3500 K BOARDS.\*

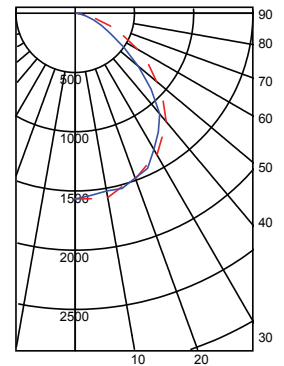
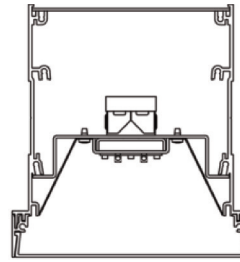
IESNA: LM 79-2008  
ISSUE DATE: 07/09/13  
TEST: GB66D-HOLED35-ASL.ies  
TESTLAB: Photopia 3.2.6 see: www.ltioptics.com/ies  
MANUFAC: GAMMALUX LIGHTING SYSTEMS  
LUMCAT: GB66D-1HOLED35-ASL 4'  
LAMP: 4- LED 10.5W L9LR/250C/835/DA3R/289x38 white (300mA)

### Summary Data

EFFICACY (Total): **80.07 LPW\*\***  
EFFICACY (Uplight): **0.0**  
EFFICACY (Downlight): **80.07**  
CIE CLASSIFICATION: **DIRECT**  
LUMINOUS OPENING: **RECTANGULAR**  
Width: 0.50 (Feet)  
Length: 4.00  
Height: 0.50  
INPUT WATTS: 48.8



Acrylic Satin Lens  
(ASL)



Quadralaterally Symmetric  
Dashed: 0 Degrees Solid: 90 Degrees

## FIXTURE USES LENS ASLMD (MEDIUM DIFFUSE) AND 3500 K BOARDS.\*

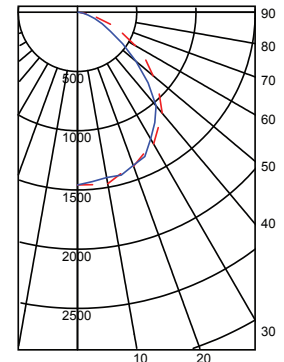
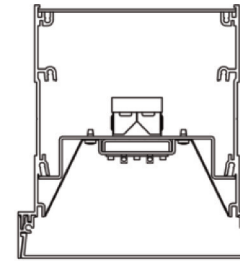
IESNA: LM 79-2008  
ISSUE DATE: 07/09/13  
TEST: GB66D-HOLED35-ASLMD.ies  
TESTLAB: Photopia 3.2.6 see: www.ltioptics.com/ies  
MANUFAC: GAMMALUX LIGHTING SYSTEMS  
LUMCAT: GB66D-1HOLED35-ASLMD 4'  
LAMP: 4- LED 10.5W L9LR/250C/835/DA3R/289x38 white (300mA)

### Summary Data

EFFICACY (Total): **74.47 LPW\*\***  
EFFICACY (Uplight): **0.0**  
EFFICACY (Downlight): **74.47**  
CIE CLASSIFICATION: **DIRECT**  
LUMINOUS OPENING: **RECTANGULAR**  
Width: 0.50 (Feet)  
Length: 4.00  
Height: 0.50  
INPUT WATTS: 48.8



Acrylic Satin Lens,  
Medium Diffuse  
(ASLMD)



Quadralaterally Symmetric  
Dashed: 0 Degrees Solid: 90 Degrees

## FIXTURE USES LENS ASLHD (HEAVY DIFFUSE) AND 3500 K BOARDS.\*

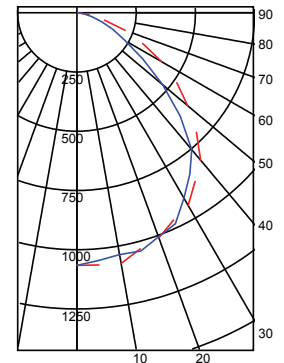
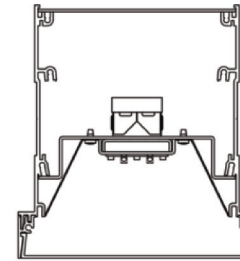
IESNA: LM 79-2008  
ISSUE DATE: 07/09/13  
TEST: GB66D-HOLED35-ASLHD.ies  
TESTLAB: Photopia 3.2.6 see: www.ltioptics.com/ies  
MANUFAC: GAMMALUX LIGHTING SYSTEMS  
LUMCAT: GB66D-1HOLED35-ASLHD 4'  
LAMP: 4- LED 10.5W L9LR/250C/835/DA3R/289x38 white (300mA)

### Summary Data

EFFICACY (Total): **54.45 LPW\*\***  
EFFICACY (Uplight): **0.0**  
EFFICACY (Downlight): **54.45**  
CIE CLASSIFICATION: **DIRECT**  
LUMINOUS OPENING: **RECTANGULAR**  
Width: 0.50 (Feet)  
Length: 4.00  
Height: 0.50  
INPUT WATTS: 48.8



Acrylic Satin Lens,  
Heavy Diffuse  
(ASLHD)



Quadralaterally Symmetric  
Dashed: 0 Degrees Solid: 90 Degrees

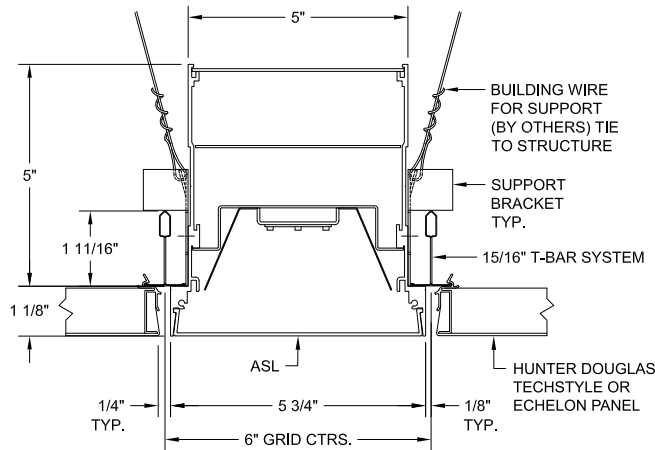
\* See performance notes, page 2.

IES files were created using 3500 K boards. When using calculation programs, multiply lumen output or set correction factor to .98 for 3000 K boards and 1.04 for 4000 K boards. \*\*Efficacy is a measure of lumens per watt, as delivered through the fixture aperture.

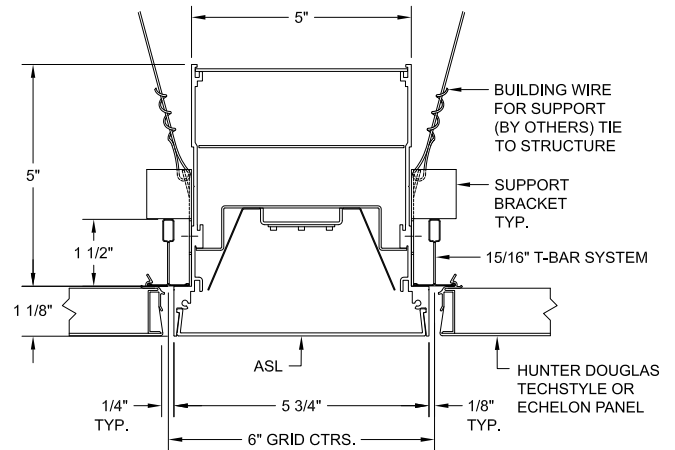
**Mounting Details**

**Factory Drawings:** Fully dimensioned factory drawings will be provided upon receipt of purchase order.

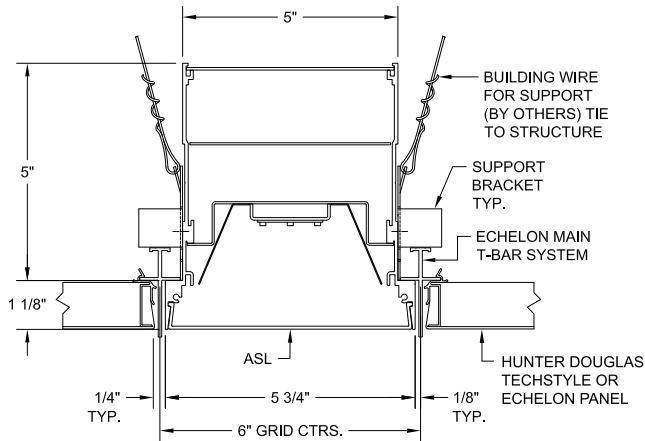
**15/16" T Bar - 1 11/16" tall:**  
Specify **T1SW** code in catalog #



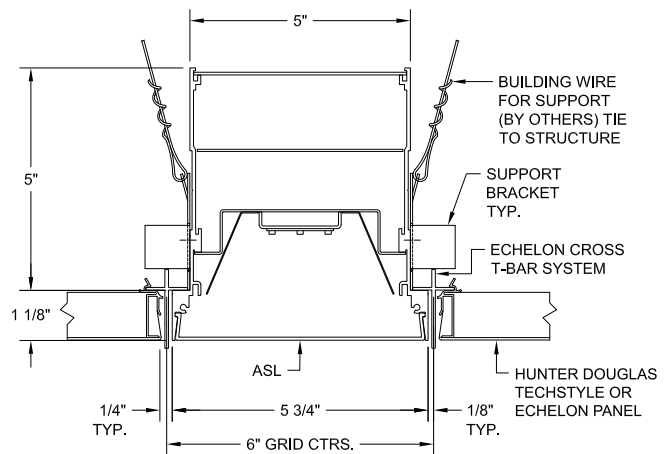
**15/16" T Bar - 1 1/2" tall:**  
Specify **T1SW** code in catalog #



**Echelon Main T Bar:**  
Specify **EMSW** code in catalog #



**Echelon Cross T Bar:**  
Specify **EXSW** code in catalog #



**Mounting bracket is field adjustable to accommodate all four conditions.**

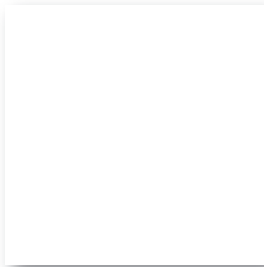
**Gammalux Lighting Systems reserves the right to change details of fixture design and construction at any time.**

**Standard Colors / Finishes**

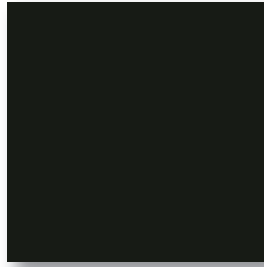
---

**Due to variances in computer monitors and color printers, this page should be used for general reference only.  
For a sheet of physical color samples, please consult factory.**

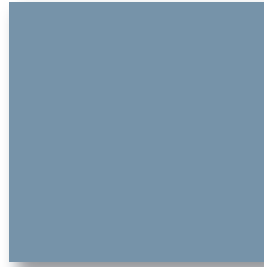
**Semi Gloss Finish**



White (WSG)



Black (BKSG)



Satin Aluminum (SAPSG)

**Due to variances in computer monitors and color printers, this page should be used for general reference only.  
For a sheet of physical color samples, please consult factory.**