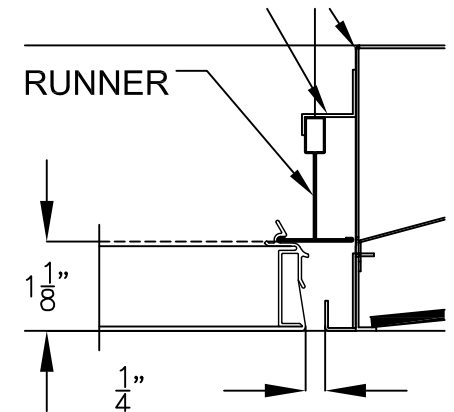


**SPECIFICATIONS:**  
 HOUSING: DIE FORMED 20 GA. CRS WHITE FINISH  
 LAMPS: 2- 40W TT BIAx LAMPS (SUPPLIED BY OTHERS)  
 BALLAST: ELECTRONIC BALLAST  
 MULTI-VOLTAGE 120V/277V  
 REFLECTOR: 20 GAUGE COLD ROLLED STEEL  
 POWDER PAINTED WHITE  
 SHIELDING: WHITE OPAL LAY-IN LENS  
 ELECTRICAL LABEL: UL, IBEW LOCAL 3

**NOTICE:**  
 1. PICASSO LIGHTING INDUSTRIES,LLC RESERVES THE RIGHT TO MAKE ANY DESIGN CHANGES FOR CONTINUOUS IMPROVEMENT WHICH WILL NOT AFFECT THE OVERALL APPEARANCE OR PERFORMANCE.  
 2. ALL CEILINGS TO BE ADEQUATELY REINFORCED BY OTHERS.  
 3. ALL FIXTURES TO BE WIRED BY CERTIFIED ELECTRICIAN ONLY.  
 4. THIS INFORMATION IS PROPERTY OF PICASSO LIGHTING INDUSTRIES LLC, AND THE INFORMATION IT CONTAINS MAY NOT BE USED WITHOUT ANY WRITTEN CONSENT OF PICASSO LIGHTING INDUSTRIES,LLC.

Techstyle Acoustical Ceilings are to be installed on standard commercial 15/16th T-grid as indicated in this detail. The T-grid is to be installed true and square in accordance with Cisca guidelines, ASTM C635-91 and C636-92



Project:  
HUNTER DOUGLAS



**PICASSO LIGHTING INDUSTRIES,LLC**  
 561 SOUTH 4TH AVE. MT VERNON, NY 10550  
 T: 914-668-6848-F: 914-668-6846  
 WWW.PICASSOLTG.COM

Drawing Number: SD11-0023

Catalog #: JAC-22-TECHSTYLE-240W-BX-ELB-UE

APPROVAL REQUIRED  
 YES ( ) NO ( )  
 APPROVAL SIGNATURE \_\_\_\_\_  
 PLEASE PRINT NAME \_\_\_\_\_  
 DATE: \_\_\_\_\_

Members of:



Name: DUARTE Rev#: 000

Date: 02/18/2011 Scale: Full Size

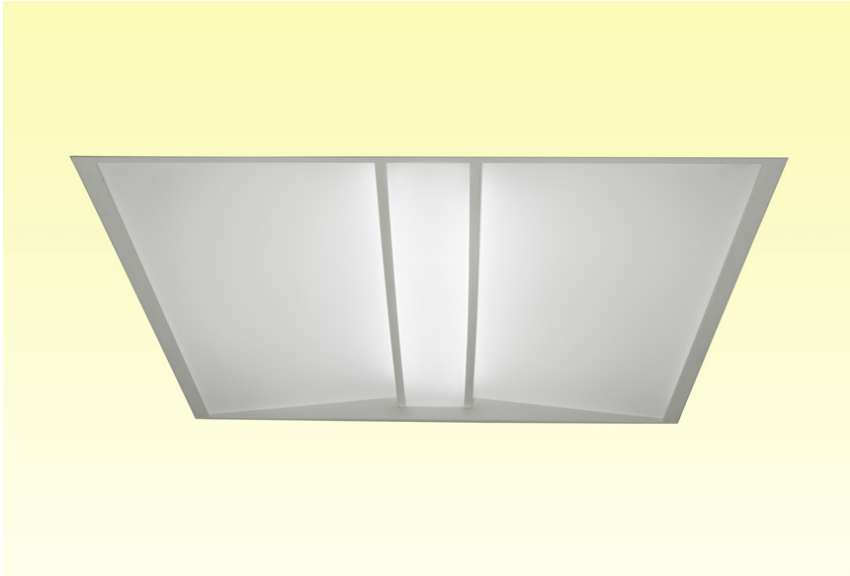
RECESSED

# JACQUELINE SERIES

## RECESSED DIRECT / INDIRECT LUMINAIRE

FIXTURE TYPE

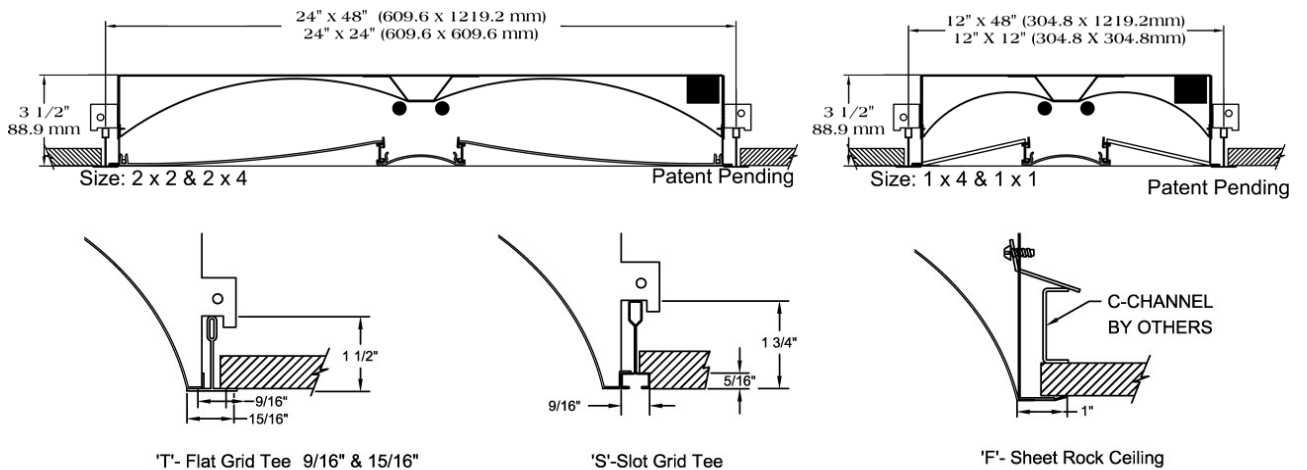
PROJECT



### PRODUCT FEATURES

- Recessed luminaire with an optically enhanced diffuser that creates even low brightness illumination
- Shallow 3 1/2" deep body (T8 is 5 1/2" deep)
- Available with T5, T5HO, T8 and Biax lamps for 1x4, 2x2, and 2x4 luminaires

### FIXTURE DETAILS



### SPECIFICATIONS

- HOUSING** Die formed 20 gauge steel. Knockouts are provided on the back of the housing.
- REFLECTOR** Die formed cold rolled steel. Powder coated white finish, 92% reflectance.
- SHIELDING** Frosted acrylic lens, lift and shift for easy relamping. Optional lenses available.
- MOUNTING** Recessed lay-in 9/16" and 15/16" T-grid, 9/16" slot grid, or flanged for sheetrock.
- FINISH** High reflectance powder coated matte white.



PICASSO LIGHTING INDUSTRIES, LLC

561 South 4th Avenue, Mount Vernon, NY 10550 T 914.668.6848 F 914.668.6846 www.picassoltg.com ©2011 Picasso Lighting Industries, LLC

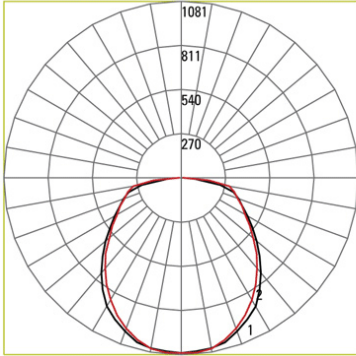
- BALLAST** Electronic ballast. (See ordering format for different configurations.)
- LAMPS** T5, T5HO and Biax configurations. (See ordering format for lamp configurations.)
- LABELING** UL/CUL Listed. I.B.E.W. (Local 3). Made in the U.S.A.
- MEMBERS** US Green Building Council member, IESNA sustaining member.

## PHOTOMETRICS

IES Report for Catalog Number JAC-22-224W T5 HO-ELB, Lamps 2-24W T5 HO

IES INDOOR REPORT PHOTOMETRIC FILENAME JAC-22-224W T5 HO-ELB.IES

### POLAR GRAPH



— # 1 Vertical Plane Through Horizontal Angles (90 -270)  
 — # 2 Vertical Plane Through Horizontal Angles (0 -180)

### COEFFICIENTS OF UTILIZATION – ZONAL CAVITY METHOD

Effective Floor Cavity Reflectance 0.20

RC	80			70			50			30			10			0		
RW	70	50	30	10	70	50	30	10	50	30	10	50	30	10	50	30	10	0
0	96	96	96	96	93	93	93	93	89	89	89	85	85	85	82	82	82	80
1	86	82	78	74	84	80	76	73	76	73	71	73	71	68	70	68	66	65
2	78	70	64	59	75	69	63	58	66	61	57	63	59	56	61	57	54	53
3	71	61	54	49	68	60	54	48	58	52	47	55	51	46	53	49	46	44
4	64	54	47	41	63	53	46	41	51	45	40	49	44	40	47	43	39	37
5	59	48	41	35	57	47	40	35	46	39	35	44	39	34	43	38	34	32
6	55	44	36	31	53	43	36	31	41	35	30	40	34	30	39	34	30	28
7	51	40	32	27	49	39	32	27	38	31	27	36	31	27	35	30	26	25
8	47	36	29	24	46	36	29	24	34	28	24	33	28	24	32	27	24	22
9	44	33	26	22	43	33	26	22	32	26	22	31	25	22	30	25	21	20
10	41	31	24	20	40	30	24	20	29	24	20	29	23	20	28	23	19	18

### ZONAL LUMEN SUMMARY

Zone	Lumens	%Lamp	%Fixt
0-30	825.14	20.6	25.7
0-40	1334.99	33.4	41.6
0-60	2317.72	57.9	72.2
0-90	3212.29	80.3	100
90-120	0	0	0
90-130	0	0	0
90-150	0	0	0
90-180	0	0	0
0-180	3212.29	80.3	100

TOTAL LUMINAIRE EFFICIENCY: 80.3%

LUMINAIRE EFFICACY RATING: 62

PLANE 0° 90°

SPACING CRITERIA: 1.20 1.26

LUMINOUS SIZE: 1.92 ft 1.97 ft

\* Visit our website [www.picassoltg.com](http://www.picassoltg.com) to download IES files and Photometric Reports.

\* Please consult with Picasso Lighting for application layouts.

## ORDERING FORMAT

SERIES	SIZE	LAMPING	MOUNTING	BALLAST	VOLTAGE	OPTIONS	
<b>Jacqueline</b>	11:1X1	2-18W BIAX	F: Flanged for sheetrock S: Slot Grid T: T-Bar (9/16" & 15/16")	ELB: Electronic ELB/DIM: Dimming-Specify type and voltage	UE: 120V-277V	AR: Air Return CP: Chicago Plenum/CCEA Approved EM: Emergency Battery-Specify Voltage LPI: Lamps supplied by others/installed by Picasso MSF: Master Fixture OPW: Opal White Lens SC: Separate Circuit SLF: Slave Fixture WH: 6' Whip Attached	
		14:1X4					1-28W T5 1-54W T5HO 2-28W T5 2-32W T8 2-40W BIAX 2-50W BIAX 2-54W T5HO 3-32W T8
	22:2X2	2-14W T5 2-17W T8 2-24W T5HO 2-40W BIAX 2-50W BIAX 3-17W T8					
		24:2X4					2-28W T5 2-32W T8 2-54W T5HO 3-32W T8 4-40W BIAX 4-50W BIAX

YOUR ORDER

JAC

Note: Picasso lighting industries, LLC reserves the right to make any design changes for continuous improvement which will not affect the overall appearance or performance. All ceilings to be adequately reinforced by others. All fixtures to be wired by licensed electrician only. The information contained herein is the sole property of Picasso Lighting Industries, LLC and may not be used without prior written consent of Picasso Lighting Industries, LLC. The 'USGBC member logo' is a trademark owned by the U.S. Green building council and is used by permission. The logo signifies only that Picasso Lighting Industries, LLC is a USGBC member; USGBC does not review, certify, or endorse the products or services offered by its members.



**PICASSO LIGHTING INDUSTRIES, LLC**

561 South 4th Avenue, Mount Vernon, NY 10550 T 914.668.6848 F 914.668.6846 [www.picassoltg.com](http://www.picassoltg.com) ©2011 Picasso Lighting Industries, LLC