

WOODWRIGHT™
CEILINGS

PLANK & TILE
GLADIUS™



The Gladius™ Woodwright™ ceiling panel snaps into place on a 15/16" grid system using a patented "stab and click" design. The self-centering, self-leveling, and self-aligning installation is confirmed by an audible "click".

Project: W.R. Davies Student Center (Univ of Wisconsin), Eau Claire, WI; Woodwright™ Gladius™

KEY FEATURES

- Panel size: 24" x 24"
- Square-edge design
- Waste reduction with factory fabricated dimensional material
- Downweight: reduce dead load with lightweight aluminum
- Easy plenum access
- Interior and exterior applications
- Compatible with industry standard lighting, HVAC, speaker, fire safety, and security services

COLORS & FINISHES

Woodwright™ finishes available in painted wood-look finish. See page 180 for all finishes.



Maple Cherry Walnut

Standard colors Natural and Cotton White shown. Client-specific colors available. Minimum quantities may apply. Colors are for illustrative purposes. See page 178 for all colors and finishes.

Standard colors



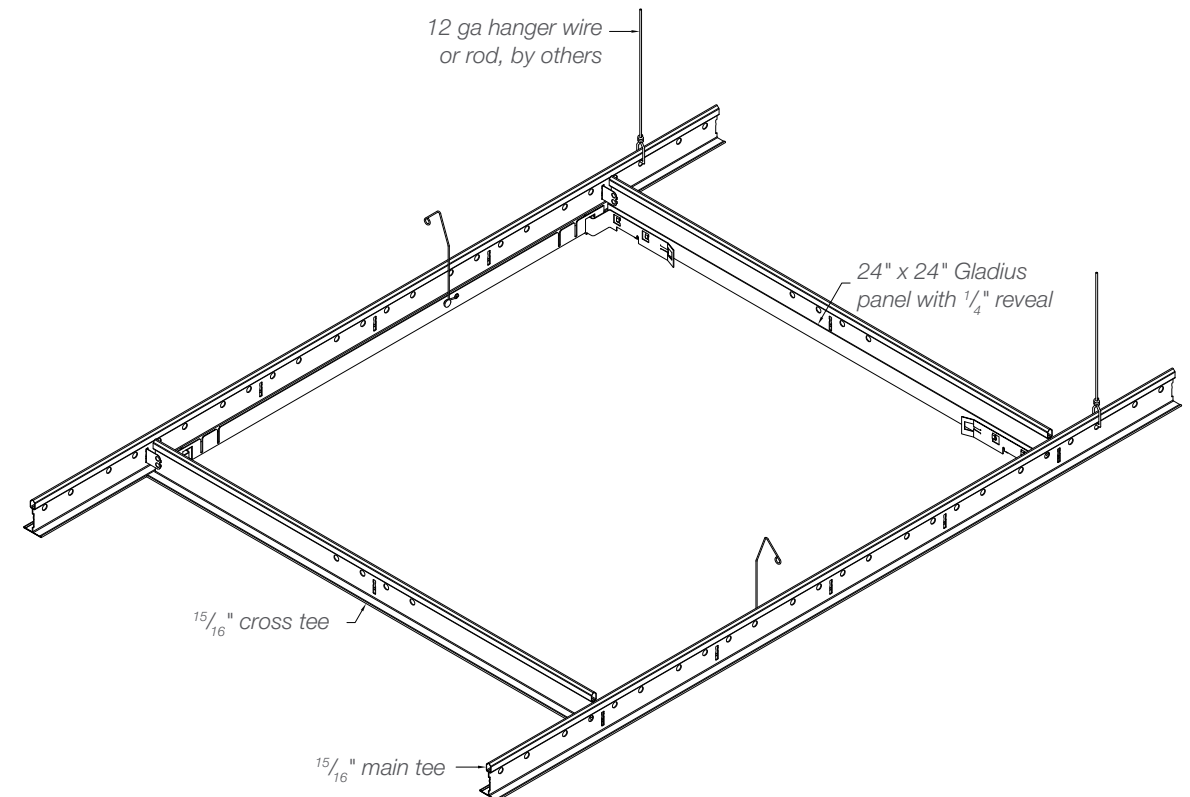
Natural Cotton White

Custom colors



Custom

TYPICAL ISOMETRICS



PERFORATION PATTERNS

Please consult Hunter Douglas for perforation options.

PHYSICAL DATA

- Substrate:** Aluminum
- Warranty:** 1 year
- Seismic rating:** Zones A,B,C,D,E,F
- Fire rating:** Class A Fire Rated per ASTM E84
– Painted or anodized metal: Flame spread: ≤ 25, Smoke ≤ 50
- Weight:** 1.1 lbs/sq.ft.
- Wind load:** Per code (for exterior applications)
- Recycled content:** Up to 92%
- Light reflectance:** Varies with finish
- Acoustical ratings – NRC:** See page 190

BIM

REVIT files available for BIM contributions, see website for details.

LEED V4 CREDITS

- EA:** Optimize Energy Performance
- MR:** Building Product Disclosure
- EQ:** Low-Emitting Materials
- EQ:** Indoor Air Quality Assessment
- EQ:** Acoustic Performance

CERTIFICATIONS

GREENGUARD Gold Certified
HPDs & EPDs – available upon request