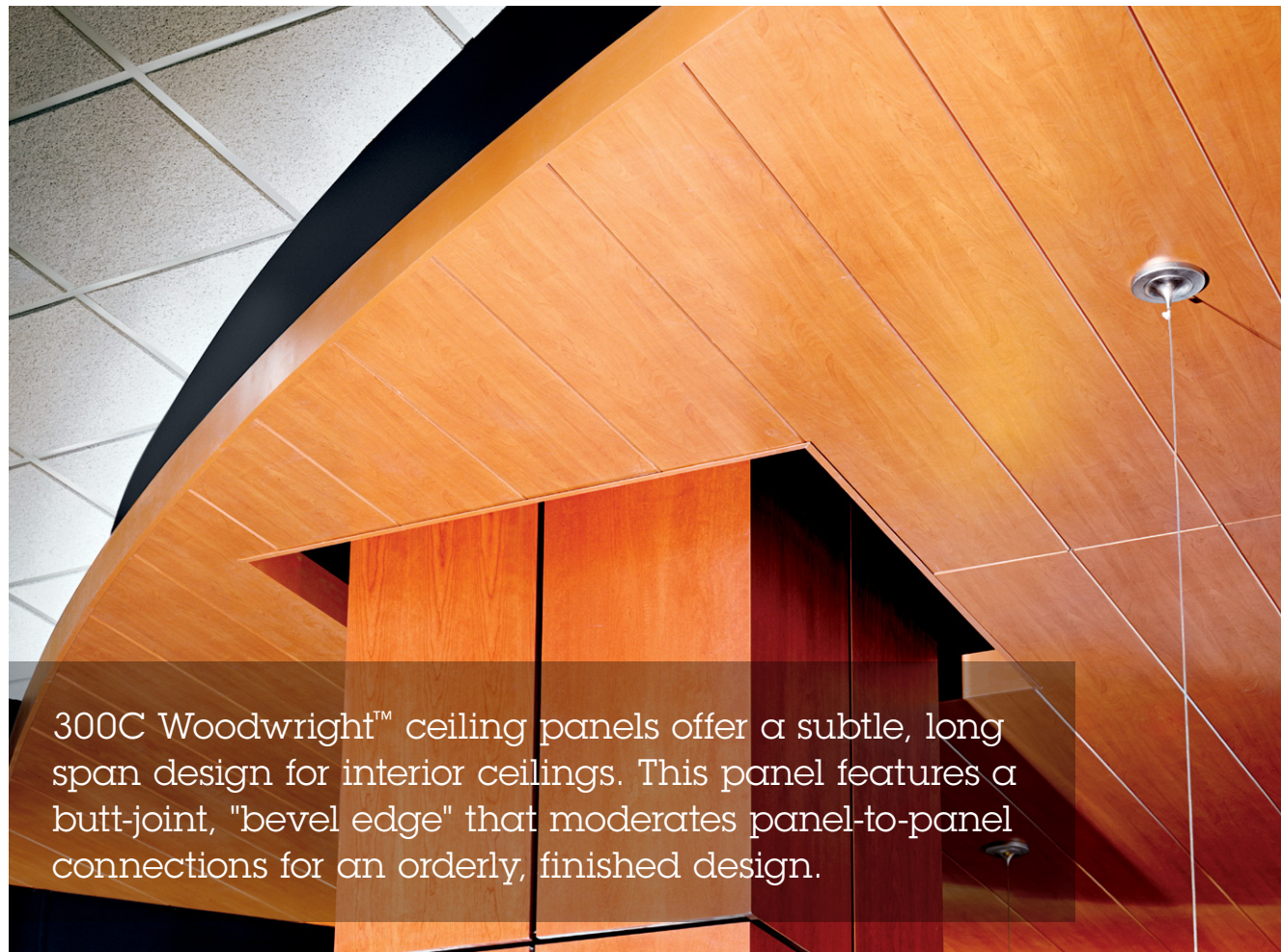


WOODWRIGHT™  
CEILINGS

LINEAR PLANK  
300C



300C Woodwright™ ceiling panels offer a subtle, long span design for interior ceilings. This panel features a butt-joint, "bevel edge" that moderates panel-to-panel connections for an orderly, finished design.

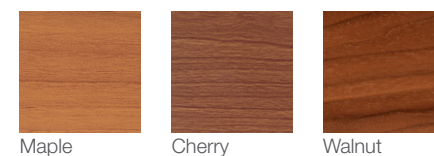
Project: Sears Centre, Hoffman Estates, IL; Woodwright™ 300C

KEY FEATURES

- Panel width: 12" nom. [300 mm]
- Panel length: 3' to 19'-8"
- Bevel-edge design
- Waste reduction with factory fabricated dimensional material
- Downweight: reduce dead load with lightweight aluminum
- Easy plenum access
- Interior and exterior applications
- Compatible with industry standard lighting, HVAC, speaker, fire safety, and security services

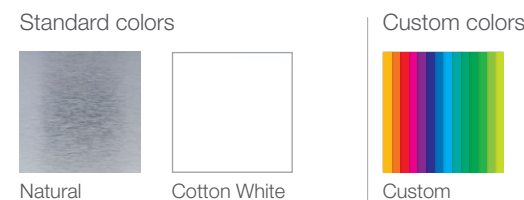
COLORS & FINISHES

Woodwright™ finishes include our painted wood-look finish and real wood veneers. See page 180 for all finishes.



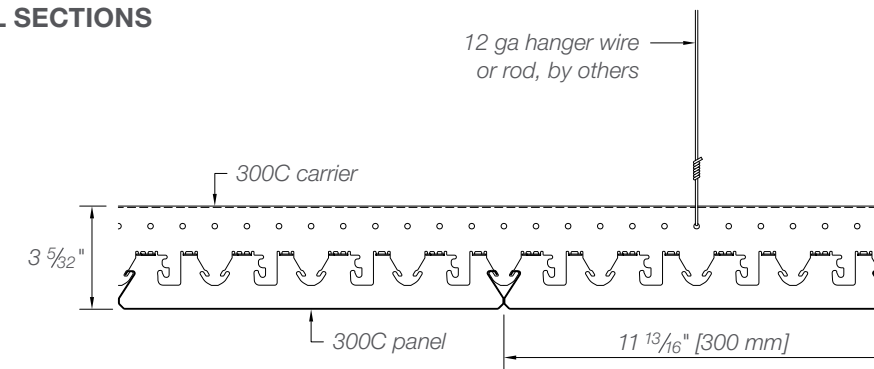
Maple Cherry Walnut

Standard colors Natural and Cotton White shown. Client-specific colors available. Minimum quantities may apply. Colors are for illustrative purposes. See page 178 for all colors and finishes.

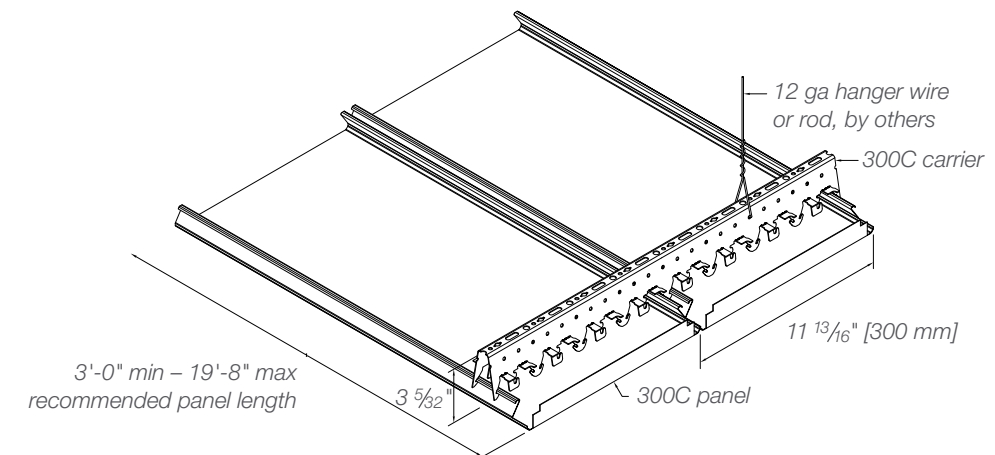


Natural Cotton White Custom

TYPICAL SECTIONS



TYPICAL ISOMETRICS



PERFORATION PATTERNS

Please consult Hunter Douglas for perforation options.

PHYSICAL DATA

- Substrate:** Aluminum
- Warranty:** 1 year
- Seismic rating:** Zones A,B,C,D,E,F
- Fire rating:** Class A Fire Rated per ASTM E84
  - Painted or anodized metal: Flame spread: ≤ 25, Smoke ≤ 50
  - Film on metal: Flame spread: ≤ 25, Smoke ≤ 50
  - Wood veneer on metal: Flame spread: ≤ 25, Smoke ≤ 55 (for interior applications)
- Weight:** Varies 0.6 – 0.85 lbs./sq.ft.
- Wind load:** Per code (for exterior applications)
- Recycled content:** Up to 92%
- Light reflectance:** Varies with finish
- Acoustical ratings – NRC:** See page 190

BIM

REVIT files available for BIM contributions, see website for details.

LEED V4 CREDITS

- EA:** Optimize Energy Performance
- MR:** Building Product Disclosure
- EQ:** Low-Emitting Materials
- EQ:** Indoor Air Quality Assessment
- EQ:** Acoustic Performance

CERTIFICATIONS

GREENGUARD Gold Certified  
FSC chain of custody veneers available  
HPDs & EPDs – available upon request