



The Box and Deep Box Linear Woodwright™ ceiling systems use a universal carrier for simple design and installation.

Project: Bill and Hillary Clinton National Airport, Little Rock, AR; Woodwright™ Deep Box 2

KEY FEATURES

- Panel module width: 2"
- Panel lengths: 3' to 16'
- Panel depths:
 - 5/8" (Box 2)
 - 1 1/2" (Deep Box 2)
- Square-edge design
- Curved carrier application available
- Waste reduction with factory fabricated dimensional material
- Downweight: reduce dead load with lightweight aluminum
- Easy plenum access
- Interior and exterior applications
- Compatible with industry standard lighting, HVAC, speaker, fire safety, and security services

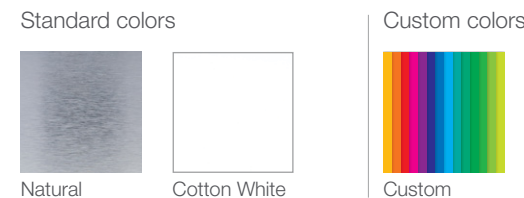
COLORS & FINISHES

Woodwright™ finishes include our painted wood-look finish, real wood veneers and laminated wood-look films. See page 180 for all finishes.



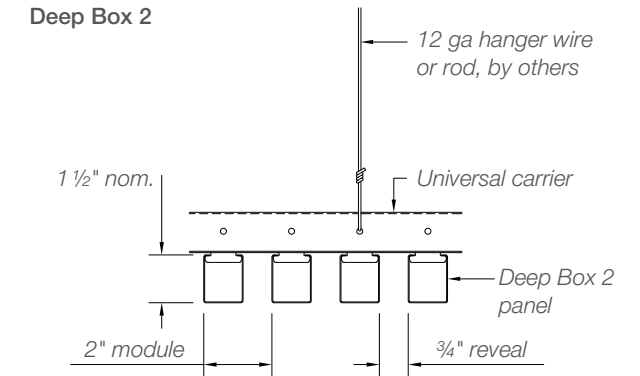
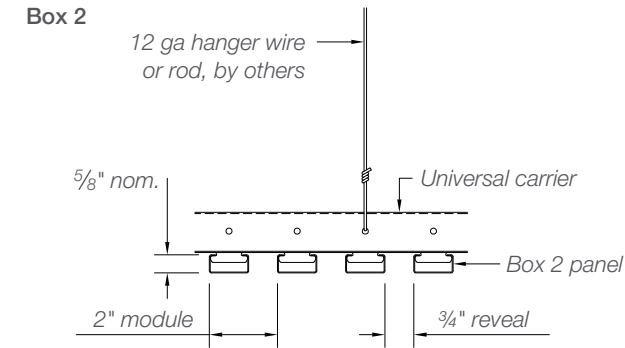
Maple Cherry Walnut

Standard colors Natural and Cotton White shown. Client-specific colors available. Minimum quantities may apply. Colors are for illustrative purposes. See page 178 for all colors and finishes.

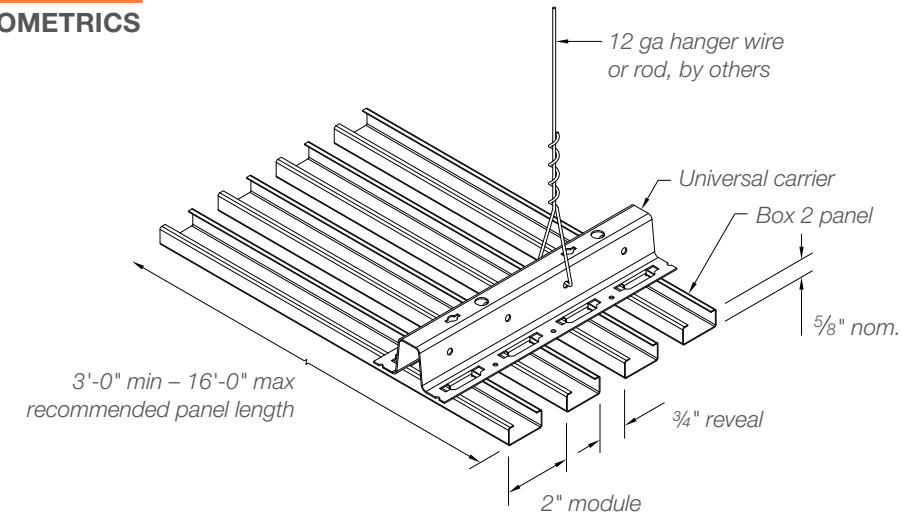


Natural Cotton White Custom

TYPICAL SECTIONS



TYPICAL ISOMETRICS



PERFORATION PATTERNS

Box 2 and Deep Box 2 available only non-perforated.



Non-perforated

PHYSICAL DATA

- Substrate:** Aluminum
- Warranty:** 1 year
- Seismic rating:** Zones A,B,C,D,E,F
- Fire rating:** Class A Fire Rated per ASTM E84
 - Painted or anodized metal: Flame spread: ≤ 25, Smoke ≤ 50
 - Film on metal: Flame spread: ≤ 25, Smoke ≤ 50
 - Wood veneer on metal: Flame spread: ≤ 25, Smoke ≤ 55 (for interior applications)
- Weight:** Varies 0.6 – 1.0 lbs./sq.ft.
- Wind load:** Per code (for exterior applications)
- Recycled content:** Up to 92%
- Light reflectance:** Varies with finish
- Acoustical ratings – NRC:** See page 190

BIM

REVIT files available for BIM contributions, see website for details.

LEED V4 CREDITS

- EA:** Optimize Energy Performance
- MR:** Building Product Disclosure
- EQ:** Low-Emitting Materials
- EQ:** Indoor Air Quality Assessment
- EQ:** Acoustic Performance

CERTIFICATIONS

GREENGUARD Gold Certified
FSC chain of custody veneers available
HPDs & EPDs – available upon request