



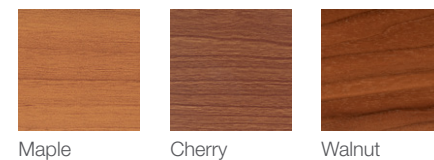
The Multi-Box Linear Woodwright™ ceiling system uses a universal carrier enabling an unlimited combination of panel depths and widths using Box and Deep Box 2", 4", 6" and 8" panels.

KEY FEATURES

- Panel module widths: 2", 4", 6" and 8"
- Panel lengths: 3' to 16'
- Panel depths:
 - 5/8" (Box 2, 4, 6 & 8)
 - 1 1/2" (Deep Box 2)
 - 1" (Deep Box 4, 6 & 8)
- Square-edge design
- Curved carrier application available
- Waste reduction with factory fabricated dimensional material
- Downweight: reduce dead load with lightweight aluminum
- Easy plenum access
- Interior and exterior applications
- Compatible with industry standard lighting, HVAC, speaker, fire safety, and security services

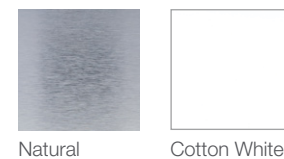
COLORS & FINISHES

Woodwright™ finishes include our painted wood-look finish, real wood veneers and laminated wood-look films. See page 180 for all finishes.



Standard colors Natural and Cotton White shown. Client-specific colors available. Minimum quantities may apply. Colors are for illustrative purposes.

Standard colors

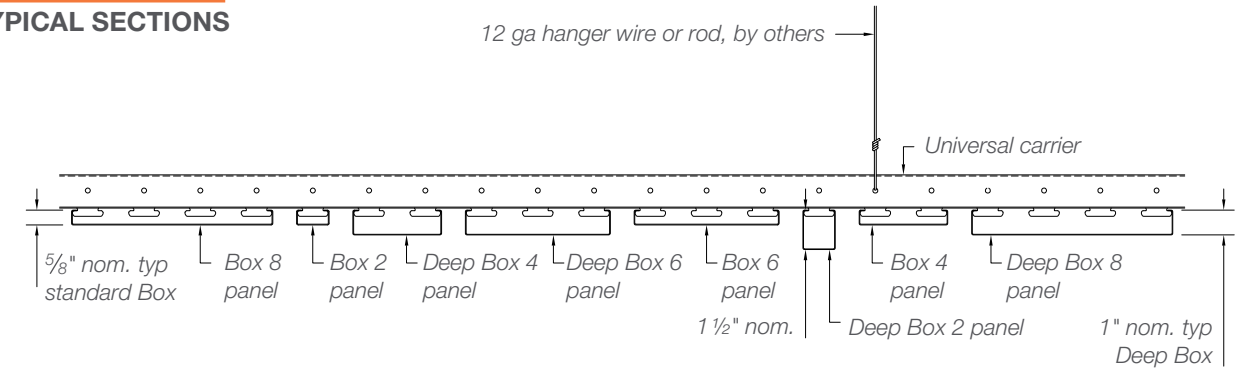


Custom colors



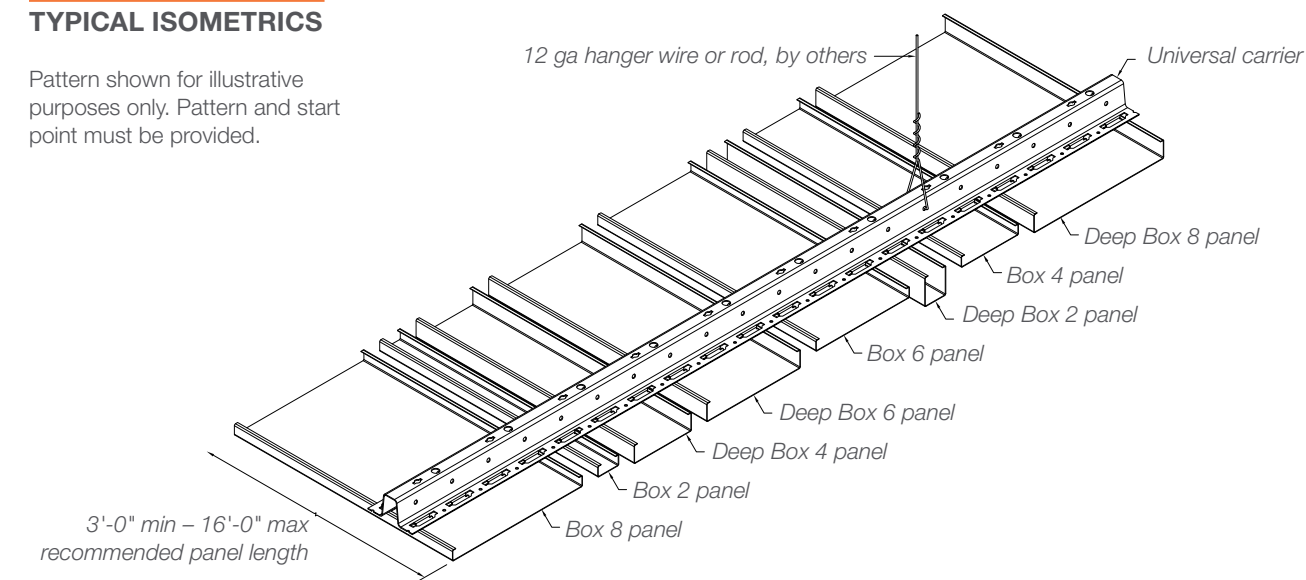
Custom

TYPICAL SECTIONS



TYPICAL ISOMETRICS

Pattern shown for illustrative purposes only. Pattern and start point must be provided.



PERFORATION PATTERNS

Please consult Hunter Douglas for perforation options.

PHYSICAL DATA

- Substrate:** Aluminum
- Warranty:** 1 year
- Seismic rating:** Zones A,B,C,D,E,F
- Fire rating:** Class A Fire Rated per ASTM E84
 - Painted or anodized metal: Flame spread: ≤ 25, Smoke ≤ 50
 - Film on metal: Flame spread: ≤ 25, Smoke ≤ 50
 - Wood veneer on metal: Flame spread: ≤ 25, Smoke ≤ 55 (for interior applications)
- Weight:** Varies 0.6 – 1.0 lbs./sq.ft.
- Wind load:** Per code (for exterior applications)
- Recycled content:** Up to 92%
- Light reflectance:** Varies with finish
- Acoustical ratings – NRC:** See page 190

BIM

REVIT files available for BIM contributions, see website for details.

LEED V4 CREDITS

- EA:** Optimize Energy Performance
- MR:** Building Product Disclosure
- EQ:** Low-Emitting Materials
- EQ:** Indoor Air Quality Assessment
- EQ:** Acoustic Performance

CERTIFICATIONS

GREENGUARD Gold Certified
FSC chain of custody veneers available
HPDs & EPDs – available upon request