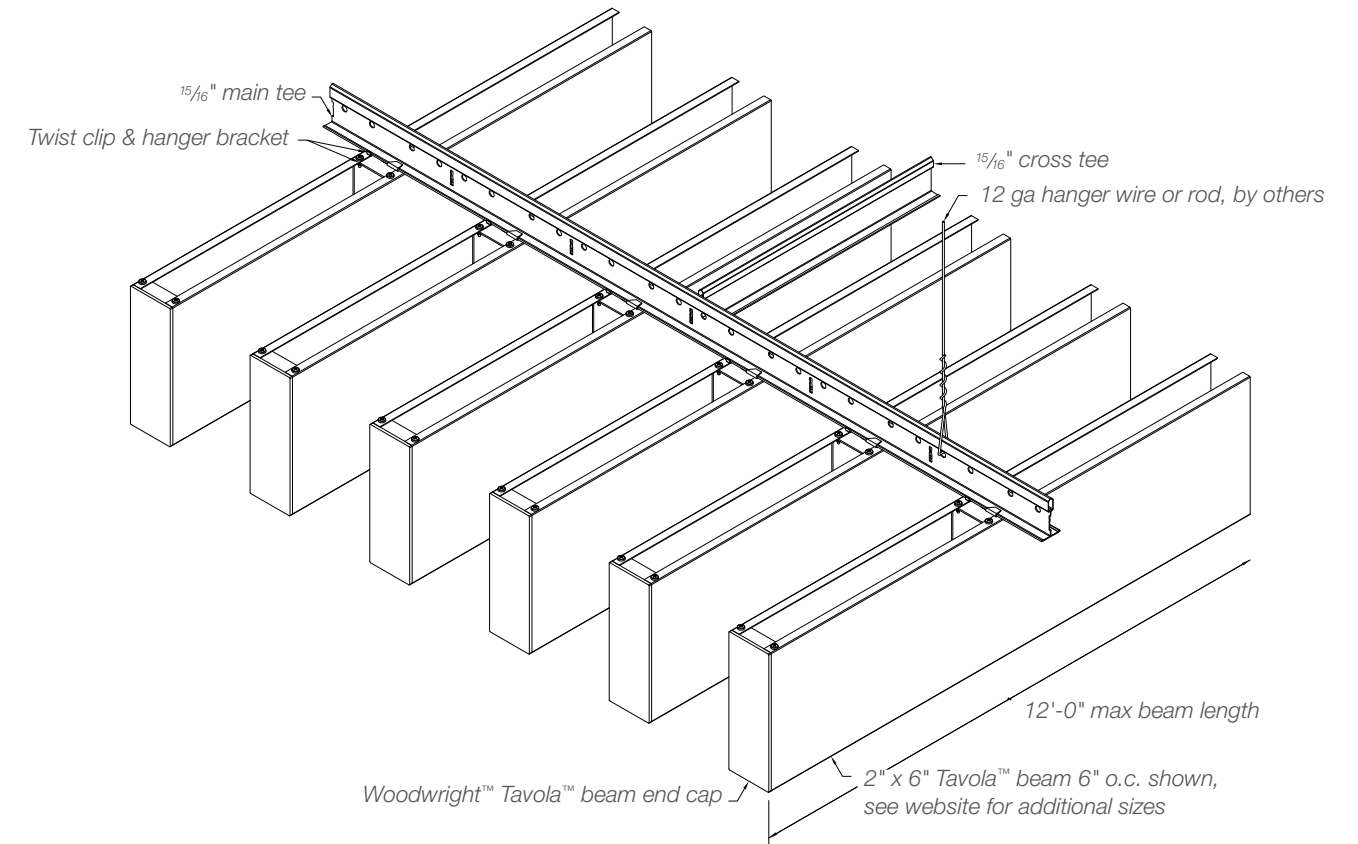


With linear spaced objects in the ceiling, the Woodwright™ Tavola™ Beam and Baffle Series offers a lightweight aluminum beam and baffle solution for interior commercial spaces.

Project: A&P, Park Ridge, NJ; Woodwright™ Tavola™ Beam & Baffle Series

TYPICAL ISOMETRICS



PERFORATION PATTERNS

Please consult Hunter Douglas for perforation options.

PHYSICAL DATA

- Substrate:** Aluminum
- Warranty:** 1 year
- Seismic rating:** Zones A,B,C,D,E,F
- Fire rating:** Class A Fire Rated per ASTM E84
 - Painted or anodized metal: Flame spread: ≤ 25, Smoke ≤ 50
 - Wood veneer on metal: Flame spread: ≤ 25, Smoke ≤ 55
- Weight:** Varies 0.6 – 2.1 lbs./sq.ft.
- Wind load:** N/A
- Recycled content:** Up to 85%
- Light reflectance:** Varies with finish
- Acoustical ratings – NRC:** See page 190

BIM

REVIT files available for BIM contributions, see website for details.

LEED V4 CREDITS

- MR:** Building Product Disclosure
- EQ:** Low-Emitting Materials
- EQ:** Indoor Air Quality Assessment
- EQ:** Acoustic Performance

CERTIFICATIONS

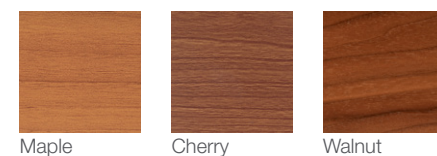
GREENGUARD Gold Certified
FSC chain of custody veneers available
HPDs & EPDs – available upon request

KEY FEATURES

- Multitude of profile dimensions up to 12' long
- Standard heavy-duty 1 5/16" T-grid suspension
- Waste reduction with factory fabricated dimensional material
- Downweight: reduce dead load with lightweight aluminum
- Easy plenum access
- Compatible with industry standard lighting, HVAC, speaker, fire safety, and security services

COLORS & FINISHES

Woodwright™ finishes include our painted wood-look finish and real wood veneers. See page 180 for all finishes.



Standard colors Natural and Cotton White shown. Client-specific colors available. Minimum quantities may apply. Colors are for illustrative purposes. See page 178 for all colors and finishes.

