

WOODWRIGHT™
CEILINGS

BEAMS & BAFFLES
TAVOLA™ DIVERGENT



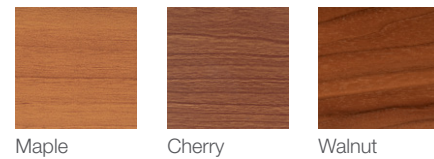
Non-parallel, diverging beams and baffles create organic textures in an unlimited variety of configurations for the interior.

KEY FEATURES

- Use twist clips to create motion
- Multitude of profile dimensions up to 12' long
- Six perforation patterns for elevated acoustics
- Standard heavy-duty 15/16" T-grid suspension
- Waste reduction with factory fabricated dimensional material
- Downweight: reduce dead load with lightweight aluminum
- Compatible with industry standard lighting, HVAC, speaker, fire safety, and security services

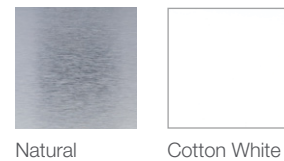
COLORS & FINISHES

Woodwright™ finishes include our painted wood-look finishes and real wood veneers. See page 180 for all finishes.



Standard colors Natural and Cotton White shown. Client-specific colors available. Minimum quantities may apply. Colors are for illustrative purposes.

Standard colors

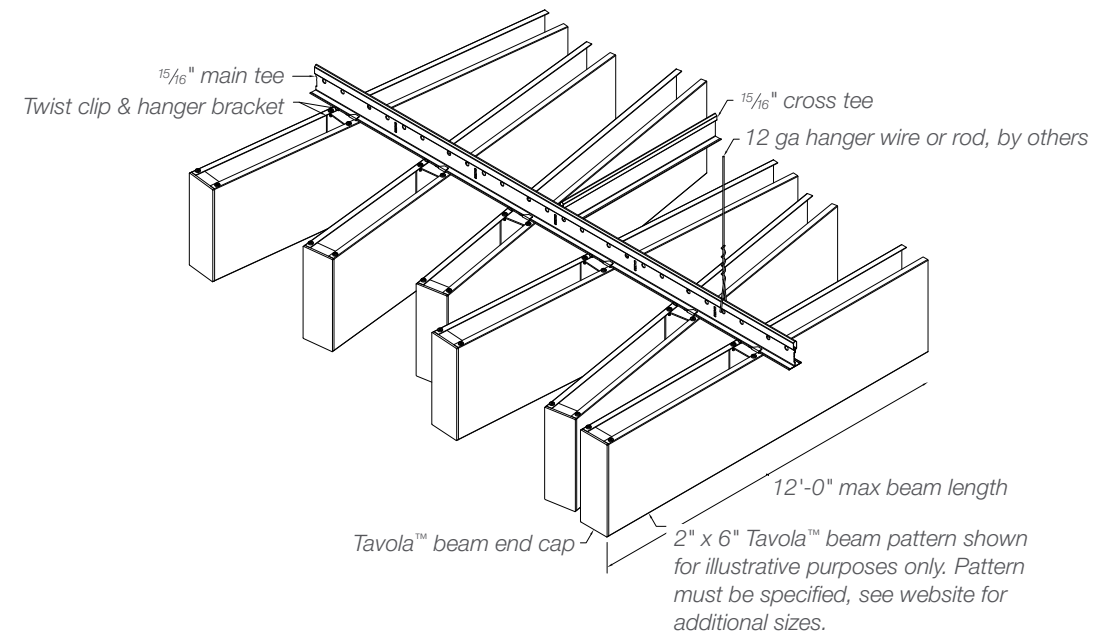


Custom colors

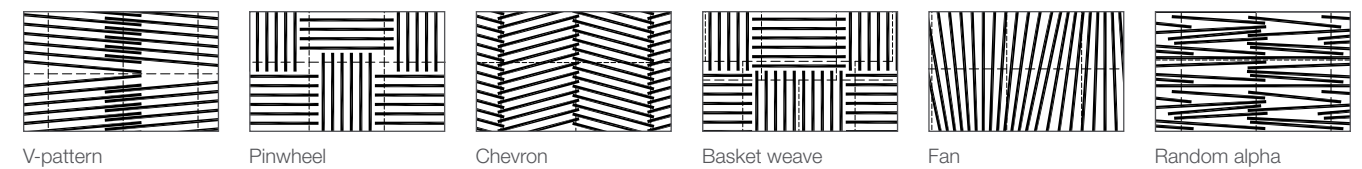


Custom

TYPICAL ISOMETRICS



CONFIGURATIONS



PERFORATION PATTERNS

Please consult Hunter Douglas for perforation options.

PHYSICAL DATA

- Substrate:** Aluminum
- Warranty:** 1 year
- Seismic rating:** Zones A,B,C,D,E,F
- Fire rating:** Class A Fire Rated per ASTM E84
 - Painted or anodized metal: Flame spread: ≤ 25, Smoke ≤ 50
 - Wood veneer on metal: Flame spread: ≤ 25, Smoke ≤ 55
- Weight:** Varies 0.5 – 2.0 lbs./sq.ft.
- Wind load:** N/A
- Recycled content:** Up to 85%
- Light reflectance (LR) Coefficient per ASTM E1264 & ASTM E1477:**
 - Cotton White: LR = 0.81
- Acoustical ratings – NRC:** See page 190

BIM

REVIT files available for BIM contributions, see website for details.

LEED V4 CREDITS

- MR:** Building Product Disclosure
- EQ:** Low-Emitting Materials
- EQ:** Indoor Air Quality Assessment
- EQ:** Acoustic Performance

CERTIFICATIONS

GREENGUARD Gold Certified
HPDs & EPDs – available upon request