

WOODWRIGHT™ CEILINGS

BEAMS & BAFFLES
TAVOLA™ LEVELS



Create topography and rhythm at interior ceiling planes by combining beams and baffles of multiple heights and reveals.

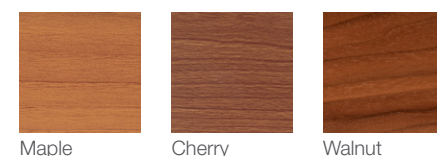
Photo: Tavola™ Levels Concept

KEY FEATURES

- Create topography with multiple beam heights and multiple beam widths
- Multitude of profile dimensions up to 12' long
- Six perforation patterns for elevated acoustics
- Standard heavy-duty 15/16" T-grid suspension
- Waste reduction with factory fabricated dimensional material
- Downweight: reduce dead load with lightweight aluminum
- Compatible with industry standard lighting, HVAC, speaker, fire safety, and security services

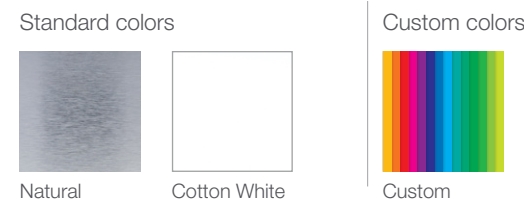
COLORS & FINISHES

Woodwright™ finishes include our painted wood-look finishes and real wood veneers. See page 180 for all finishes.



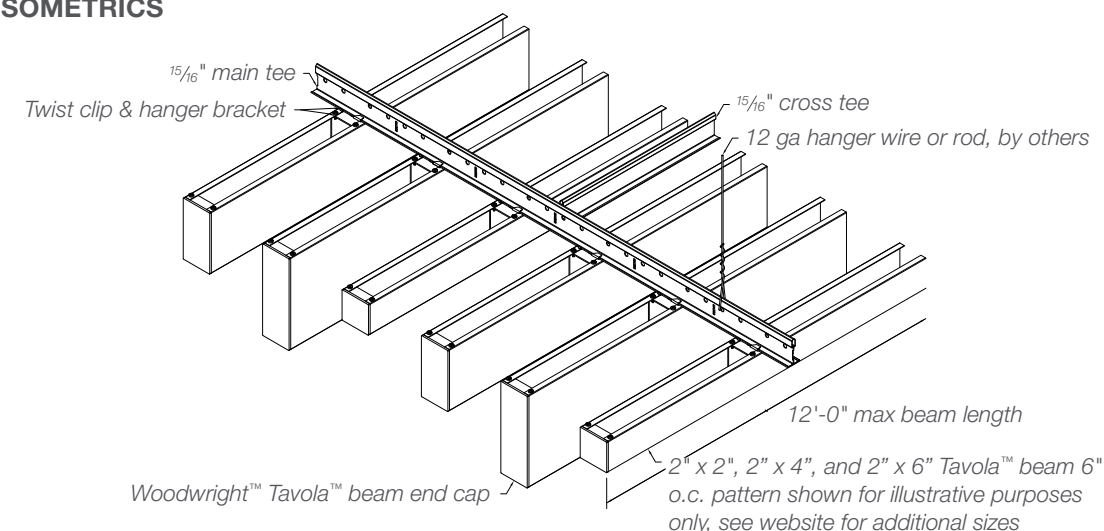
Maple Cherry Walnut

Standard colors Natural and Cotton White shown. Client-specific colors available. Minimum quantities may apply. Colors are for illustrative purposes. See page 178 for all colors and finishes.

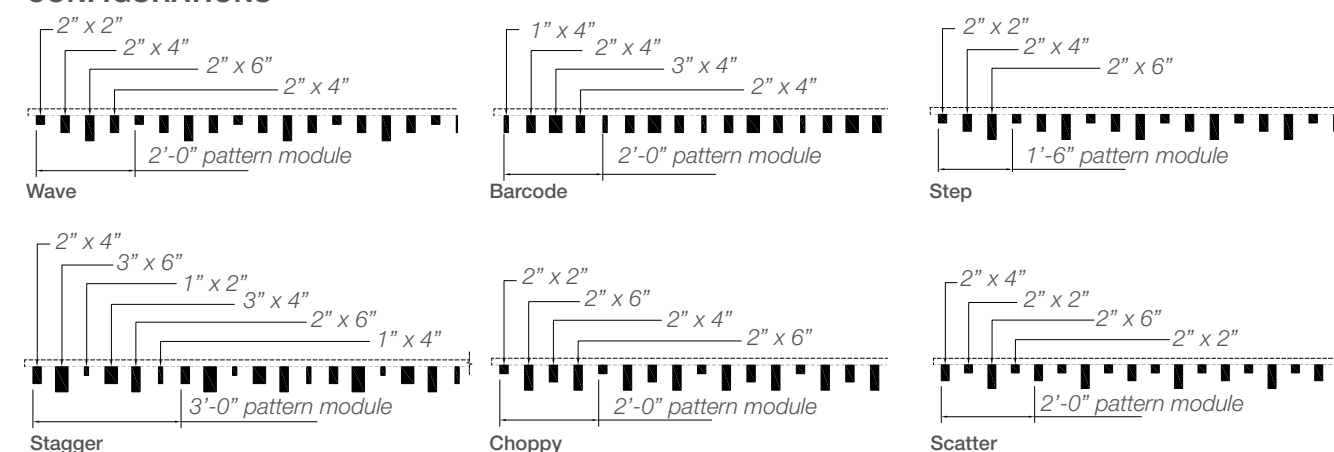


Natural Cotton White Custom

TYPICAL ISOMETRICS



CONFIGURATIONS



PERFORATION PATTERNS

Please consult Hunter Douglas for perforation options.

PHYSICAL DATA

- Substrate:** Aluminum
- Warranty:** 1 year
- Seismic rating:** Zones A,B,C,D,E,F
- Fire rating:** Class A Fire Rated per ASTM E84
 - Painted or anodized metal: Flame spread: ≤ 25, Smoke ≤ 50
 - Wood veneer on metal: Flame spread: ≤ 25, Smoke ≤ 55
- Weight:** Varies 0.5 – 2.0 lbs./sq.ft.
- Wind load:** N/A
- Recycled content:** Up to 85%
- Light reflectance (LR) Coefficient per ASTM E1264 & ASTM E1477:**
 - Cotton White: LR = 0.81
- Acoustical ratings – NRC:** See page 190

BIM

REVIT files available for BIM contributions, see website for details.

LEED V4 CREDITS

- MR:** Building Product Disclosure
- EQ:** Low-Emitting Materials
- EQ:** Indoor Air Quality Assessment
- EQ:** Acoustic Performance

CERTIFICATIONS

- GREENGUARD Gold Certified
- FSC chain of custody veneers available
- HPDs & EPDs – available upon request