

WOODWRIGHT™
CEILINGS

EXTERIOR – LINEAR PLANK
300C



Designed to withstand wind loads, 300C Woodwright™ ceiling panels offer a subtle, long span design for exterior ceilings.

© Bob Peirzel

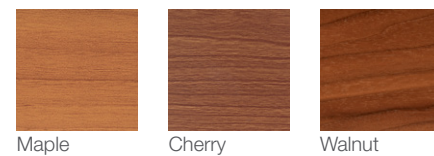
Project: Ocean Medical Center, Brick, NJ; Woodwright™ Exterior 300C

KEY FEATURES

- Panel width: 12" nom. [300 mm]
- Panel lengths: 3' to 19'-8"
- Bevel-edge design
- Waste reduction with factory fabricated dimensional material
- Downweight: reduce dead load with lightweight aluminum
- Interior and exterior applications
- Compatible with industry standard lighting, HVAC, speaker, fire safety, and security services
- Perforated panels available for ventilation
- Factory assembled access doors available

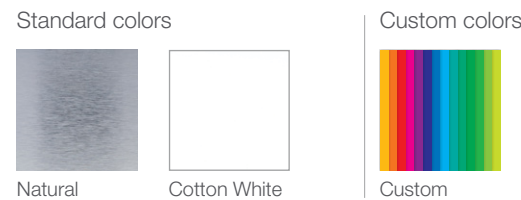
COLORS & FINISHES

Woodwright™ finishes use our painted wood-look finish. See page 180 for all finishes.



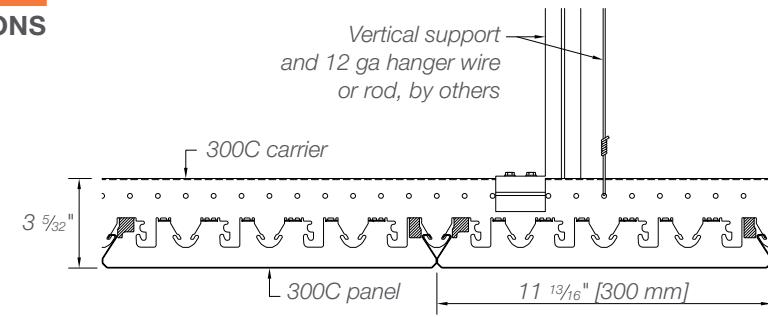
Maple Cherry Walnut

Standard colors Natural and Cotton White shown. Client-specific colors available. Minimum quantities may apply. Colors are for illustrative purposes. See page 178 for all colors and finishes.

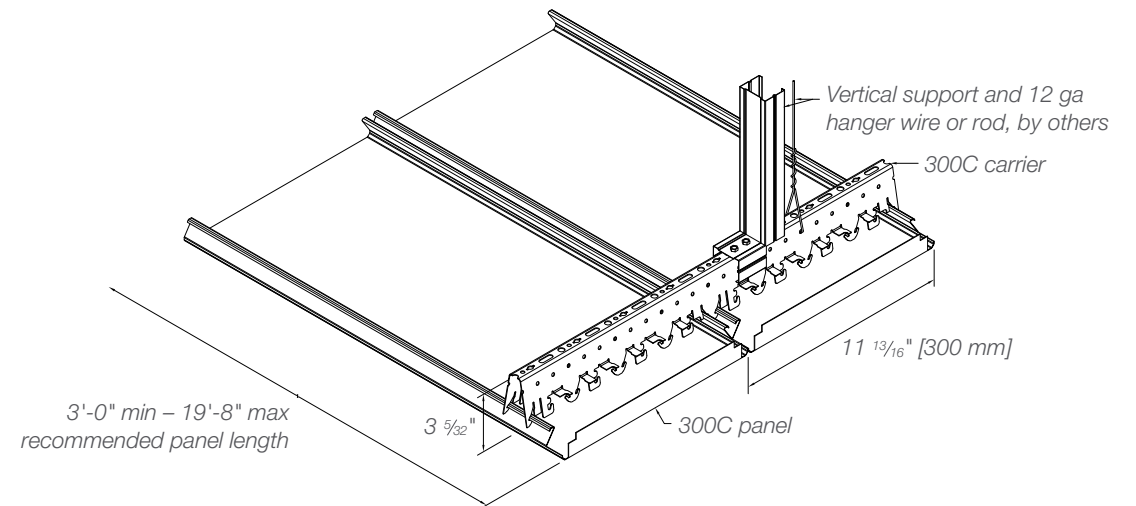


Natural Cotton White Custom

TYPICAL SECTIONS



TYPICAL ISOMETRICS



PERFORATION PATTERNS

Please consult Hunter Douglas for perforation options.

PHYSICAL DATA

- Substrate:** Aluminum
- Warranty:** 1 year
- Seismic rating:** Zones A,B,C,D,E,F
- Fire rating:** Class A Fire Rated per ASTM E84
– Painted or anodized metal: Flame spread: ≤ 25, Smoke ≤ 50
- Weight:** Varies 0.5 – 0.75 lbs./sq.ft.
- Wind load:** Per code
- Recycled content:** Up to 92%
- Light reflectance:** Varies with finish
- Acoustical ratings – NRC:** See page 190

BIM
REVIT files available for BIM contributions, see website for details.

LEED V4 CREDITS

- EA:** Optimize Energy Performance
- MR:** Building Product Disclosure
- EQ:** Low-Emitting Materials
- EQ:** Indoor Air Quality Assessment

CERTIFICATIONS
GREENGUARD Gold Certified
HPDs & EPDs – available upon request