



Designed to withstand wind loads, the Woodwright™ Box and Deep Box Linear ceiling system uses a universal carrier for design and install simplicity.

© Bob Perzel

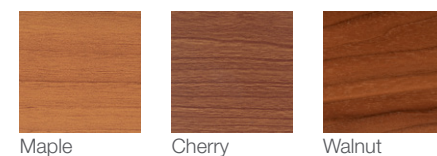
Project: Shake Shack, Las Vegas, NV; Woodwright™ Box 6 - Exterior

KEY FEATURES

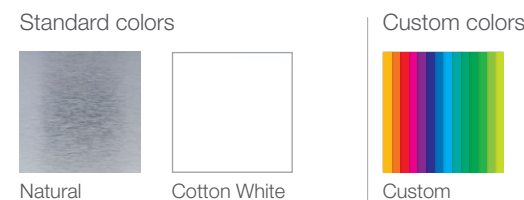
- Panel module widths: 2", 4", 6", 8"
- Panel lengths: 3' to 16'
- Panel depths:
 - 5/8" (Box 2, 4, 6 & 8)
 - 1 1/2" (Deep Box 2)
 - 1" (Deep Box 4, 6 & 8)
- Square-edge design
- Curved carrier application available
- Waste reduction with factory pre-fab and dimensional material
- Downweight: reduce dead load with lightweight aluminum
- Interior and exterior applications
- Compatible with industry standard lighting, HVAC, speaker, fire safety, and security services

COLORS & FINISHES

Woodwright™ finishes use our painted wood-look finish. See page 180 for all finishes.

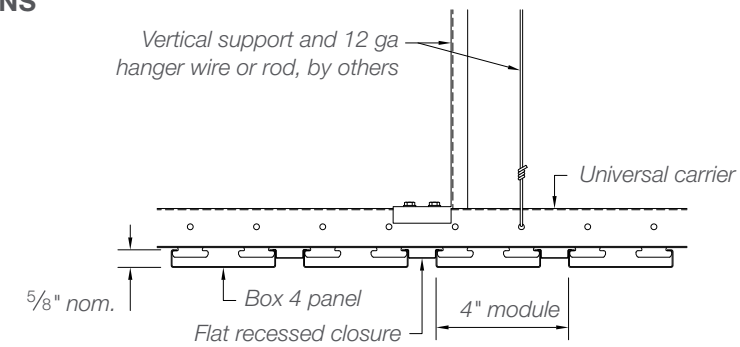


Standard colors Natural and Cotton White shown. Client-specific colors available. Minimum quantities may apply. Colors are for illustrative purposes. See page 178 for all colors and finishes.



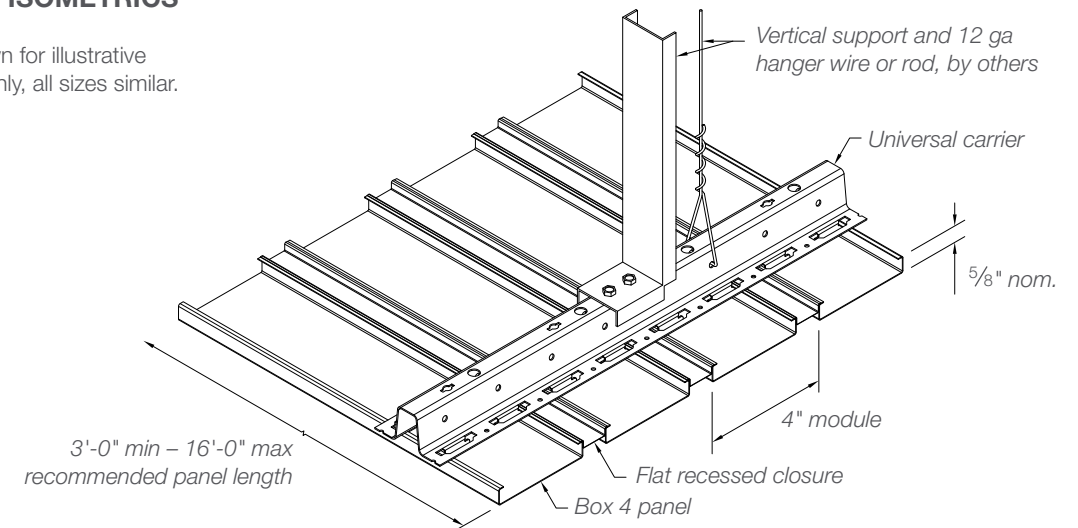
TYPICAL SECTIONS

Box 4 shown for illustrative purposes only, all sizes similar.



TYPICAL ISOMETRICS

Box 4 shown for illustrative purposes only, all sizes similar.



PERFORATION PATTERNS

Please consult Hunter Douglas for perforation options.

PHYSICAL DATA

- Substrate:** Aluminum
- Warranty:** 1 year
- Seismic rating:** Zones A,B,C,D,E,F
- Fire rating:** Class A Fire Rated per ASTM E84
 - Painted or anodized metal: Flame spread: ≤ 25, Smoke ≤ 50
 - Film on metal: Flame spread: ≤ 25, Smoke ≤ 50
- Weight:** Varies 0.6 – 1.0 lbs./sq.ft.
- Wind load:** Per code
- Recycled content:** Up to 92%
- Light reflectance:** Varies with finish

BIM
REVIT files available for BIM contributions, see website for details.

LEED V4 CREDITS

- EA:** Optimize Energy Performance
- MR:** Building Product Disclosure
- EQ:** Low-Emitting Materials
- EQ:** Indoor Air Quality Assessment

CERTIFICATIONS
GREENGUARD Gold Certified
HPDs & EPDs – available upon request