



Torsion Spring – Geometries use geometrical panel shapes to create drama in the ceiling plane with a system that allows panels to swing down for plenum access.

© Bob Perzel

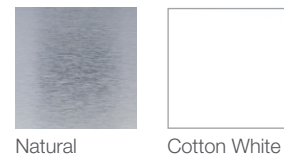
**KEY FEATURES**

- Geometrically shaped panels
- Two panel size sets:
  - 6" to 36" width up to 120" long
  - 48" width up to 48" long
- Swing-down feature allows point-access and 100% access to plenum
- Square-edge design
- Waste reduction with factory fabricated dimensional material
- Downweight: reduce dead load with lightweight aluminum
- Interior and exterior applications
- Compatible with industry standard lighting, HVAC, speaker, fire safety, and security services

**COLORS & FINISHES**

Standard colors Natural and Cotton White shown. Client-specific colors available. Minimum quantities may apply. Colors are for illustrative purposes. See page 178 for all colors and finishes.

Standard colors

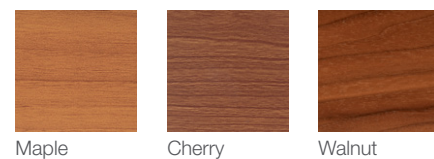


Custom colors



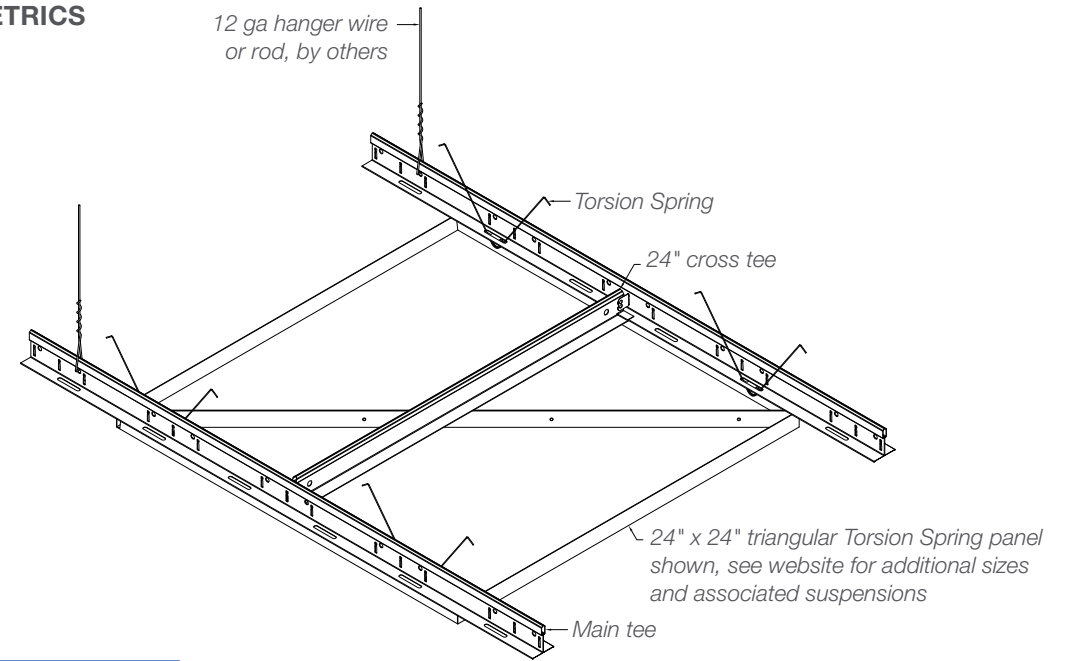
Custom

Woodwright™ finishes include our painted wood-look finish, real wood veneers and laminated wood-look films. See page 180 for all finishes.



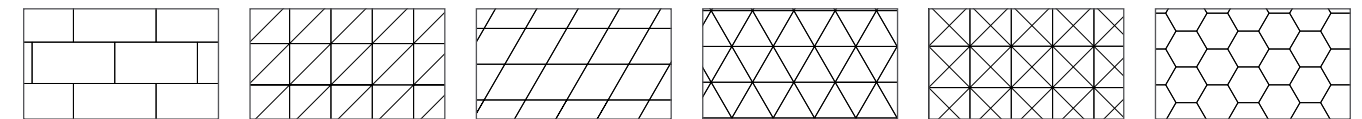
Maple Cherry Walnut

**TYPICAL ISOMETRICS**



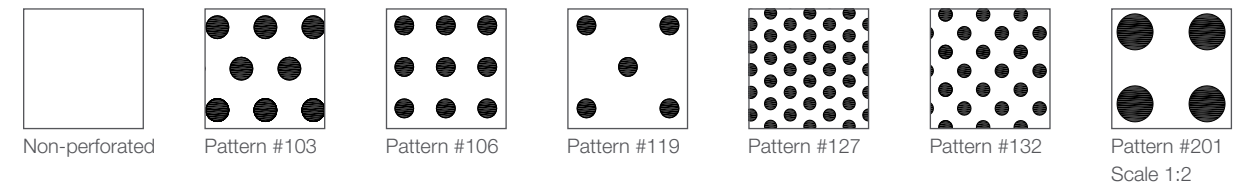
**SHAPES & CONFIGURATIONS**

Inspirational examples shown, custom shapes/configurations available.



**PERFORATION PATTERNS**

Standard patterns shown. See page 186 to see all perforation patterns. Scale shown: 1:1, unless otherwise noted.



**PHYSICAL DATA**

- Substrate:** Aluminum
- Warranty:** 1 year
- Seismic rating:** Zones A,B,C,D,E,F
- Fire rating:** Class A Fire Rated per ASTM E84
  - Painted or anodized metal: Flame spread: ≤ 25, Smoke ≤ 50
  - Film on metal: Flame spread: ≤ 25, Smoke ≤ 50
- Weight:** Varies 1.0 – 1.5 lbs./sq.ft.
- Wind load:** N/A
- Recycled content:** Up to 85%
- Light reflectance (LR) Coefficient per ASTM E1264 & ASTM E1477:**
  - Cotton White: LR = 0.81
- Acoustical ratings – NRC:** See page 190

**BIM**

REVIT files available for BIM contributions, see website for details.

**LEED V4 CREDITS**

- EA:** Optimize Energy Performance
- MR:** Building Product Disclosure
- EQ:** Low-Emitting Materials
- EQ:** Indoor Air Quality Assessment
- EQ:** Daylight
- EQ:** Acoustic Performance

**CERTIFICATIONS**

GREENGUARD Gold Certified  
HPDs & EPDs – available upon request