

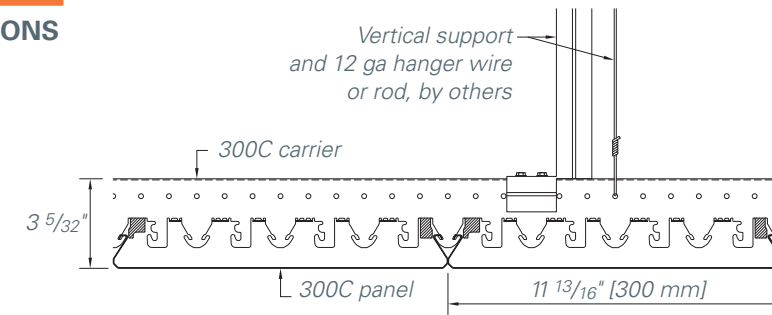
Designed to withstand wind loads, 300C metal ceiling panels offer a subtle, long span design for exterior ceilings.

Project: Sports Stadium, Sant Clara, CA; 300C Linear Plank – Exterior Photo credit: Bob Perzel

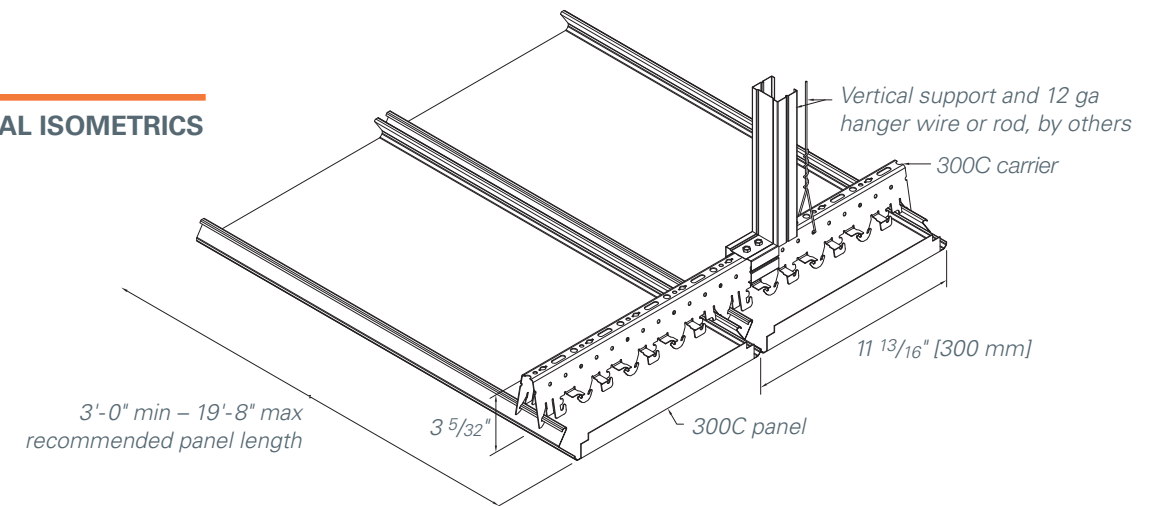
KEY FEATURES

- Panel width: 12" nom. [300 mm]
- Panel lengths: 3' to 19'-8"
- Bevel-edge design
- Waste reduction with factory fabricated dimensional material
- Downweight: reduce dead load with lightweight aluminum
- Interior and exterior applications
- Compatible with industry standard lighting, HVAC, speaker, fire safety, and security services
- Perforated panels available for ventilation
- Factory assembled access doors available
- Miami-Dade County, FL NOA No. 16-0125.06 (expires May 5, 2021)

TYPICAL SECTIONS



TYPICAL ISOMETRICS

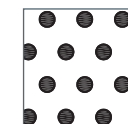


PERFORATION PATTERNS

Standard patterns shown. See page 239 to see all perforation patterns. Scale shown: 1:1, unless otherwise noted.



Non-perforated



Pattern #124
(Ventilation Panels)

PHYSICAL DATA

Substrate: Aluminum
Warranty: 1 year
Seismic rating: Zones A,B,C,D,E,F
Fire rating: Class A Fire Rated per ASTM E84
 – Painted or anodized metal: Flame spread: ≤ 25, Smoke ≤ 50
Weight: Varies 0.5 – 0.75 lbs./sq.ft.
Wind load: Per code. Designed and tested in accordance with the requirements of the Florida Building Code 5th edition (2014), including the High Velocity Hurricane Zone (HVHZ) provisions and Miami-Dade requirements.
Miami-Dade County, Florida NOA No. 16-0125.06 (expires May 5, 2021)
Recycled content: Up to 92%

BIM

REVIT files available for BIM contributions, see website for details.

LEED V4 CREDITS

EA: Optimize Energy Performance
 MR: Building Product Disclosure
 EQ: Low-Emitting Materials
 EQ: Indoor Air Quality Assessment
 EQ: Daylight

CERTIFICATIONS

GREENGUARD Gold Certified
 HPDs & EPDs – available upon request

EXTERIOR SOFFITS

EXTERIOR – LINEAR PLANK
300C – LINEAR PLANK

COLORS & FINISHES

Hunter Douglas offers a wide choice of colors and finishes. Some colors and finishes carry a premium price over manufacturer’s standard colors. Custom color matching is available upon request. Please contact Hunter Douglas at 800-366-4327 for minimum quantities and lead times. To request samples, contact us at ceiling.samples@hunterdouglas.com. See website for the most up to date information. Colors are for illustration purposes only.

STANDARD PAINT COLORS



Natural
7163



Cotton White
0280

CUSTOM COLORS

Premium custom colors.



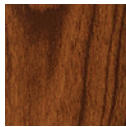
Custom

DECORATED WOOD-LOOK OPTIONS

Powder-coat paint finish (interior and exterior). Formaldehyde-free, Class A composite panel. This finish is recommended for exterior conditions.



Fonthill Cherry
8422



Walnut
8424



Amber Bamboo
8432



Fine Wenge
8433



Grey Barnwood
Cedar 8434



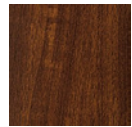
Golden Douglas
Fir 8436



American Oak
8439



Cajun Cypress
8442



Swamp
Cypress 8444



Clipper Teak
8446



Windjammer
Teak 8449



Douglas Fir
8452



Anigre
8453



Farm Maple
8458



Caravel Teak
8460



Regatta Teak
8461



Summer
Maple 8465



Terrace Maple
8466



Red River
Pecan 8467



Bayou Pecan
8468



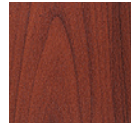
Northwest
Mountain
Hemlock 8486



Whitewash
8487



Rustic Cherry
8739



Cherry
8742



Project: Luxury Auto Mall, Tucson, AZ; 300C Linear Plank – Exterior Photo credit: Bob Perzel