

The Box and Deep Box Linear metal ceiling systems use a universal carrier for simple design and installation.

Project: James E. Rogers, College of Law, Univ. of AZ, Tucson, AZ; Box 4

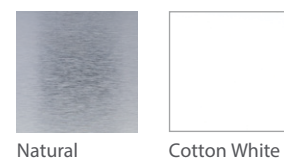
KEY FEATURES

- Panel module width: 4"
- Panel lengths: 3' to 16'
- Panel depths:
  - 5/8" (Box 4)
  - 1" (Deep Box 4)
- Square-edge design
- Curved carrier application available
- Waste reduction with factory fabricated dimensional material
- Downweight: reduce dead load with lightweight aluminum
- Easy plenum access
- Interior and exterior applications
- Compatible with industry standard lighting, HVAC, speaker, fire safety, and security services

COLORS & FINISHES

Standard colors Natural and Cotton White shown. Client-specific colors available. Minimum quantities may apply. Colors are for illustrative purposes. See page 178 for all colors and finishes.

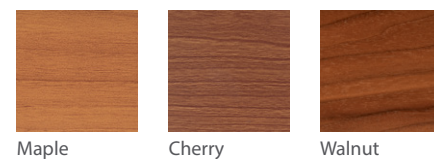
Standard colors



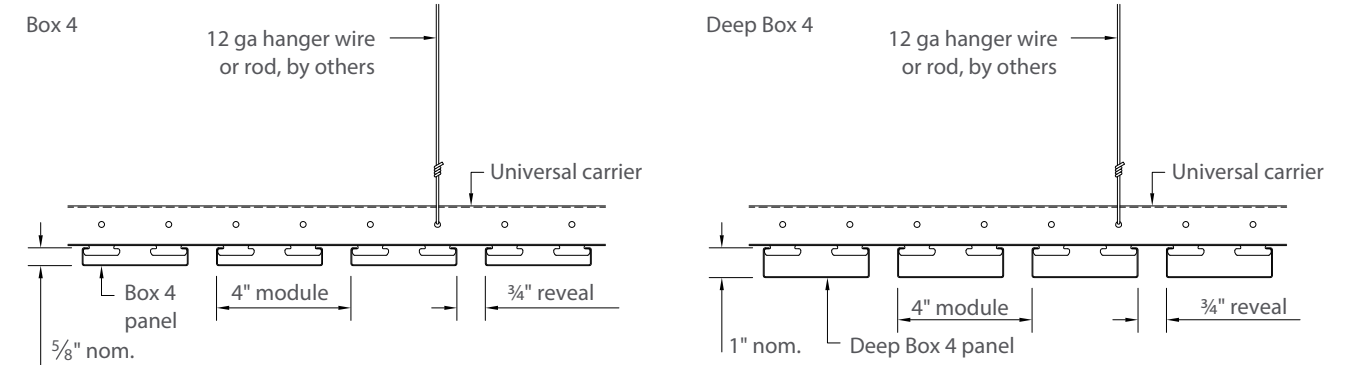
Custom colors



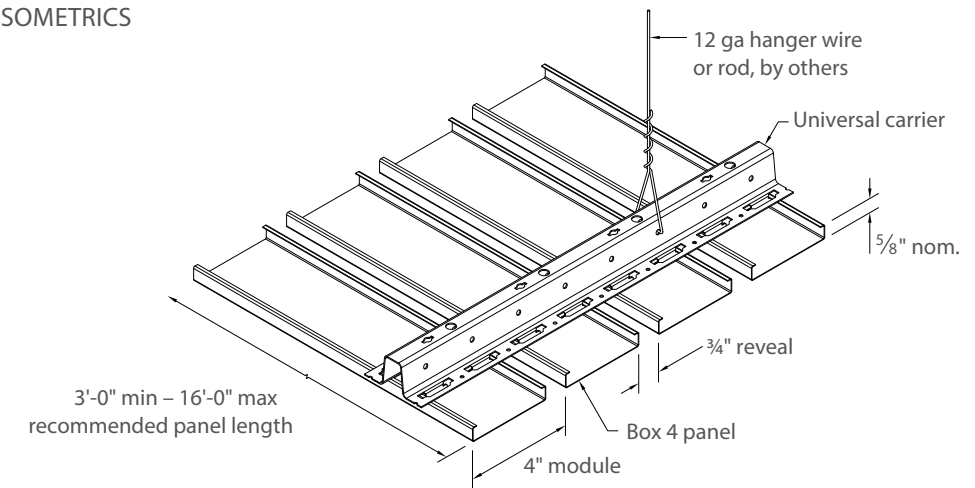
Woodwright™ finishes include our painted wood-look finish, real wood veneers and laminated wood-look films. See page 180 for all finishes.



TYPICAL SECTIONS

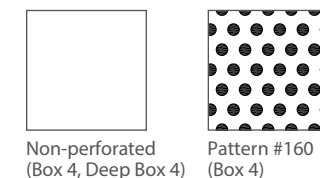


TYPICAL ISOMETRICS



PERFORATION PATTERNS

Standard patterns shown. Scale shown: 1:1, unless otherwise noted.



PHYSICAL DATA

- Substrate: Aluminum
- Warranty: 1 year
- Seismic rating: Zones A,B,C,D,E,F
- Fire rating: Class A Fire Rated per ASTM E84
  - Painted or anodized metal: Flame spread: ≤ 25, Smoke ≤ 50
  - Film on metal: Flame spread: ≤ 25, Smoke ≤ 50
  - Wood veneer on metal: Flame spread: ≤ 25, Smoke ≤ 55 (for interior applications)
- Weight: Varies 0.5 – 1.0 lbs./sq.ft.
- Wind load: Per code (for exterior applications)
- Recycled content: Up to 92%
- Light reflectance (LR) Coefficient per ASTM E1264 & ASTM E1477:
  - Cotton White: LR = 0.81
- Acoustical ratings – NRC: See page 190

BIM  
REVIT files available for BIM contributions, see website for details.

LEED V4 CREDITS

- EA: Optimize Energy Performance
- MR: Building Product Disclosure
- EQ: Low-Emitting Materials
- EQ: Indoor Air Quality Assessment
- EQ: Daylight
- EQ: Acoustic Performance

CERTIFICATIONS  
GREENGUARD Gold Certified  
HPDs & EPDs – available upon request