



The Box and Deep Box Linear metal ceiling systems use a universal carrier for simple design and installation.

Project: Hangzhou Xiaoshan Airport, Hangzhou, Zhejiang, China; Box 8

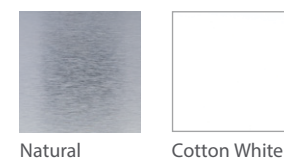
KEY FEATURES

- Panel module width: 8"
- Panel lengths: 3' to 16'
- Panel depths:
  - 5/8" (Box 8)
  - 1" (Deep Box 8)
- Square-edge design
- Curved carrier application available
- Waste reduction with factory fabricated dimensional material
- Downweight: reduce dead load with lightweight aluminum
- Easy plenum access
- Interior and exterior applications
- Compatible with industry standard lighting, HVAC, speaker, fire safety, and security services

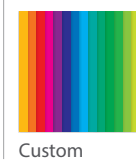
COLORS & FINISHES

Standard colors Natural and Cotton White shown. Client-specific colors available. Minimum quantities may apply. Colors are for illustrative purposes. See page 178 for all colors and finishes.

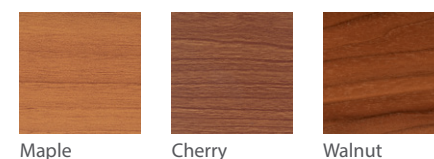
Standard colors



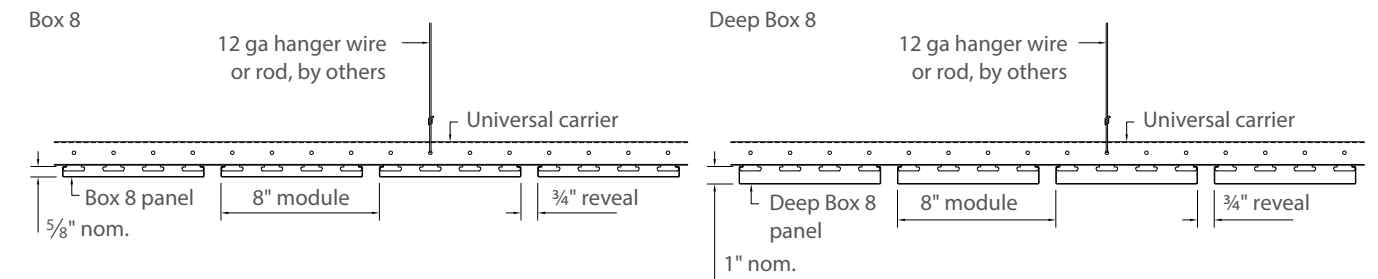
Custom colors



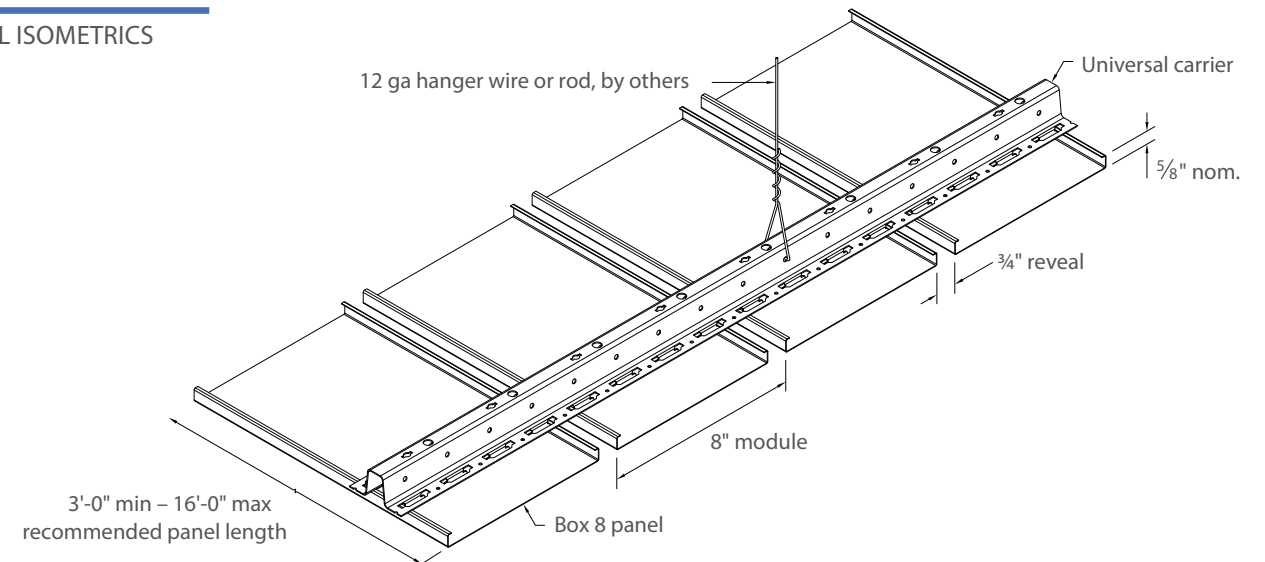
Woodwright™ finishes include our painted wood-look finish, real wood veneers and laminated wood-look films. See page 180 for all finishes.



TYPICAL SECTIONS

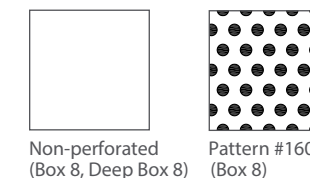


TYPICAL ISOMETRICS



PERFORATION PATTERNS

Standard patterns shown. Scale shown: 1:1, unless otherwise noted.



PHYSICAL DATA

Substrate: Aluminum  
 Warranty: 1 year  
 Seismic rating: Zones A,B,C,D,E,F  
 Fire rating: Class A Fire Rated per ASTM E84
 

- Painted or anodized metal: Flame spread: ≤ 25, Smoke ≤ 50
- Film on metal: Flame spread: ≤ 25, Smoke ≤ 50
- Wood veneer on metal: Flame spread: ≤ 25, Smoke ≤ 55 (for interior applications)

 Weight: Varies 0.5 – 1.0 lbs./sq.ft.  
 Wind load: Per code (for exterior applications)  
 Recycled content: Up to 92%  
 Light reflectance (LR) Coefficient per ASTM E1264 & ASTM E1477:
 

- Cotton White: LR = 0.81

 Acoustical ratings – NRC: See page 190

BIM  
 REVIT files available for BIM contributions, see website for details.

LEED V4 CREDITS

- EA: Optimize Energy Performance
- MR: Building Product Disclosure
- EQ: Low-Emitting Materials
- EQ: Indoor Air Quality Assessment
- EQ: Daylight
- EQ: Acoustic Performance

CERTIFICATIONS  
 GREENGUARD Gold Certified  
 HPDs & EPDs – available upon request