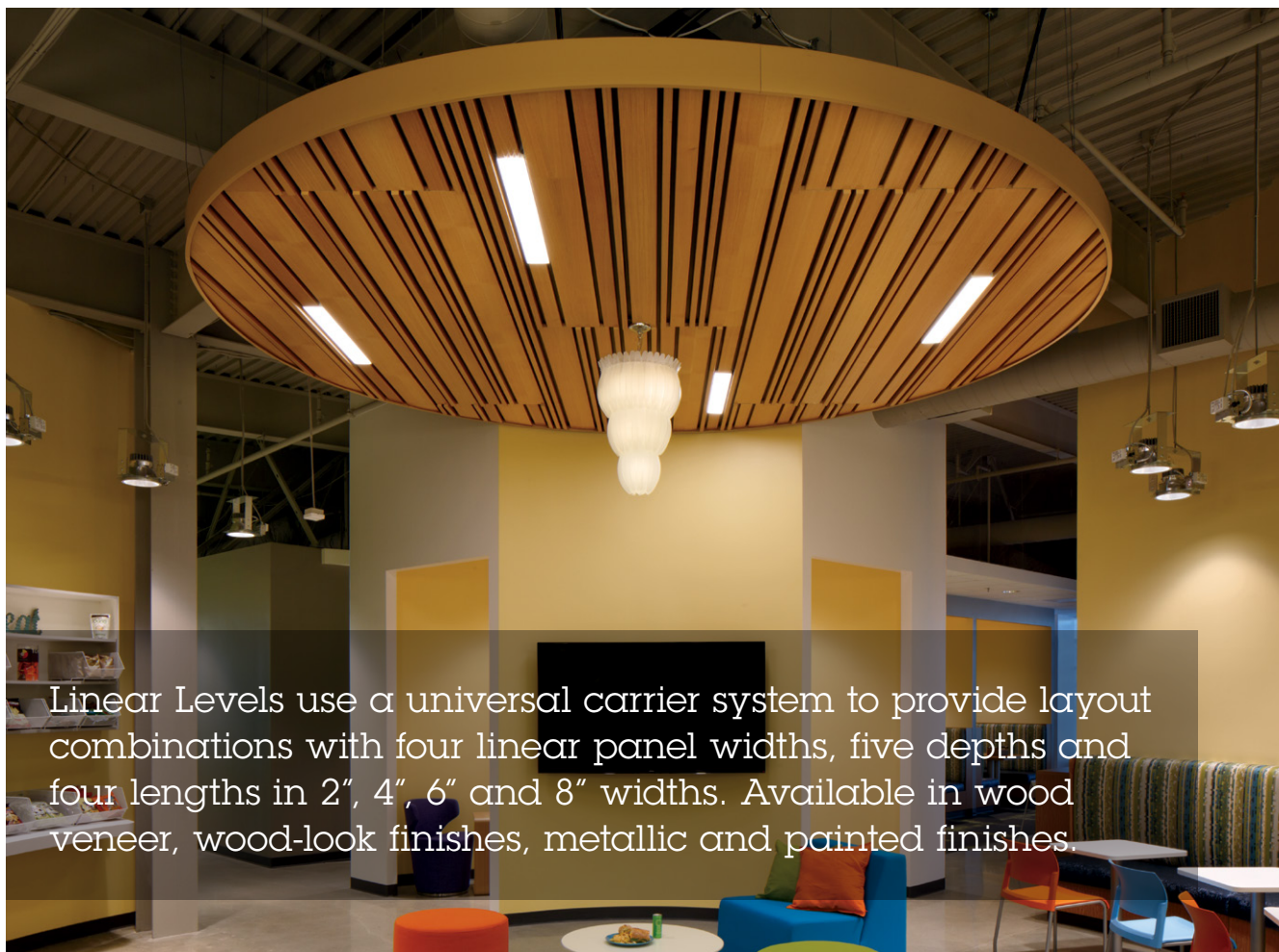


METAL CEILINGS

LINEAR LEVELS



Linear Levels use a universal carrier system to provide layout combinations with four linear panel widths, five depths and four lengths in 2", 4", 6" and 8" widths. Available in wood veneer, wood-look finishes, metallic and painted finishes.

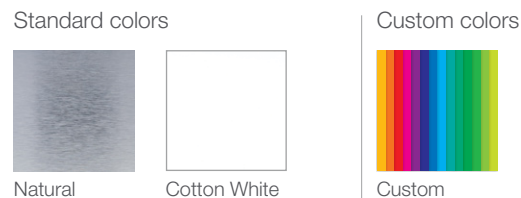
Project: Talend, Redwood City, CA; Linear Levels

KEY FEATURES

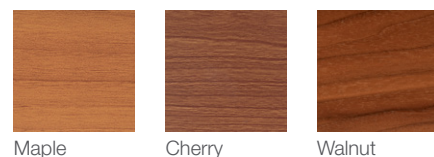
- Panel module widths: 2", 4", 6" and 8"
- Panel lengths: 4', 6', 8' and 10'
- Panel depths:
 - 5/8"
 - 1"
 - 1 1/2"
 - 2"
 - 2 1/2"
- Square-edge design
- Downweight: reduce dead load with lightweight aluminum
- Easy plenum access
- Compatible with industry standard lighting, HVAC, speaker, fire safety, and security services
- LED light fixtures fitted for panels reveals.

COLORS & FINISHES

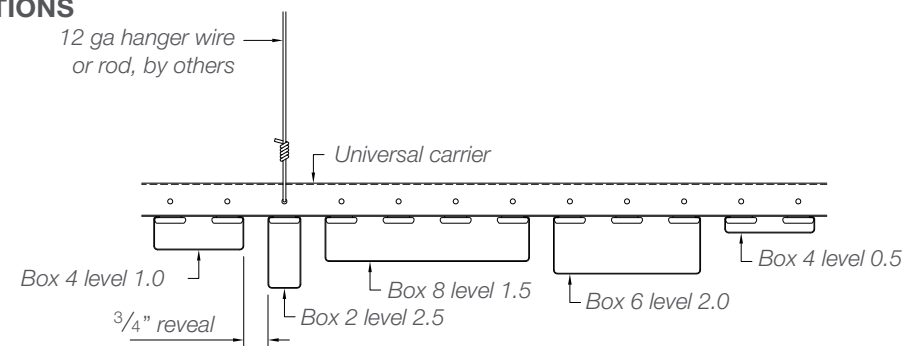
Standard colors Natural and Cotton White shown. Client-specific colors available. Minimum quantities may apply. Colors are for illustrative purposes. See page 178 for all colors and finishes.



Woodwright™ finishes include our painted wood-look finish and real wood veneers. See page 180 for all finishes.

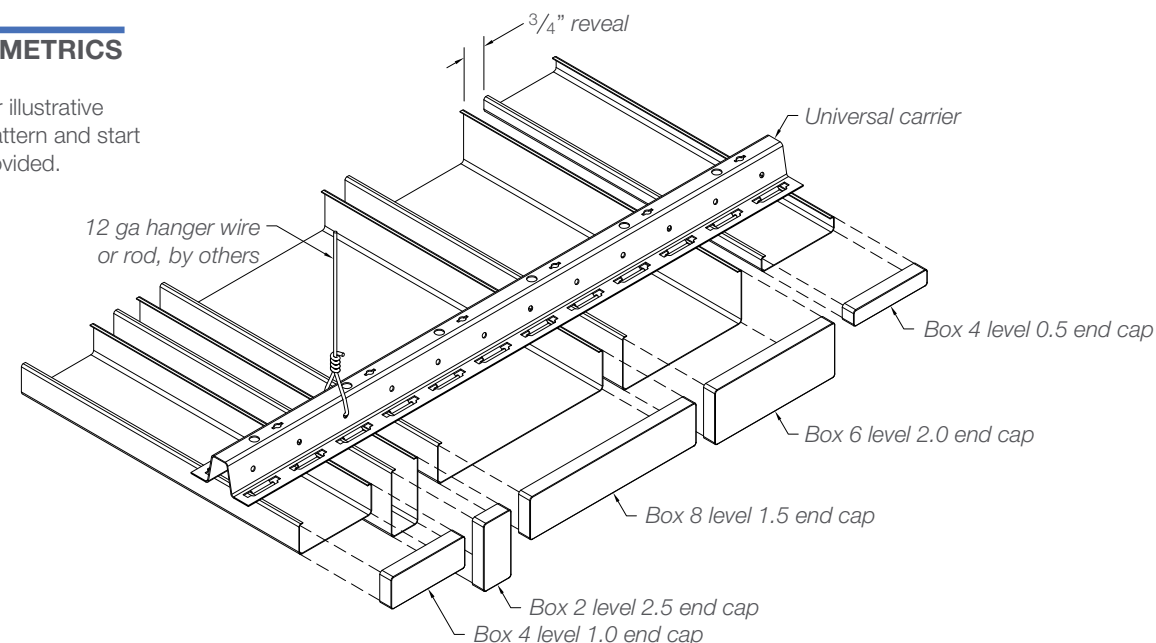


TYPICAL SECTIONS



TYPICAL ISOMETRICS

Pattern shown for illustrative purposes only. Pattern and start point must be provided.



PERFORATION PATTERNS

Linear Levels are available in a non-perforated configuration. NRC acoustics achieved through open reveals.

PHYSICAL DATA

- Substrate:** Aluminum
- Warranty:** 1 year
- Seismic rating:** Zones A,B,C,D,E,F
- Fire rating:** Class A Fire Rated per ASTM E84
 - Painted or anodized metal: Flame spread: ≤ 25, Smoke ≤ 50
 - Film on metal: Flame spread: ≤ 25, Smoke ≤ 50
 - Wood veneer on metal: Flame spread: ≤ 25, Smoke ≤ 55 (for interior applications)
- Weight:** Varies 0.5 – 1.5 lbs./sq.ft.
- Wind load:** Per code (for exterior applications)
- Recycled content:** Up to 92%
- Light reflectance (LR) Coefficient per ASTM E1264 & ASTM E1477:**
 - Cotton White: LR = 0.81

BIM

REVIT files available for BIM contributions, see website for details.

LEED V4 CREDITS

- EA:** Optimize Energy Performance
- MR:** Building Product Disclosure
- EQ:** Low-Emitting Materials
- EQ:** Indoor Air Quality Assessment
- EQ:** Daylight
- EQ:** Acoustic Performance

CERTIFICATIONS

GREENGUARD Gold Certified HPDs & EPDs – available upon request