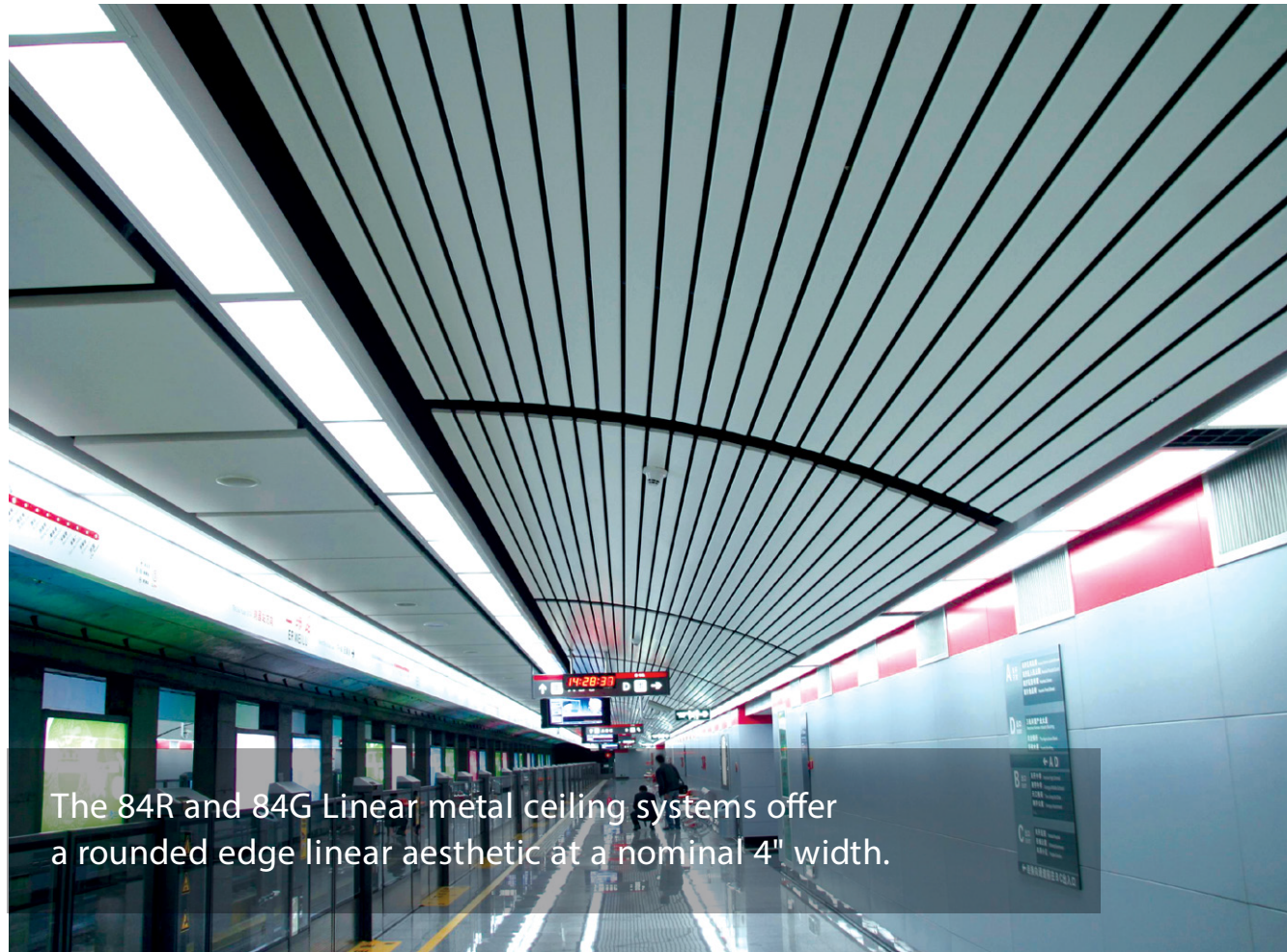


METAL CEILINGS

LINEAR 84R & 84G



The 84R and 84G Linear metal ceiling systems offer a rounded edge linear aesthetic at a nominal 4" width.

Project: Tianjin Metro Line 1, Tianjin, China; 84R

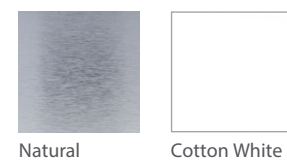
KEY FEATURES

- Panel module width: 4"
- Panel lengths: 3' to 16'
- Panel depth: 5/8"
- Round-edge design
- Curved carrier with straight panel application available
- Waste reduction with factory fabricated dimensional material
- Downweight: reduce dead load with lightweight aluminum
- Easy plenum access
- Interior and exterior applications
- Compatible with industry standard lighting, HVAC, speaker, fire safety, and security services

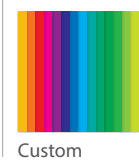
COLORS & FINISHES

Standard colors Natural and Cotton White shown. Client-specific colors available. Minimum quantities may apply. Colors are for illustrative purposes. See page 178 for all colors and finishes.

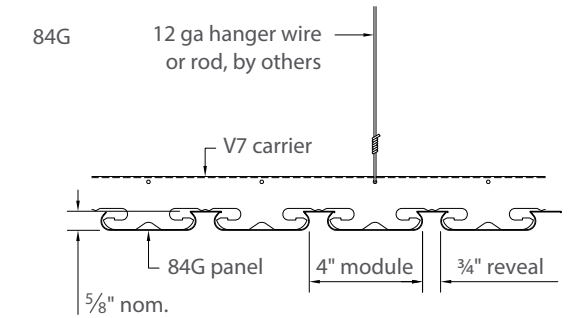
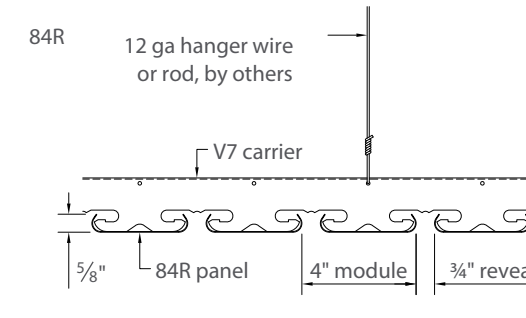
Standard colors



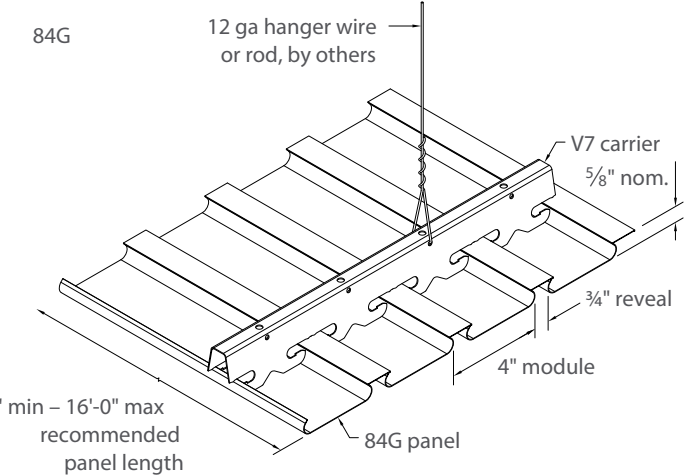
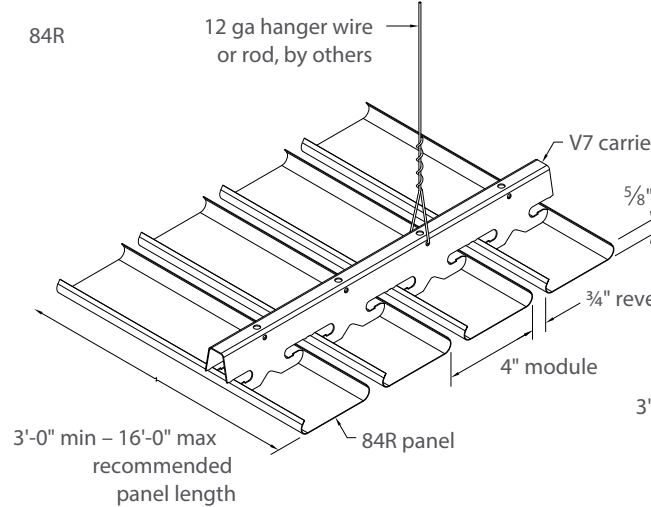
Custom colors



TYPICAL SECTIONS

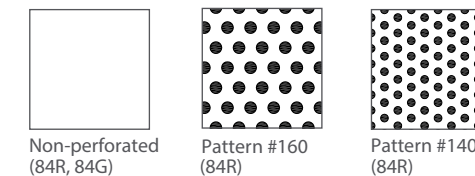


TYPICAL ISOMETRICS



PERFORATION PATTERNS

Standard patterns shown. Scale shown: 1:1, unless otherwise noted.



PHYSICAL DATA

Substrate: Aluminum
 Warranty: 1 year
 Seismic rating: Zones A,B,C,D,E,F
 Fire rating: Class A Fire Rated per ASTM E84
 - Painted or anodized metal: Flame spread: ≤ 25, Smoke ≤ 50
 - Film on metal: Flame spread: ≤ 25, Smoke ≤ 50
 Weight: Varies 0.5 – 0.75 lbs./sq.ft.
 Wind load: Per code (for exterior applications)
 Recycled content: Up to 92%
 Light reflectance (LR) Coefficient per ASTM E1264 & ASTM E1477:
 - Cotton White: LR = 0.81
 Acoustical ratings – NRC: See page 190

BIM
 REVIT files available for BIM contributions, see website for details.

LEED V4 CREDITS

EA: Optimize Energy Performance
 MR: Building Product Disclosure
 EQ: Low-Emitting Materials
 EQ: Indoor Air Quality Assessment
 EQ: Daylight
 EQ: Acoustic Performance

CERTIFICATIONS
 GREENGUARD Gold Certified
 HPDs & EPDs – available upon request