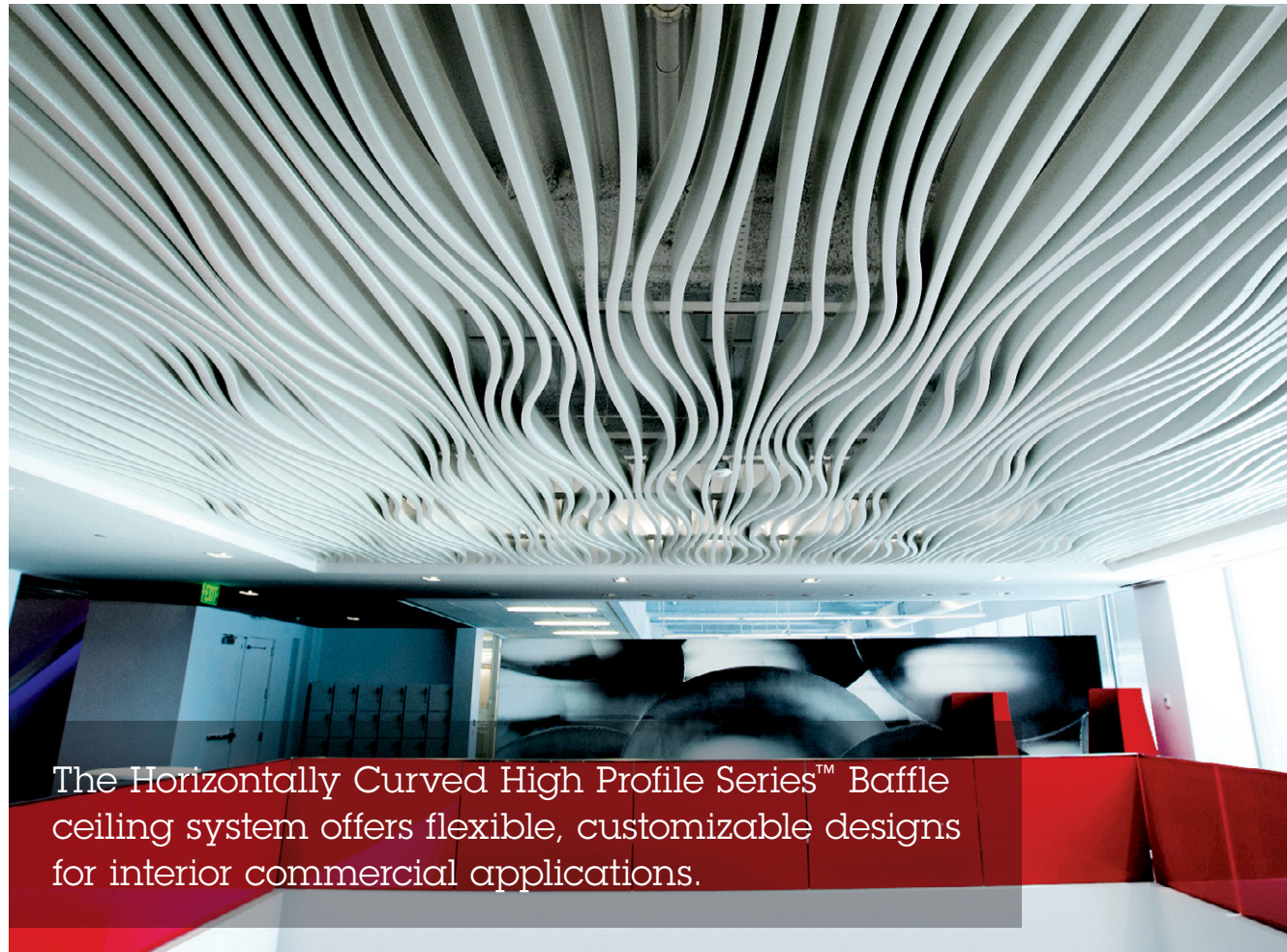


METAL CEILINGS

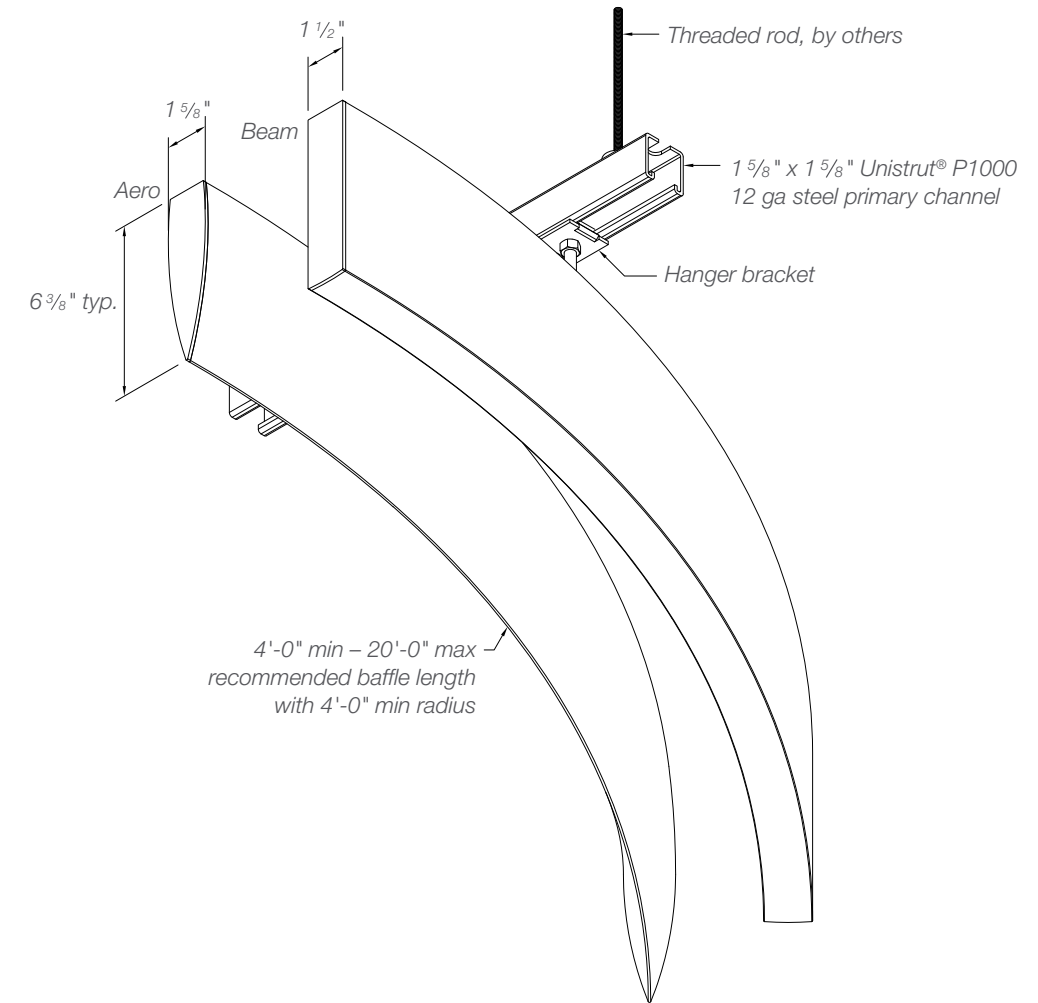
BEAMS & BAFFLES  
HIGH PROFILE SERIES™ – HORIZONTALLY CURVED



The Horizontally Curved High Profile Series™ Baffle ceiling system offers flexible, customizable designs for interior commercial applications.

Project: Avery Dennison, Glendale, CA; High Profile Series™ - Horizontally Curved

TYPICAL ISOMETRICS



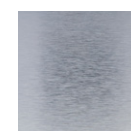
KEY FEATURES

- Client specific shapes and finishes:
  - Beam or Aero profile 1 1/2" - 4" width up to 6" height
- Extruded aluminum profiles with exacting fit and finish
- Seamless baffles up to 20 feet in length
- Minimum radius 48"
- Arc lengths 4 feet to 20 feet
- Unistrut® support system
- Client-specific suspension systems
- Patented locking mechanism

COLORS & FINISHES

Standard colors Natural and Cotton White shown. Client-specific colors available. Minimum quantities may apply. Colors are for illustrative purposes. See page 178 for all colors and finishes.

Standard colors



Natural



Cotton White

Custom colors



Custom

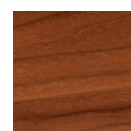
Woodwright™ finishes use our painted wood-look finish. See page 180 for all finishes.



Maple



Cherry



Walnut

PHYSICAL DATA

- Substrate:** Aluminum
- Warranty:** 1 year
- Seismic rating:** Zones A,B,C,D,E,F
- Fire rating:** Class A Fire Rated per ASTM E84
  - Painted or anodized metal: Flame spread: ≤ 25, Smoke ≤ 50
- Weight:** Varies 2.0 – 4.0 lbs./sq.ft.
- Wind load:** N/A
- Recycled content:** Minimum of 50%
- Light reflectance (LR) Coefficient per ASTM E1264 & ASTM E1477:**
  - Cotton White: LR = 0.81

BIM

REVIT files available for BIM contributions, see website for details.

LEED V4 CREDITS

- MR:** Building Product Disclosure
- EQ:** Low-Emitting Materials
- EQ:** Indoor Air Quality Assessment

CERTIFICATIONS

GREENGUARD Gold Certified  
HPDs & EPDs – available upon request