

METAL CEILINGS

BEAMS & BAFFLES  
TAVOLA™ DIVERGENT



Non-parallel, diverging beams and baffles create organic textures in an unlimited variety of configurations for the interior.

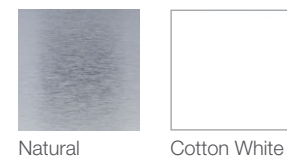
KEY FEATURES

- Use twist clips to create motion
- Multitude of profile dimensions up to 12' long
- Six perforation patterns for elevated acoustics
- Standard heavy-duty 15/16" T-grid suspension
- Waste reduction with factory fabricated dimensional material
- Downweight: reduce dead load with lightweight aluminum
- Compatible with industry standard lighting, HVAC, speaker, fire safety, and security services

COLORS & FINISHES

Standard colors Natural and Cotton White shown. Client-specific colors available. Minimum quantities may apply. Colors are for illustrative purposes. See page 178 for all colors and finishes.

Standard colors

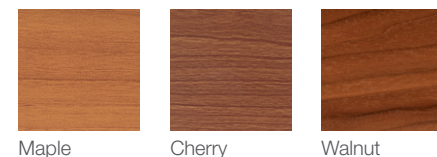


Custom colors

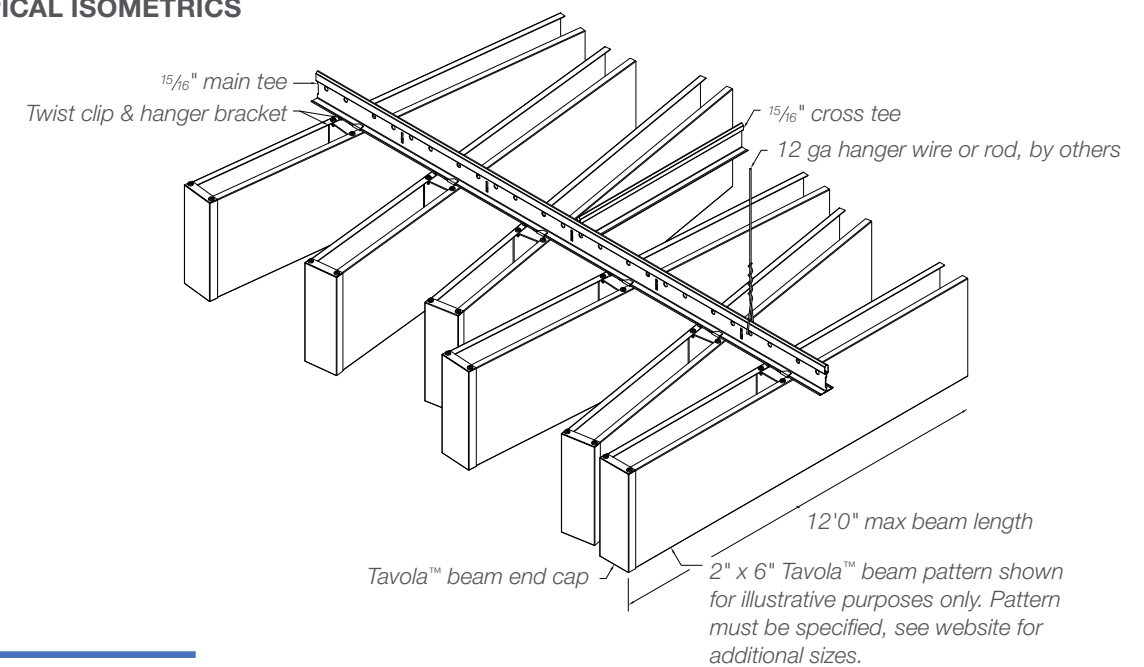


Custom

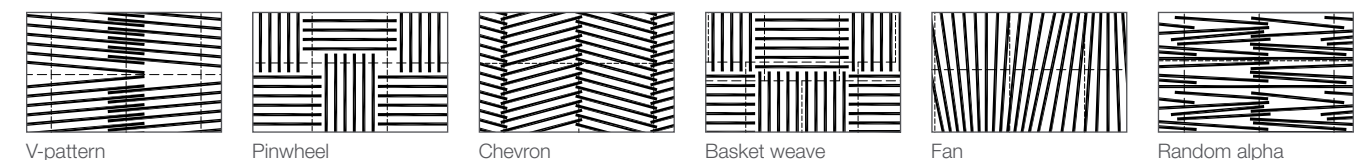
Woodwright™ finishes include our painted wood-look finishes and real wood veneers. See page 180 for all finishes.



TYPICAL ISOMETRICS

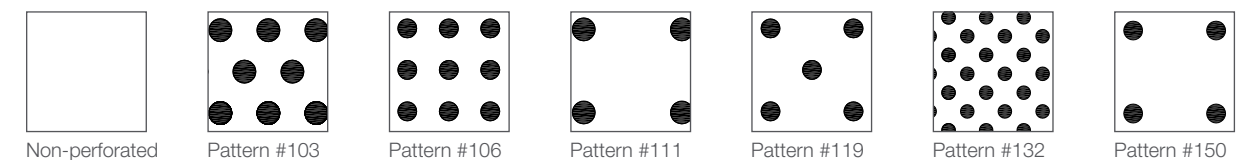


CONFIGURATIONS



PERFORATION PATTERNS

Standard patterns shown. See page 186 to see all perforation patterns. Scale shown: 1:1, unless otherwise noted.



PHYSICAL DATA

- Substrate:** Aluminum
- Warranty:** 1 year
- Seismic rating:** Zones A,B,C,D,E,F
- Fire rating:** Class A Fire Rated per ASTM E84
  - Painted or anodized metal: Flame spread: ≤ 25, Smoke ≤ 50
  - Wood veneer on metal: Flame spread: ≤ 25, Smoke ≤ 55
- Weight:** Varies 0.5 – 2.0 lbs./sq.ft.
- Wind load:** N/A
- Recycled content:** Up to 85%
- Light reflectance (LR) Coefficient per ASTM E1264 & ASTM E1477:**
  - Cotton White: LR = 0.81
- Acoustical ratings – NRC:** See page 190

BIM

REVIT files available for BIM contributions, see website for details.

LEED V4 CREDITS

- MR:** Building Product Disclosure
- EQ:** Low-Emitting Materials
- EQ:** Indoor Air Quality Assessment
- EQ:** Acoustic Performance

CERTIFICATIONS

GREENGUARD Gold Certified  
HPDs & EPDs – available upon request