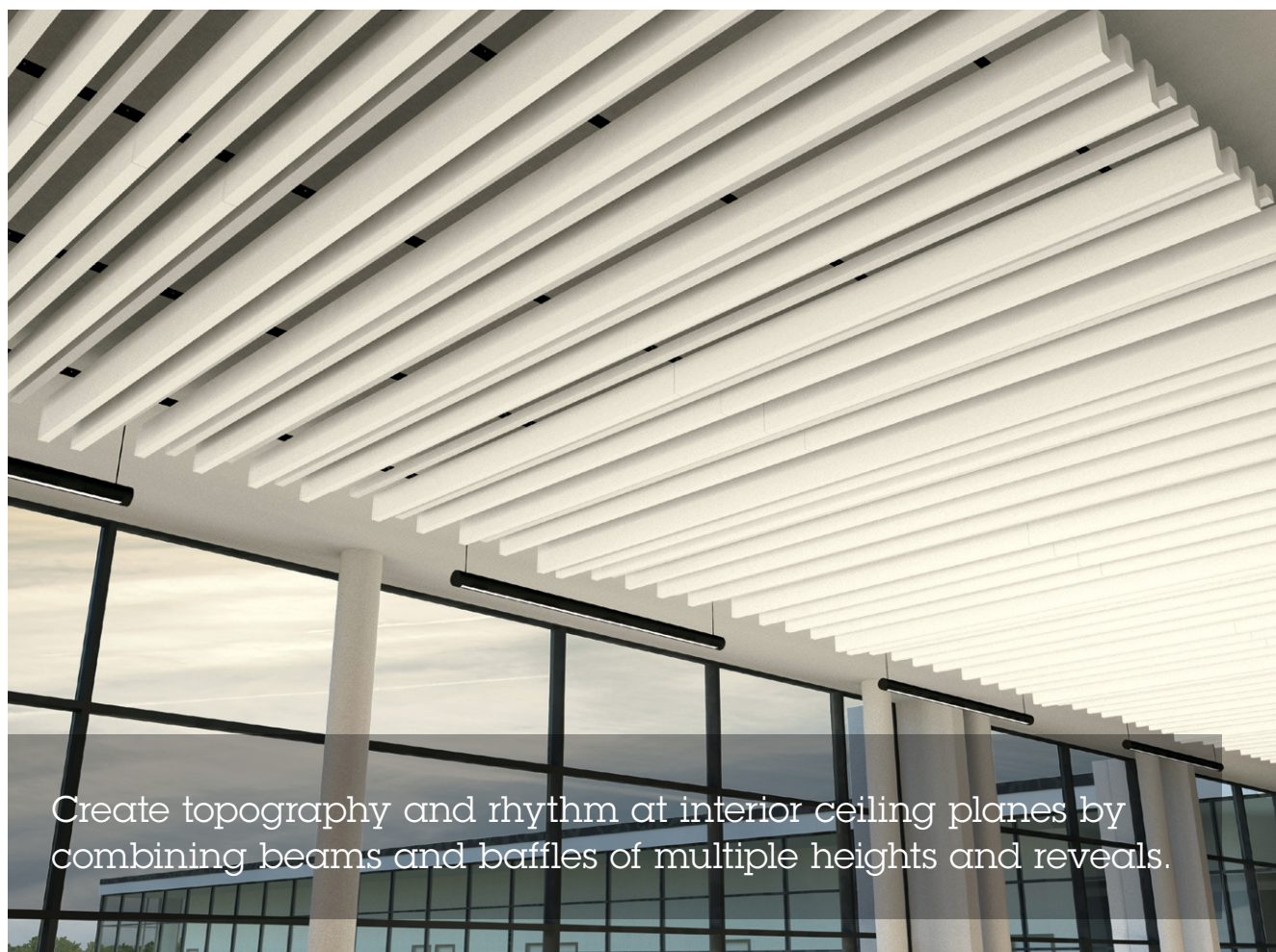


METAL CEILINGS

BEAMS & BAFFLES
TAVOLA™ LEVELS



Create topography and rhythm at interior ceiling planes by combining beams and baffles of multiple heights and reveals.

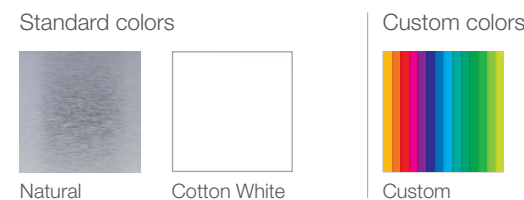
Photo: Tavola™ Levels Concept

KEY FEATURES

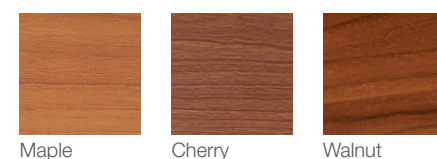
- Create topography with multiple beam heights and multiple beam widths
- Multitude of profile dimensions up to 12' long
- Six perforation patterns for elevated acoustics
- Standard heavy-duty 15/16" T-grid suspension
- Waste reduction with factory fabricated dimensional material
- Downweight: reduce dead load with lightweight aluminum
- Compatible with industry standard lighting, HVAC, speaker, fire safety, and security services

COLORS & FINISHES

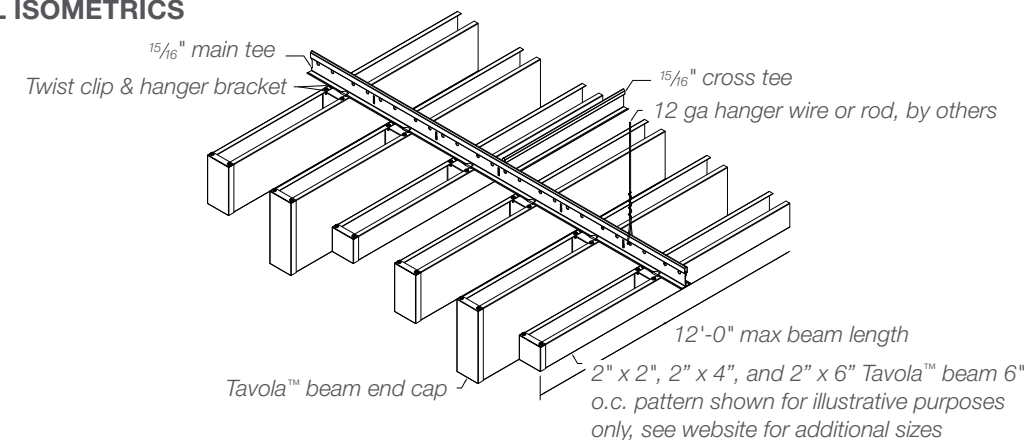
Standard colors Natural and Cotton White shown. Client-specific colors available. Minimum quantities may apply. Colors are for illustrative purposes. See page 178 for all colors and finishes.



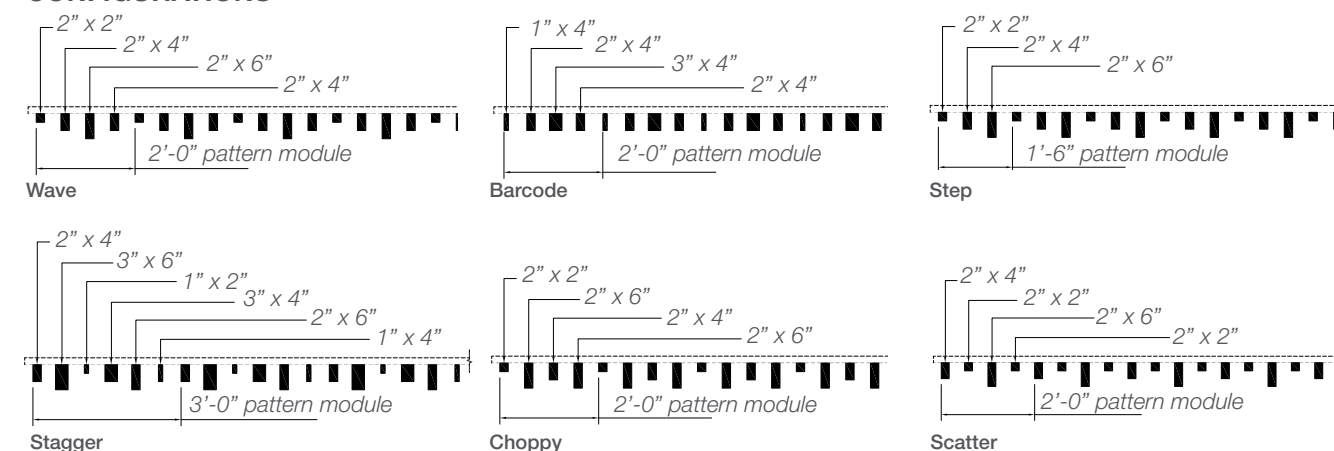
Woodwright™ finishes include our painted wood-look finishes and real wood veneers. See page 180 for all finishes.



TYPICAL ISOMETRICS

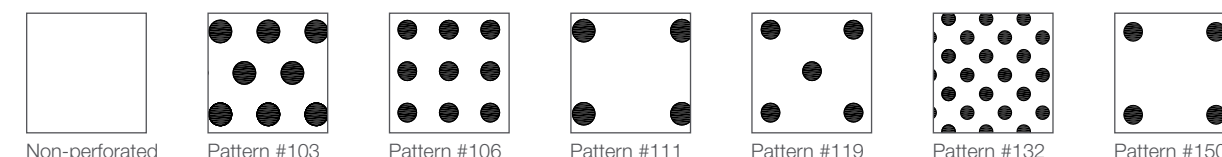


CONFIGURATIONS



PERFORATION PATTERNS

Standard patterns shown. See page 186 to see all perforation patterns. Scale shown: 1:1, unless otherwise noted.



PHYSICAL DATA

- Substrate:** Aluminum
- Warranty:** 1 year
- Seismic rating:** Zones A,B,C,D,E,F
- Fire rating:** Class A Fire Rated per ASTM E84
 - Painted or anodized metal: Flame spread: ≤ 25, Smoke ≤ 50
 - Wood veneer on metal: Flame spread: ≤ 25, Smoke ≤ 55
- Weight:** Varies 0.5 – 2.0 lbs./sq.ft.
- Wind load:** N/A
- Recycled content:** Up to 85%
- Light reflectance (LR) Coefficient per ASTM E1264 & ASTM E1477:**
 - Cotton White: LR = 0.81
- Acoustical ratings – NRC:** See page 190

BIM

REVIT files available for BIM contributions, see website for details.

LEED V4 CREDITS

- MR:** Building Product Disclosure
- EQ:** Low-Emitting Materials
- EQ:** Indoor Air Quality Assessment
- EQ:** Acoustic Performance

CERTIFICATIONS

GREENGUARD Gold Certified
HPDs & EPDs – available upon request