

METAL CEILINGS

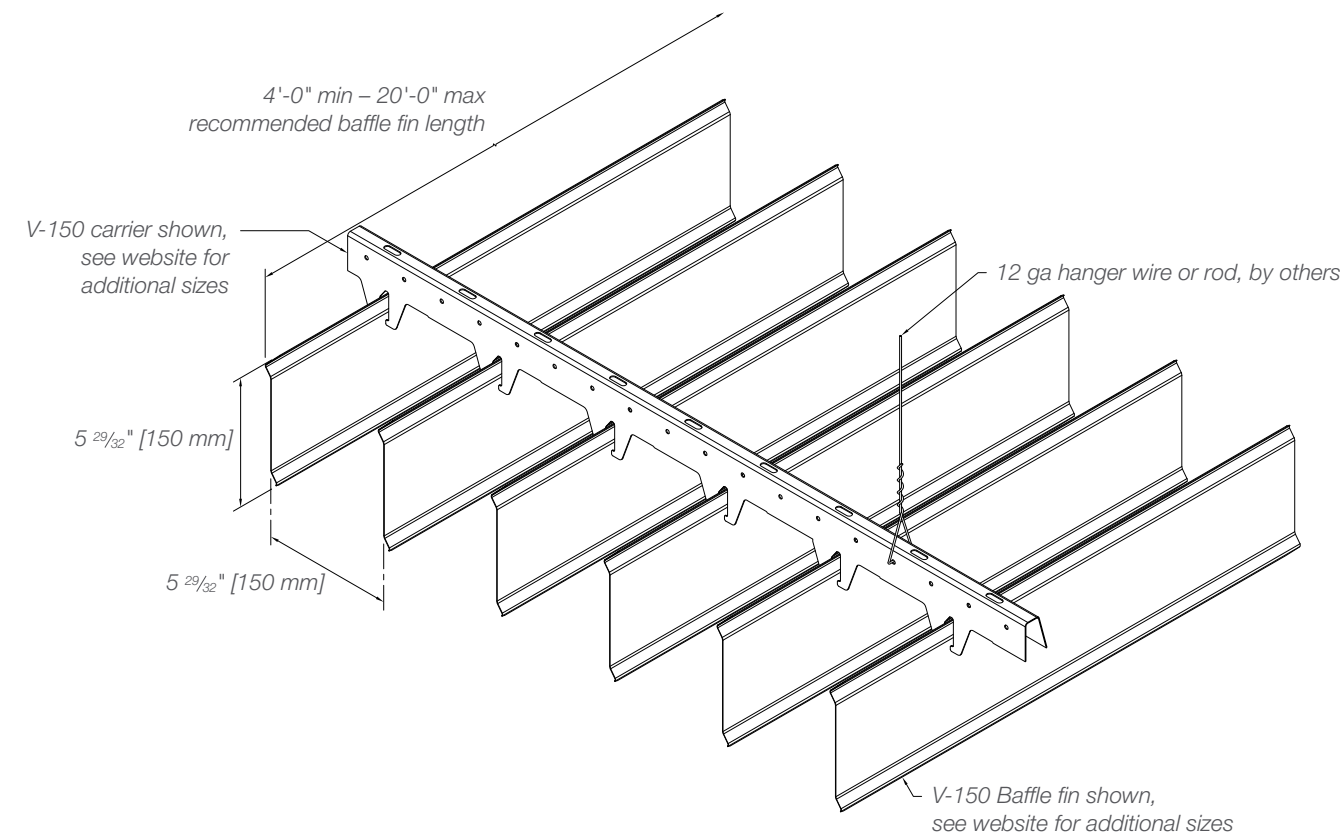
BEAMS & BAFFLES  
V-BAFFLE FINS



The thin blades of V-Baffle Fins offer one-way plenum masking in 4", 6", or 8" depths at 4", 6", or 8" wide spacing.

Project: Soccer Stadium Arena, Amsterdam, Netherlands; V-Baffle Fins

TYPICAL ISOMETRICS

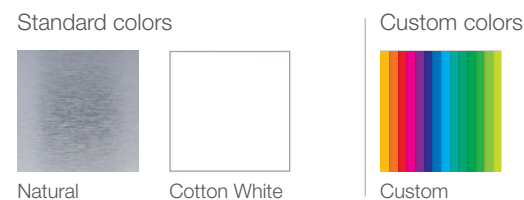


KEY FEATURES

- Baffle spacing: 4", 6" or 8" nominal (standard carrier)
- Additional baffle spacing of 4 3/4", 5 1/2", 6 1/4" or 7" nominal is available with special order carrier
- Supports a variety of patterns including basket weave, herringbone, and radial
- Carriers allow design configurations to be horizontal or sloping
- Sliding carriers can be used for repeated plenum access areas
- Waste reduction with factory fabricated dimensional material
- Downweight: reduce dead load with lightweight aluminum
- Easy plenum access
- Compatible with industry standard lighting, HVAC, speaker, fire safety, and security services

COLORS & FINISHES

Standard colors Natural and Cotton White shown. Client-specific colors available. Minimum quantities may apply. Colors are for illustrative purposes. See page 178 for all colors and finishes.



PHYSICAL DATA

- Substrate:** Aluminum
- Warranty:** 1 year
- Seismic rating:** Zones A,B,C,D,E,F
- Fire rating:** Class A Fire Rated per ASTM E84
  - Painted or anodized metal: Flame spread: ≤ 25, Smoke ≤ 50
- Weight:** Varies 0.5 – 1.0 lbs./sq.ft.
- Wind load:** N/A
- Recycled content:** Up to 92%
- Light reflectance (LR) Coefficient per ASTM E1264 & ASTM E1477:**
  - Cotton White: LR = 0.81

BIM

REVIT files available for BIM contributions, see website for details.

LEED V4 CREDITS

- MR:** Building Product Disclosure
- EQ:** Low-Emitting Materials
- EQ:** Indoor Air Quality Assessment

CERTIFICATIONS

GREENGUARD Gold Certified  
HPDs & EPDs – available upon request