



Designed to withstand wind loads, the Multi-Box Linear metal ceiling system uses a universal carrier for design and install simplicity.

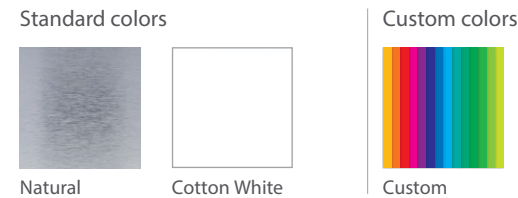
Project: National Ballet School of Canada, Toronto Canada; Multi-Box Series - Exterior

KEY FEATURES

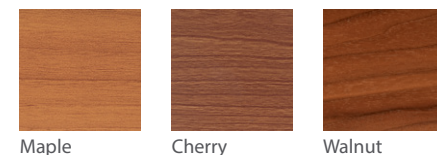
- Panel module widths: 2", 4", 6", 8"
- Panel lengths: 3' to 16'
- Panel depths:
 - 5/8" (Box 2, 4, 6 & 8)
 - 1 1/2" (Deep Box 2)
 - 1" (Deep Box 4, 6 & 8)
- Square-edge design
- Curved carrier application available
- Waste reduction with factory pre-fab and dimensional material
- Downweight: reduce dead load with lightweight aluminum
- Interior and exterior applications
- Compatible with industry standard lighting, HVAC, speaker, fire safety, and security services

COLORS & FINISHES

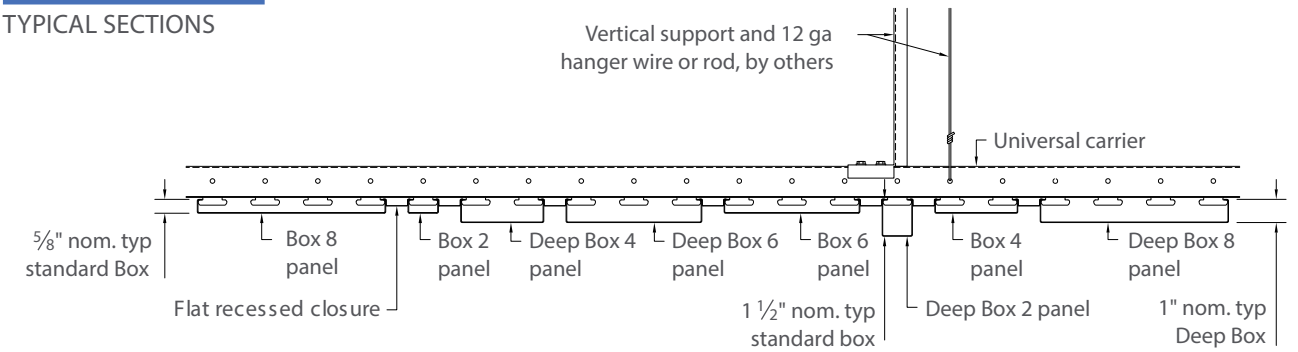
Standard colors Natural and Cotton White shown. Client-specific colors available. Minimum quantities may apply. Colors are for illustrative purposes. See page 178 for all colors and finishes.



Woodwright™ finishes use our painted wood-look finish. See page 180 for all finishes.

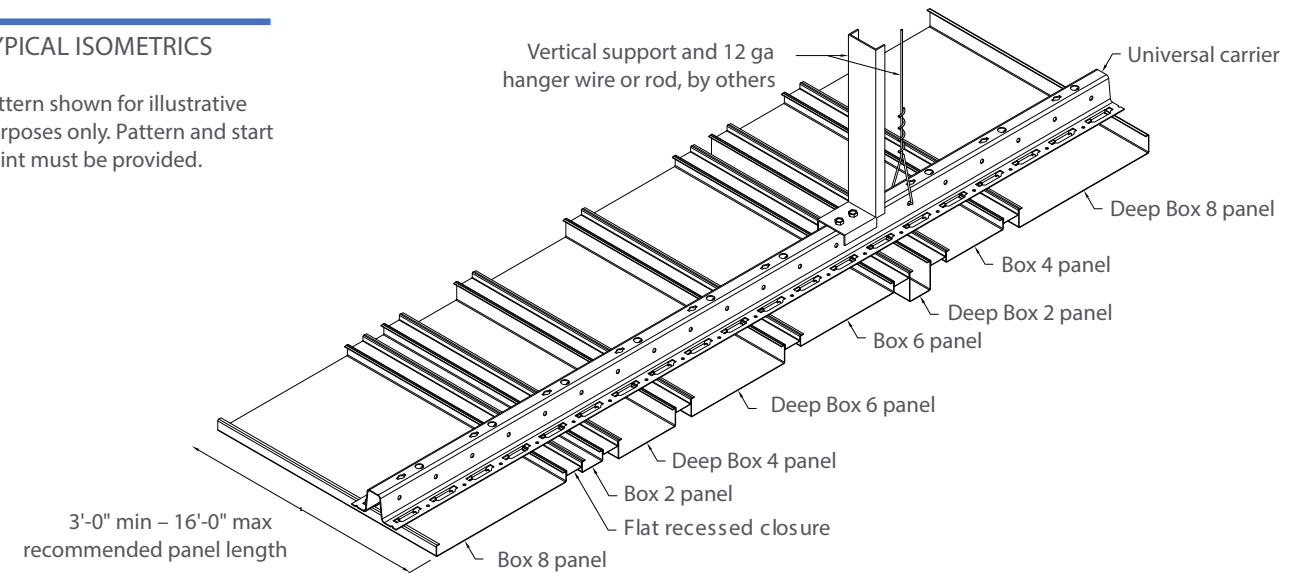


TYPICAL SECTIONS



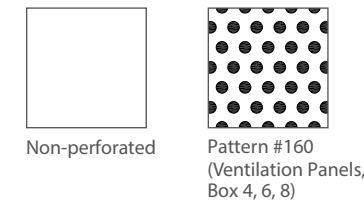
TYPICAL ISOMETRICS

Pattern shown for illustrative purposes only. Pattern and start point must be provided.



PERFORATION PATTERNS

Standard patterns shown. Box 2 and Deep Box 2 available in non-perforated only. Scale shown 1:1, unless otherwise noted.



PHYSICAL DATA

- Substrate: Aluminum
- Warranty: 1 year
- Seismic rating: Zones A,B,C,D,E,F
- Fire rating: Class A Fire Rated per ASTM E84
 - Painted or anodized metal: Flame spread: ≤ 25, Smoke ≤ 50
 - Film on metal: Flame spread: ≤ 25, Smoke ≤ 50
- Weight: Varies 0.5 – 1.0 lbs./sq.ft.
- Wind load: Per code
- Recycled content: Up to 92%
- Light reflectance (LR) Coefficient per ASTM E1264 & ASTM E1477:
 - Cotton White: LR = 0.81

BIM
REVIT files available for BIM contributions, see website for details.

LEED V4 CREDITS

- EA: Optimize Energy Performance
- MR: Building Product Disclosure
- EQ: Low-Emitting Materials
- EQ: Indoor Air Quality Assessment
- EQ: Daylight

CERTIFICATIONS
GREENGUARD Gold Certified
HPDs & EPDs – available upon request