

Designed to withstand wind loads, the Box and Deep Box Linear metal ceiling system uses a universal carrier for design and install simplicity.

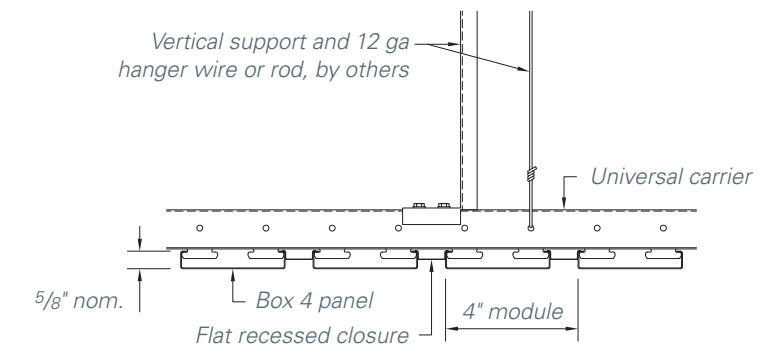
Project: Desert Sky Transit Center, Phoenix, AZ; Deep Box Series – Exterior Photo credit: TAUBE PHOTOGRAPHY

### KEY FEATURES

- Panel module widths: 2", 4", 6", 8"
- Panel lengths: 3' to 16'
- Panel depths:
  - 5/8" (Box 2, 4, 6 & 8)
  - 1 1/2" (Deep Box 2)
  - 1" (Deep Box 4, 6 & 8)
- Square-edge design
- Curved carrier application available
- Waste reduction with factory fabricated dimensional material
- Downweight: reduce dead load with lightweight aluminum
- Interior and exterior applications
- Compatible with industry standard lighting, HVAC, speaker, fire safety, and security services

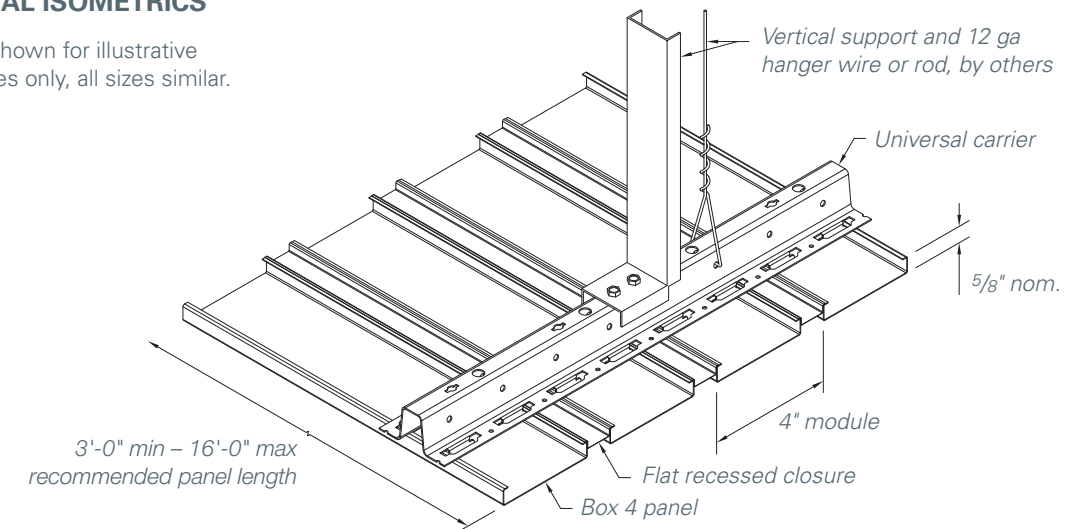
### TYPICAL SECTIONS

Box 4 shown for illustrative purposes only, all sizes similar.



### TYPICAL ISOMETRICS

Box 4 shown for illustrative purposes only, all sizes similar.



### PHYSICAL DATA

**Substrate:** Aluminum  
**Warranty:** 1 year  
**Seismic rating:** Zones A,B,C,D,E,F  
**Fire rating:** Class A Fire Rated per ASTM E84  
 – Painted or anodized metal: Flame spread: ≤ 25, Smoke ≤ 50  
**Weight:** Varies 0.5 – 1.0 lbs./sq.ft.  
**Wind load:** Per code  
**Recycled content:** Up to 92%

### BIM

REVIT files available for BIM contributions, see website for details.

### LEED V4 CREDITS

**EA:** Optimize Energy Performance  
**MR:** Building Product Disclosure  
**EQ:** Low-Emitting Materials  
**EQ:** Indoor Air Quality Assessment  
**EQ:** Daylight

### CERTIFICATIONS

GREENGUARD Gold Certified  
 HPDs & EPDs – available upon request



EXTERIOR SOFFITS

EXTERIOR – LINEAR  
**BOX SERIES / DEEP BOX SERIES – EXTERIOR**

**COLORS & FINISHES**

Hunter Douglas offers a wide choice of colors and finishes. Some colors and finishes carry a premium price over manufacturer’s standard colors. Custom color matching is available upon request. Please contact Hunter Douglas at 800-366-4327 for minimum quantities and lead times. To request samples, contact us at ceiling.samples@hunterdouglas.com. See website for the most up to date information. Colors are for illustration purposes only.

**STANDARD PAINT COLORS**



Natural  
7163



Cotton White  
0280

**CUSTOM COLORS**

Premium custom colors.



Custom

**DECORATED WOOD-LOOK OPTIONS**

Powder-coat paint finish (interior and exterior). Formaldehyde-free, Class A composite panel. This finish is recommended for exterior conditions.



Fonthill Cherry  
8422



Walnut  
8424



Amber Bamboo  
8432



Fine Wenge  
8433



Grey Barnwood  
Cedar 8434



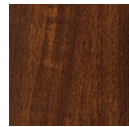
Golden Douglas  
Fir 8436



American Oak  
8439



Cajun Cypress  
8442



Swamp  
Cypress 8444



Clipper Teak  
8446



Windjammer  
Teak 8449



Douglas Fir  
8452



Anigre  
8453



Farm Maple  
8458



Caravel Teak  
8460



Regatta Teak  
8461



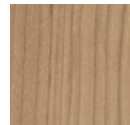
Summer  
Maple 8465



Terrace Maple  
8466



Red River  
Pecan 8467



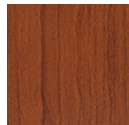
Bayou Pecan  
8468



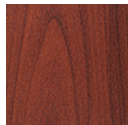
Northwest  
Mountain  
Hemlock 8486



Whitewash  
8487



Rustic Cherry  
8739



Cherry  
8742

**COIL-COATED WOOD-LOOK OPTIONS**

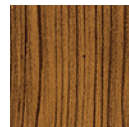
Polyester coil-coated painted finish (interior and exterior). Formaldehyde-free, Class A composite panel. Minimums apply.



Chaucer Maple  
8947



Columbia  
Cherry 8950



Celtic Walnut  
8956



Project: Shake Shack, Las Vegas, NV; Box 6 – Exterior Photo credit: Bob Perzel