

SUBMITTAL SHEET

HIGH PROFILE SERIES™ BAFFLE

Project Name _____

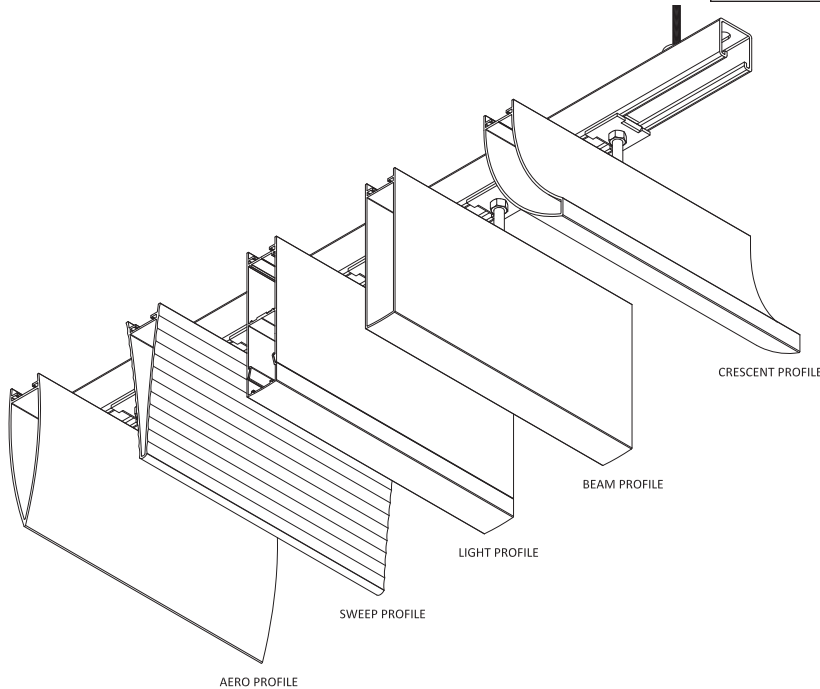
Specification Section _____

Ceiling Type _____

Return Form To Hunter Douglas

E-mail: ceilings@hunterdouglas.com

Fax: 770-806-0214



SUBSTRATE	Extruded Aluminum				
PROFILE	<input type="checkbox"/> Aero	<input type="checkbox"/> Sweep	<input type="checkbox"/> Light Profile	<input type="checkbox"/> Beam	<input type="checkbox"/> Crescent
BEAM SPACING	<input type="checkbox"/> 6"	<input type="checkbox"/> 8"	<input type="checkbox"/> 12"	<input type="checkbox"/> Other _____	
COLOR/FINISH	<input type="checkbox"/> Cotton White – #0280 <input type="checkbox"/> Natural – #7163		<input type="checkbox"/> Veneer _____ <input type="checkbox"/> Decorated _____		<input type="checkbox"/> Other _____
LIGHT FIXTURE	<input type="checkbox"/> Yes <input type="checkbox"/> No (If yes, submit completed Light Fixture Specification Data Sheet GHD16R)				
EXPOSURE	<input type="checkbox"/> Interior Only				
SHOP DRAWINGS ATTACHED?	<input type="checkbox"/> Yes <input type="checkbox"/> No				
SUSPENSION	<input type="checkbox"/> Unistrut® <input type="checkbox"/> 15/16" T-Grid (heavy duty)				
HANGER BRACKET*	<input type="checkbox"/> Painted to match suspension			<input type="checkbox"/> Painted to match Beam	
END CAPS	<input type="checkbox"/> Yes <input type="checkbox"/> No				
SPLICES	<input type="checkbox"/> Yes <input type="checkbox"/> No				

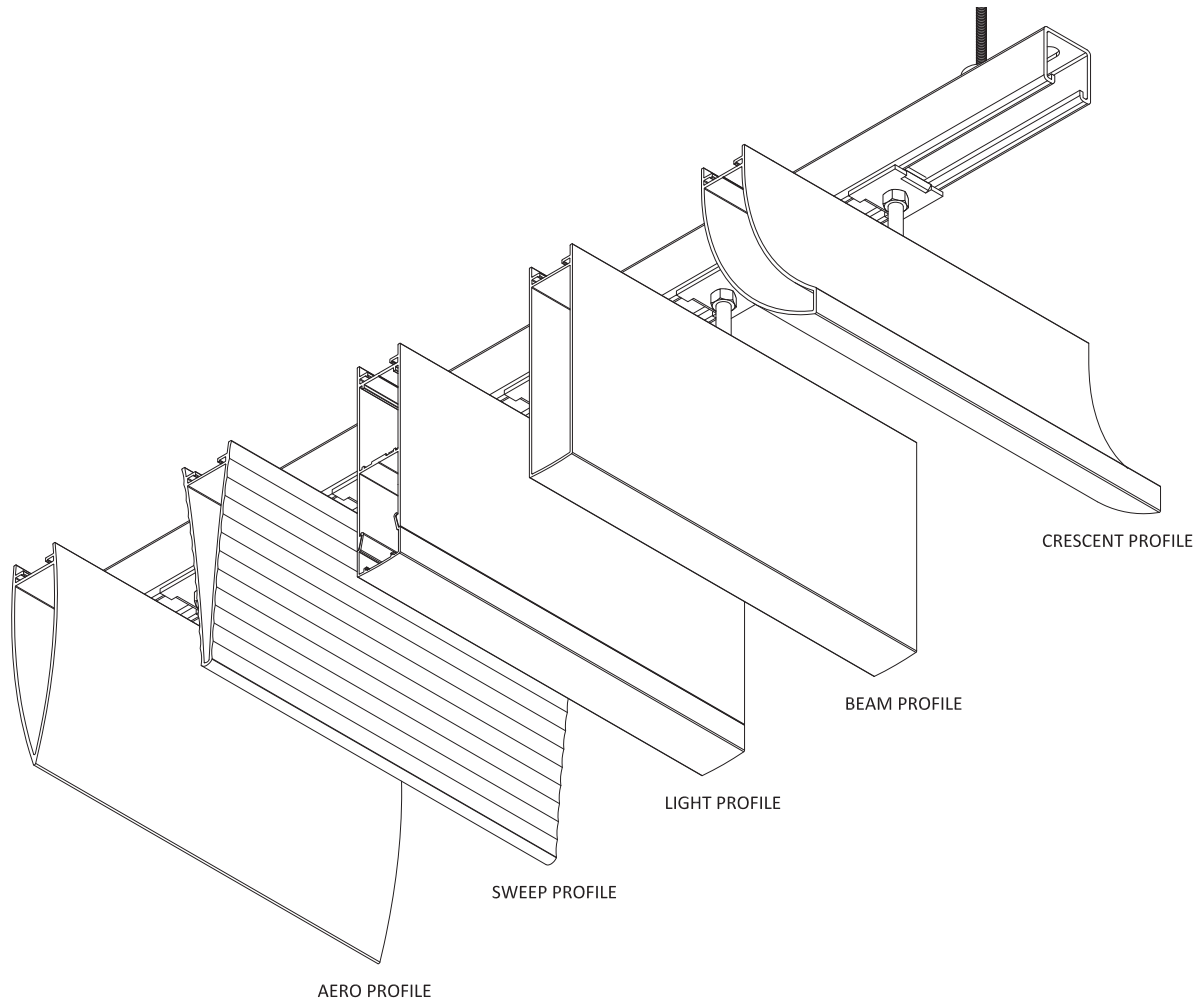
* If Beam is decorated or veneer, hanger bracket must match suspension.

To Contact Us:
 5015 Oakbrook Parkway, Suite 100
 Norcross, GA 30093
 phone: 800.366.4327
 fax: 770.806.0214
www.hunterdouglascontract.com/ceilings

HunterDouglasContract

CEILINGS

SUBMITTAL SHEET HIGH PROFILE SERIES™ BAFFLE



TESTING RESULTS

Surface Burning Class A (ASTM E84)
 Flame \leq 25
 Smoke \leq 50

Light Reflectance LR1
 (White)

Stability under humidity Yes

IAQ Friendly Yes – Mold & Mildew Resistant

VOCs No

Fiber Content No

Moisture Resistance Excellent

Life Cycle Excellent

