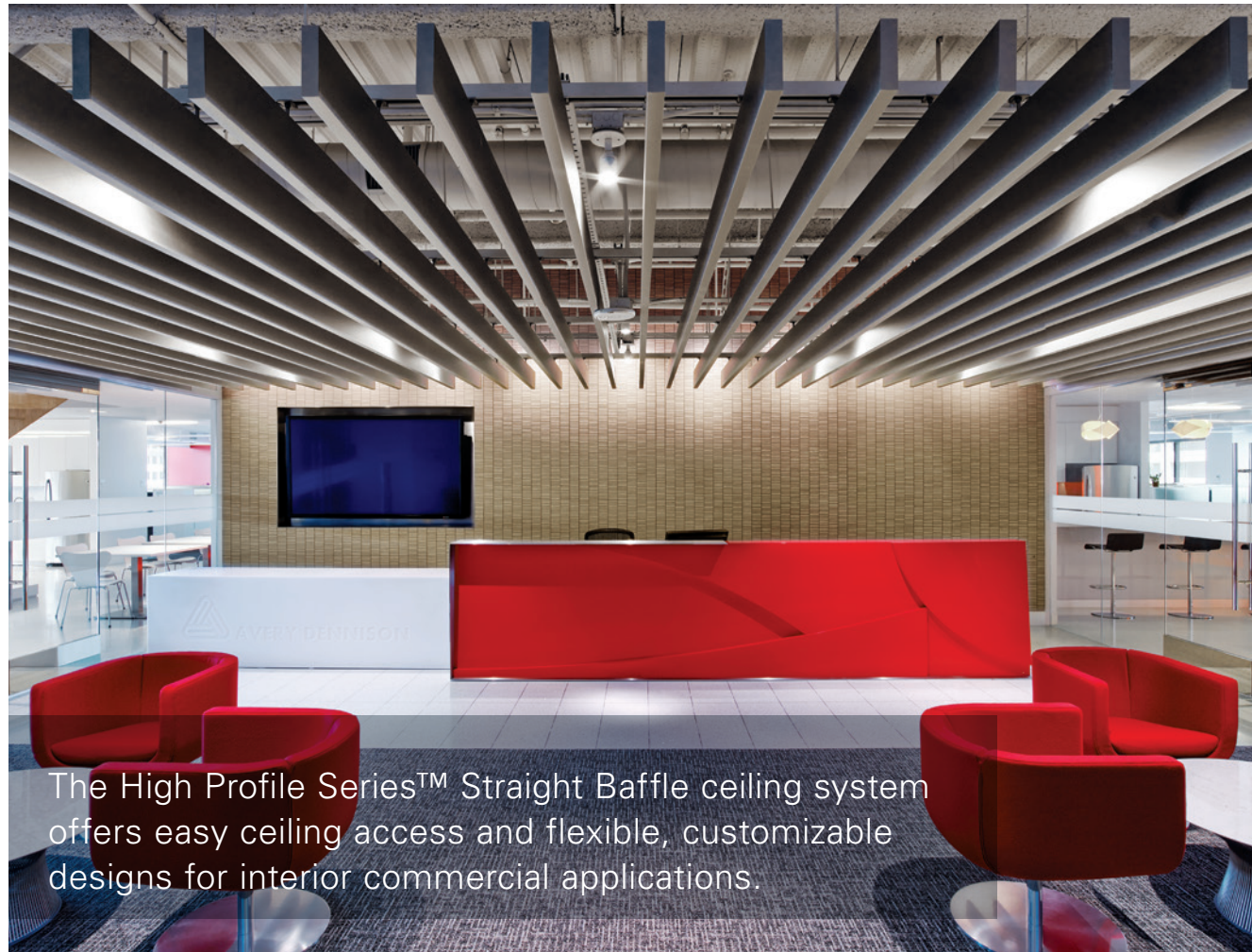


METAL
CEILINGSBEAMS & BAFFLES
HIGH PROFILE SERIES™ – STRAIGHT

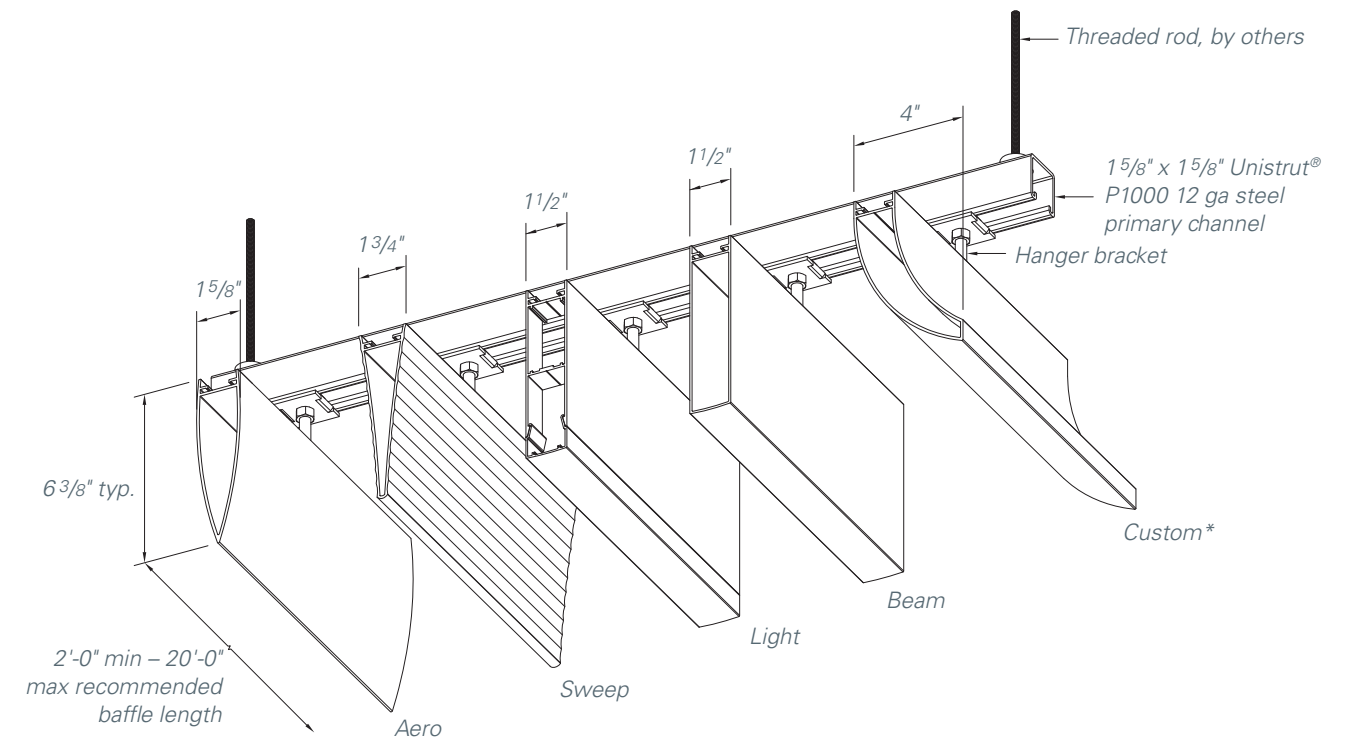
The High Profile Series™ Straight Baffle ceiling system offers easy ceiling access and flexible, customizable designs for interior commercial applications.

Project: Avery Dennison, Glendale, CA; High Profile Series™ – Straight

KEY FEATURES

- Client specific shapes and finishes:
 - 1 1/2" or 2" width up to 8" height
 - 1 1/2" to 4" width up to 6" height
- Standard beam sizes include (W x H):
 - 1 1/2" x 4 3/8", 1 1/2" x 6 3/8", 2" x 8", 4" x 4"
- Extruded aluminum profiles with exacting fit and finish
- Seamless baffles up to 20 feet in length
- Integrated lighting options
- Unistrut® support system
- Baffles can be collapsible along Unistrut® for easy accessibility
- Client-specific suspension systems
- Patented locking mechanism

TYPICAL ISOMETRICS



* Custom shown. Client-specific profiles available – contact Hunter Douglas.

PHYSICAL DATA

Substrate: Aluminum
Warranty: 1 year
Seismic rating: Zones A,B,C,D,E,F
Fire rating: Class A Fire Rated per ASTM E84

- Painted or anodized metal: Flame spread: ≤ 25, Smoke ≤ 50
- Wood veneer on metal: Flame spread: ≤ 25, Smoke ≤ 55 (for interior applications)

Weight: Varies 2.0 – 4.0 lbs./sq.ft.
Wind load: N/A
Recycled content: Up to 50%
Light reflectance (LR) Coefficient per ASTM E1264 & ASTM E1477:

- Cotton White: LR = 0.81

BIM

REVIT files available for BIM contributions, see website for details.

LEED V4 CREDITS

MR: Building Product Disclosure
EQ: Low-Emitting Materials
EQ: Indoor Air Quality Assessment

CERTIFICATIONS

GREENGUARD Gold Certified
 FSC chain of custody veneers available
 HPDs & EPDs – available upon request

METAL CEILINGS

BEAMS & BAFFLES
HIGH PROFILE SERIES™ – STRAIGHT

COLORS & FINISHES

Hunter Douglas offers a wide choice of colors and finishes. Some colors and finishes carry a premium price over manufacturer's standard colors. Custom color matching is available upon request. Please contact Hunter Douglas at 800-366-4327 for minimum quantities and lead times. To request samples, contact us at ceiling.samples@hunterdouglas.com. See website for the most up to date information. Colors are for illustration purposes only.

STANDARD PAINT COLORS



Natural 7163
Cotton White 0280

CUSTOM COLORS

Premium custom colors.



Custom

WHITE FINISH OPTIONS

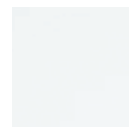
Powder-coat paint finish for Arctic White #1015P (Gloss 10-20); Crystalline White #1050P (Gloss 45-55); Supernova White #1085P (Gloss 80-90)



Arctic White 1015P
Crystalline White 1050P
Supernova White 1085P

PERFORMANCE WHITE PAINT FINISH

Powder-coat paint finish offering LRV 96; non-glare, 3% low gloss finish. Certified by: Applied Technical Services, Inc. Test Report No. D233185. Test reports available by request.



Performance White 9603P

ANODIZED FINISH



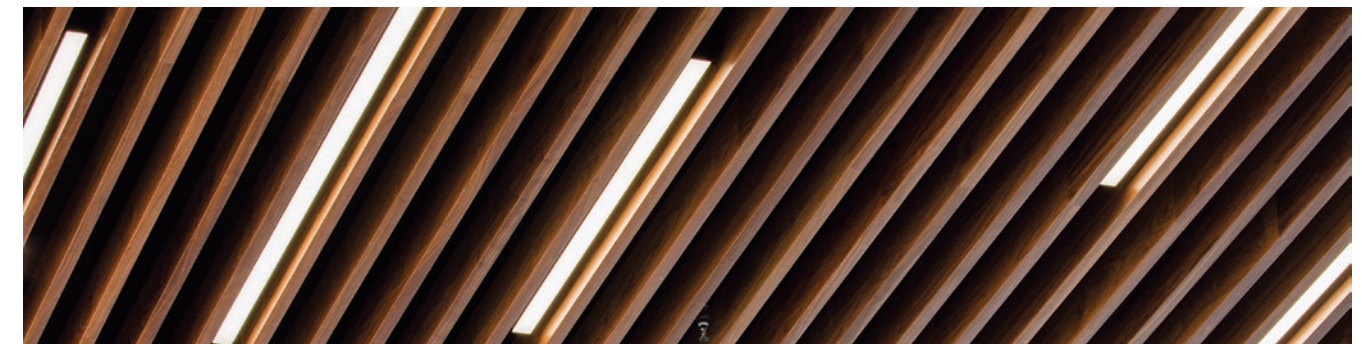
Satin Anodized 0010

BLACK FINISH OPTIONS

Powder-coat paint finish for Starless Black #5000P (Matte); Raven Black #5030P (Gloss 25-35); Sable Black #5060P (Gloss 65-75); Wet Glass Black #5095P (Gloss 90-95)



Starless Black 5000P
Raven Black 5030P
Sable Black 5060P
Wet Glass Black 5095P



STANDARD WOOD VENEER OPTIONS

Real wood veneer (interior only). Formaldehyde-free, Class A composite panel. Note: This is a small subset of veneers available. Please contact Hunter Douglas for client-specific species and stains.



White Oak (Rift) 9003
Douglas Fir (VG) 9005
Cherry (Flat) 9013
Walnut (Flat) 9114
Anigre (Qtr) 9122
Maple (Flat) 9427

DECORATED WOOD-LOOK OPTIONS

Powder-coat paint finish (interior and exterior). Formaldehyde-free, Class A composite panel. This finish is recommended for exterior conditions.



DECORATED MASONRY OPTIONS

Powder-coat paint finish (interior and exterior). Formaldehyde-free, Class A composite panel. This finish is recommended for exterior conditions.

