



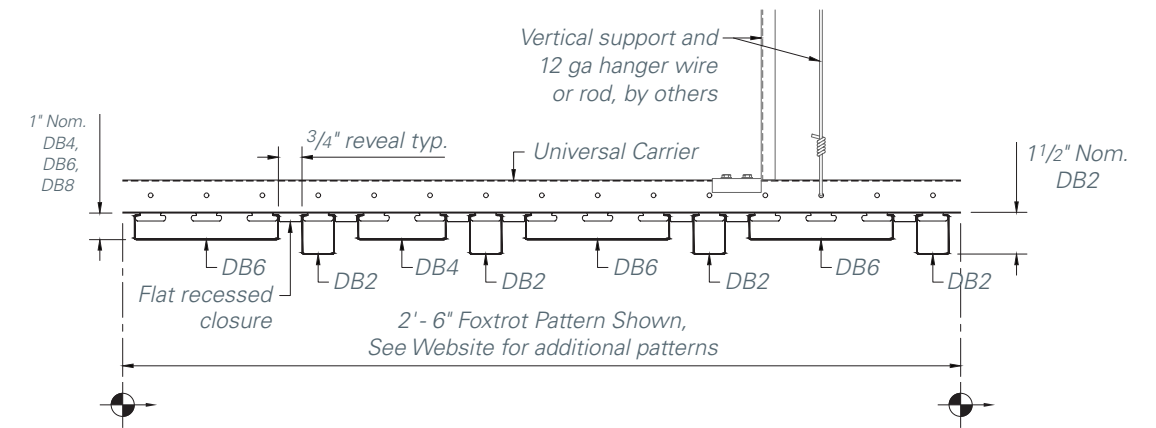
Project: King Road Branch Library, Toledo, OH; Multi-Box Continuous – Exterior Photo credit: Bob Perzel

Designed to withstand wind loads, the Multi-Box Continuous metal ceiling system uses a universal carrier for design and install simplicity.

KEY FEATURES

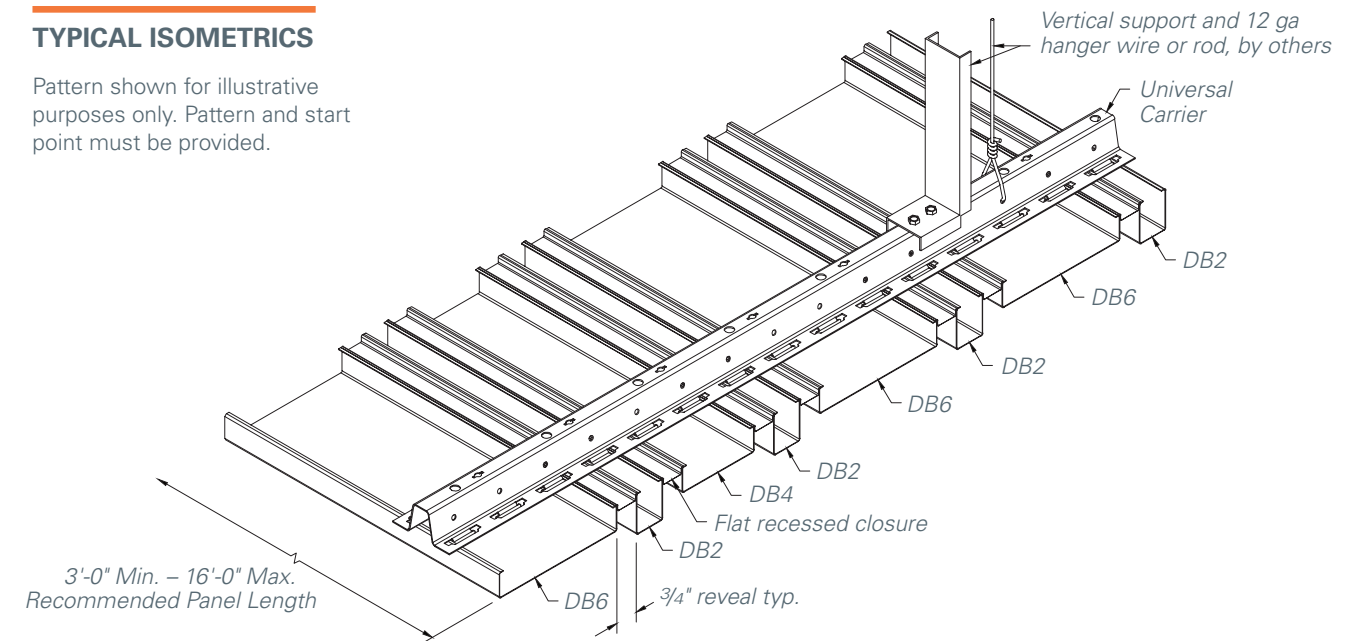
- Panel module widths: 2", 4", 6", 8"
- Panel lengths: 3' to 16'
- Panel depths:
 - 5/8" (Box 2, 4, 6 & 8)
 - 1 1/2" (Deep Box 2)
 - 1" (Deep Box 4, 6 & 8)
- Square-edge design
- Curved carrier application available
- Waste reduction with factory fabricated dimensional material
- Downweight: reduce dead load with lightweight aluminum
- Interior and exterior applications
- Compatible with industry standard lighting, HVAC, speaker, fire safety, and security services

TYPICAL SECTIONS



TYPICAL ISOMETRICS

Pattern shown for illustrative purposes only. Pattern and start point must be provided.



PHYSICAL DATA

Substrate: Aluminum
Warranty: 1 year
Seismic rating: Zones A,B,C,D,E,F
Fire rating: Class A Fire Rated per ASTM E84
 – Painted or anodized metal: Flame spread: ≤ 25, Smoke ≤ 50
Weight: Varies 0.5 – 1.0 lbs./sq.ft.
Wind load: Per code
Recycled content: Up to 92%

BIM

REVIT files available for BIM contributions, see website for details.

LEED V4 CREDITS

EA: Optimize Energy Performance
MR: Building Product Disclosure
EQ: Low-Emitting Materials
EQ: Indoor Air Quality Assessment
EQ: Daylight

CERTIFICATIONS

GREENGUARD Gold Certified
 HPDs & EPDs – available upon request

EXTERIOR SOFFITS

EXTERIOR – LINEAR
MULTI-BOX CONTINUOUS – EXTERIOR

COLORS & FINISHES

Hunter Douglas offers a wide choice of colors and finishes. Some colors and finishes carry a premium price over manufacturer’s standard colors. Custom color matching is available upon request. Please contact Hunter Douglas at 800-366-4327 for minimum quantities and lead times. To request samples, contact us at ceiling.samples@hunterdouglas.com. See website for the most up to date information. Colors are for illustration purposes only.

STANDARD PAINT COLORS



Natural
7163

CUSTOM COLORS

Premium custom colors.



Custom

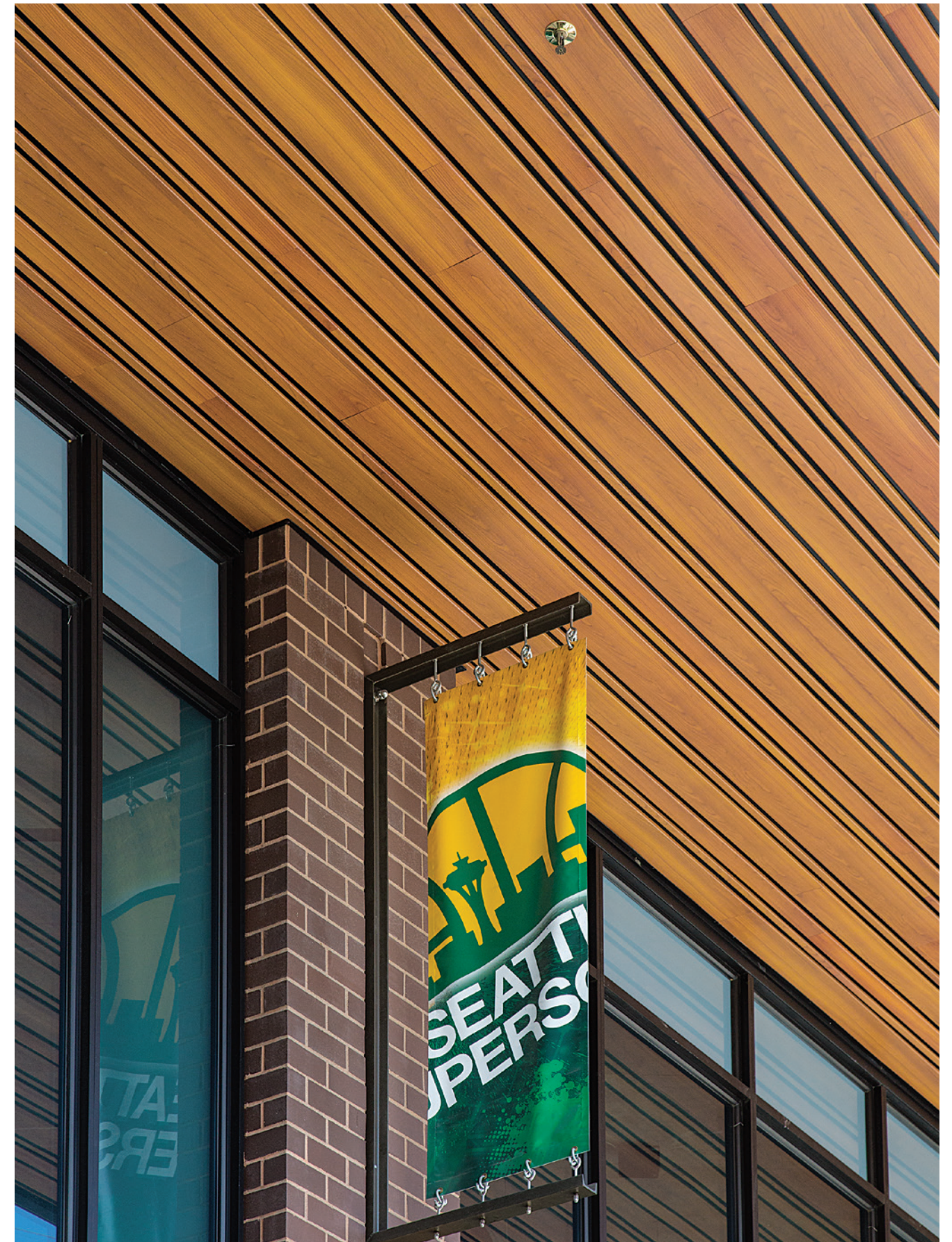
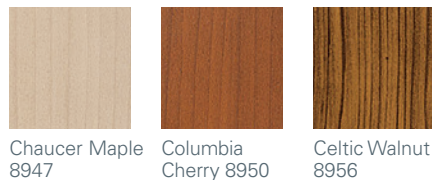
DECORATED WOOD-LOOK OPTIONS

Powder-coat paint finish (interior and exterior). Formaldehyde-free, Class A composite panel. This finish is recommended for exterior conditions.



COIL-COATED WOOD-LOOK OPTIONS

Polyester coil-coated painted finish (interior and exterior). Formaldehyde-free, Class A composite panel. Minimums apply.



Project: Home Plate Center at SODO, Seattle, WA; Multi-Box Continuous – Exterior Photo credit: Bob Perzel