

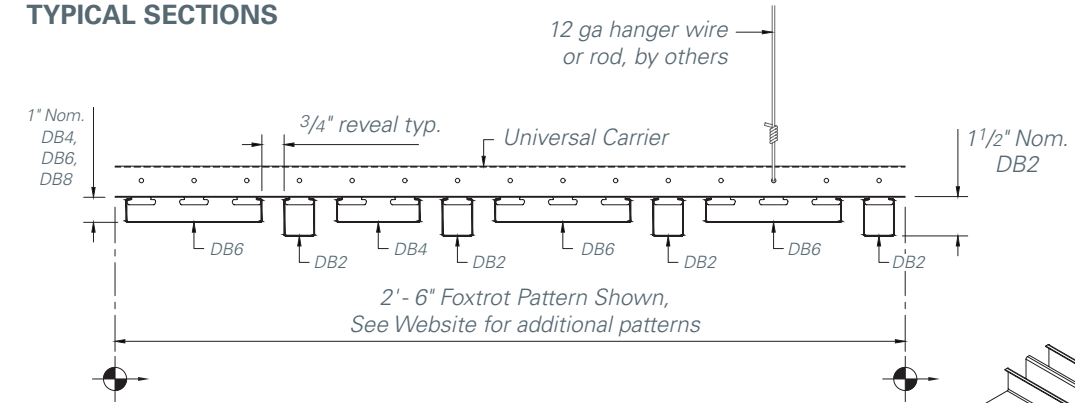
The Multi-Box Continuous metal ceiling system uses a universal carrier enabling an unlimited combination of panel depths and widths using Box and Deep Box 2", 4", 6" and 8" panels.

Project: Populous Office, Kansas City, MO; Multi-Box Continuous Photo credit: Bob Perzel

KEY FEATURES

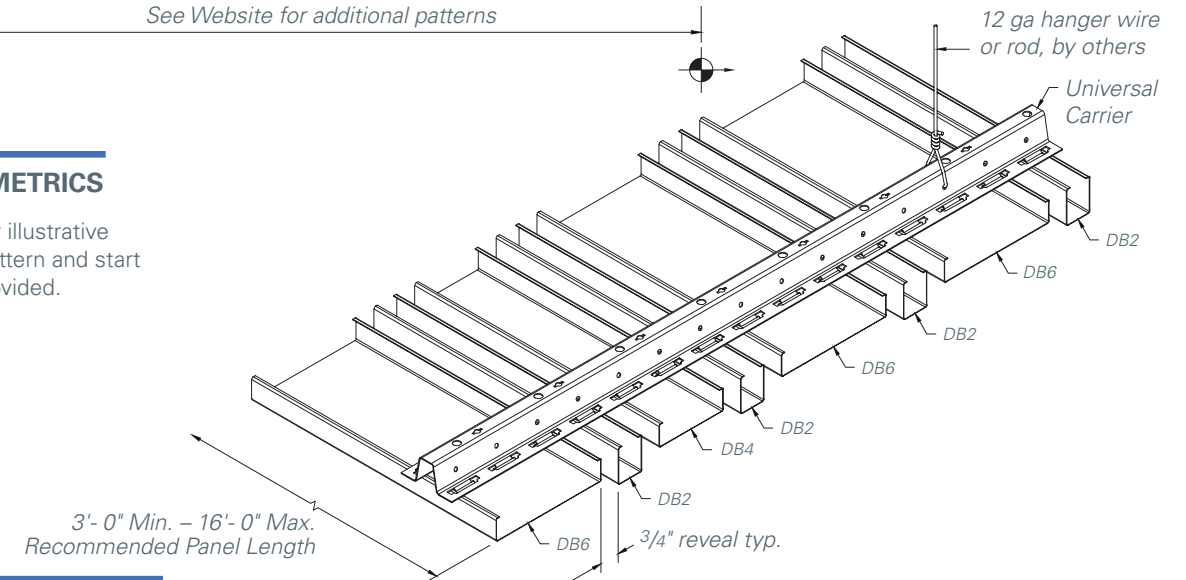
- Panel module widths: 2", 4", 6" and 8"
- Panel lengths: 3' to 16'
- Panel depths:
 - 5/8" (Box 2, 4, 6 & 8)
 - 1" (Deep Box 4, 6 & 8)
 - 1 1/2" (Deep Box 2)
- Square-edge design
- Curved carrier application available
- Ten patterns available; see website for details
- Waste reduction with factory fabricated dimensional material
- Downweight: reduce dead load with lightweight aluminum
- Easy plenum access
- Interior and exterior applications
- Compatible with industry standard lighting, HVAC, speaker, fire safety, and security services

TYPICAL SECTIONS



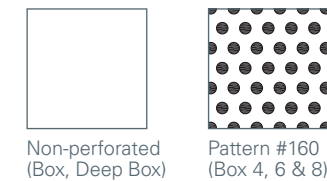
TYPICAL ISOMETRICS

Pattern shown for illustrative purposes only. Pattern and start point must be provided.



PERFORATION PATTERNS

Standard patterns shown. Perforations not available on real wood veneer. Scale shown: 1:1, unless otherwise noted.



PHYSICAL DATA

- Substrate:** Aluminum
- Warranty:** 1 year
- Seismic rating:** Zones A,B,C,D,E,F
- Fire rating:** Class A Fire Rated per ASTM E84
 - Painted or anodized metal: Flame spread: ≤ 25, Smoke ≤ 50
 - Film on metal: Flame spread: ≤ 25, Smoke ≤ 50
 - Wood veneer on metal: Flame spread: ≤ 25, Smoke ≤ 55 (for interior applications)
- Weight:** Varies 0.5 – 1.0 lbs./sq.ft.
- Wind load:** Per code (for exterior applications)
- Recycled content:** Up to 92%
- Light reflectance (LR) Coefficient per ASTM E1264 & ASTM E1477:**
 - Varies with finish
 - Cotton White: LR = 0.81
- Acoustical ratings – NRC:** See page 240

BIM

REVIT files available for BIM contributions, see website for details.

LEED V4 CREDITS

- EA: Optimize Energy Performance
- MR: Building Product Disclosure
- EQ: Low-Emitting Materials
- EQ: Indoor Air Quality Assessment
- EQ: Daylight
- EQ: Acoustic Performance

CERTIFICATIONS

- GREENGUARD Gold Certified
- FSC chain of custody veneers available
- HPDs & EPDs – available upon request

METAL CEILINGS

LINEAR MULTI-BOX CONTINUOUS

COLORS & FINISHES

Hunter Douglas offers a wide choice of colors and finishes. Some colors and finishes carry a premium price over manufacturer's standard colors. Custom color matching is available upon request. Please contact Hunter Douglas at 800-366-4327 for minimum quantities and lead times. To request samples, contact us at ceiling.samples@hunterdouglas.com. See website for the most up to date information. Colors are for illustration purposes only.

STANDARD PAINT COLORS



Natural 7163 Cotton White 0280

CUSTOM COLORS

Premium custom colors.



Custom

WHITE FINISH OPTIONS

Powder-coat paint finish for Arctic White #1015P (Gloss 10-20); Crystalline White #1050P (Gloss 45-55); Supernova White #1085P (Gloss 80-90)



Arctic White 1015P Crystalline White 1050P Supernova White 1085P

PERFORMANCE WHITE PAINT FINISH

Powder-coat paint finish offering LRV 96; non-glare, 3% low gloss finish. Certified by: Applied Technical Services, Inc. Test Report No. D233185. Test reports available by request.



Performance White 9603P

STANDARD METALLIC



Brushed Aluminum 0004

BLACK FINISH OPTIONS

Powder-coat paint finish for Starless Black #5000P (Matte); Raven Black #5030P (Gloss 25-35); Sable Black #5060P (Gloss 65-75); Wet Glass Black #5095P (Gloss 90-95)



Starless Black 5000P Raven Black 5030P Sable Black 5060P Wet Glass Black 5095P



STANDARD WOOD VENEER OPTIONS

Real wood veneer (interior only). Formaldehyde-free, Class A composite panel. Non-perforated only. Note: This is a small subset of veneers available. Please contact Hunter Douglas for client-specific species and stains.



White Oak (Rift) 9003 Douglas Fir (VG) 9005 Cherry (Flat) 9013 Walnut (Flat) 9114 Anigre (Qtr) 9122 Maple (Flat) 9427

DECORATED WOOD-LOOK OPTIONS

Powder-coat paint finish (interior and exterior). Formaldehyde-free, Class A composite panel. This finish is recommended for exterior conditions.



COIL-COATED WOOD-LOOK OPTIONS

Polyester coil-coated painted finish (interior and exterior). Formaldehyde-free, Class A composite panel. Minimums apply.



Chaucer Maple 8947 Columbia Cherry 8950 Celtic Walnut 8956

LAMINATED (FILM) WOOD FINISHES

Film (interior only). Formaldehyde-free, Class A composite panel. Minimums apply.



American Natural 8000 Russian Maple 8003 Hayward Cherry 8005 Caramel Bamboo 8030 Straight Larch 8104 Northern Walnut 8105 Eastern Black Walnut 8106 Chatham Oak 8107