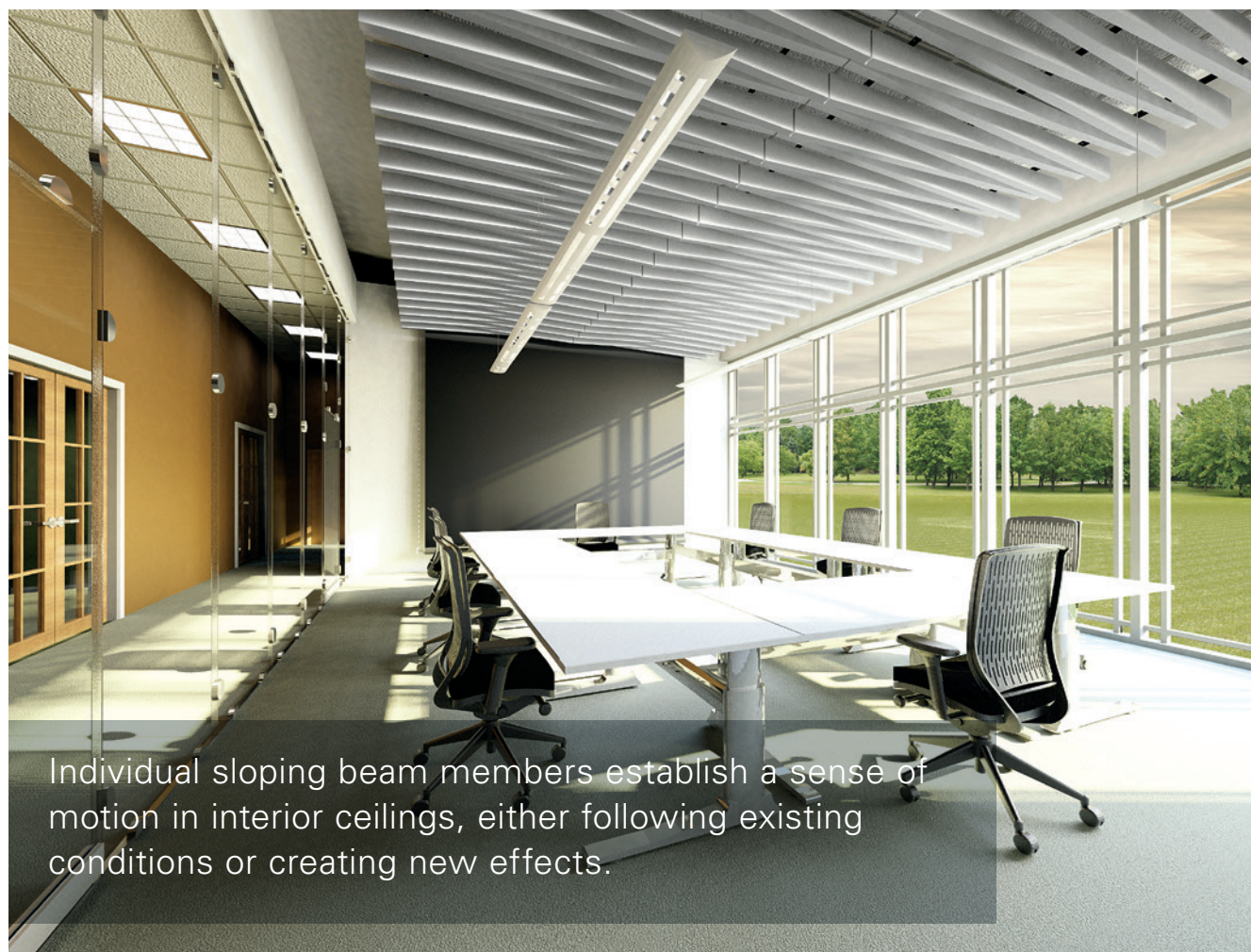


METAL
CEILINGSBEAMS & BAFFLES
TAVOLA™ CANTED

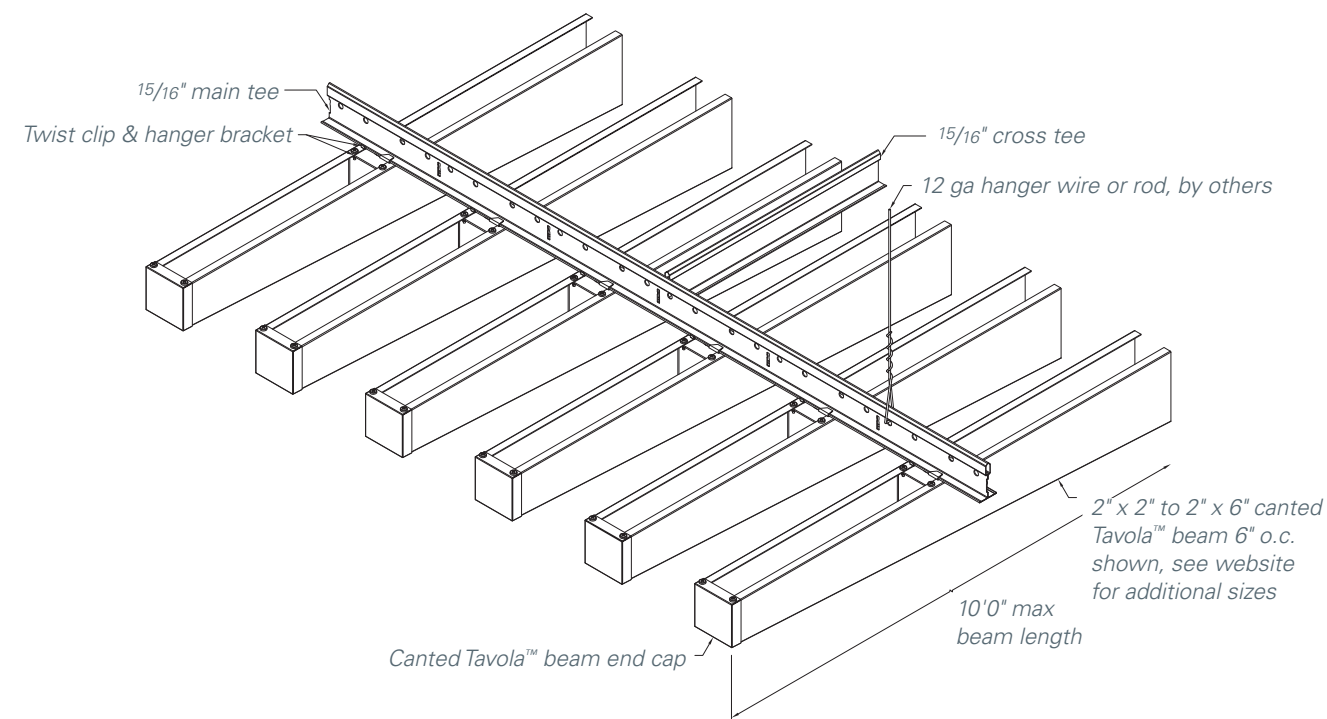
Individual sloping beam members establish a sense of motion in interior ceilings, either following existing conditions or creating new effects.

Project: Tavola™ Canted Concept

KEY FEATURES

- Create movement with individual sloping beam dimensions
- Three beam types, three beam depths: 2" – 6", 2" – 4", 4" – 6"
- Standard heavy-duty 15/16" T-grid suspension
- Waste reduction with factory fabricated dimensional material
- Downweight: reduce dead load with lightweight aluminum
- Compatible with industry standard lighting, HVAC, speaker, fire safety, and security services

TYPICAL ISOMETRICS



PERFORATION PATTERNS

Tavola™ Canted available only non-perforated.



Non-perforated

PHYSICAL DATA

Substrate: Aluminum
Warranty: 1 year
Seismic rating: Zones A,B,C,D,E,F
Fire rating: Class A Fire Rated per ASTM E84
 – Painted or anodized metal: Flame spread: ≤ 25, Smoke ≤ 50
Weight: Varies 0.5 – 2.0 lbs./sq.ft.
Wind load: N/A
Recycled content: Up to 85%
Light reflectance (LR) Coefficient per ASTM E1264 & ASTM E1477:
 – Cotton White: LR = 0.81

BIM

REVIT files available for BIM contributions, see website for details.

LEED V4 CREDITS

MR: Building Product Disclosure
EQ: Low-Emitting Materials
EQ: Indoor Air Quality Assessment
EQ: Acoustic Performance

CERTIFICATIONS

GREENGUARD Gold Certified
 HPDs & EPDs – available upon request

METAL CEILINGS

BEAMS & BAFFLES
TAVOLA™ CANTED

COLORS & FINISHES

Hunter Douglas offers a wide choice of colors and finishes. Some colors and finishes carry a premium price over manufacturer's standard colors. Custom color matching is available upon request. Please contact Hunter Douglas at 800-366-4327 for minimum quantities and lead times. To request samples, contact us at ceiling.samples@hunterdouglas.com. See website for the most up to date information. Colors are for illustration purposes only.

STANDARD PAINT COLORS



Natural 7163
Cotton White 0280

WHITE FINISH OPTIONS

Powder-coat paint finish for Arctic White #1015P (Gloss 10-20); Crystalline White #1050P (Gloss 45-55); Supernova White #1085P (Gloss 80-90)



Arctic White 1015P
Crystalline White 1050P
Supernova White 1085P

BLACK FINISH OPTIONS

Powder-coat paint finish for Starless Black #5000P (Matte); Raven Black #5030P (Gloss 25-35); Sable Black #5060P (Gloss 65-75); Wet Glass Black #5095P (Gloss 90-95)



Starless Black 5000P
Raven Black 5030P
Sable Black 5060P
Wet Glass Black 5095P

CUSTOM COLORS

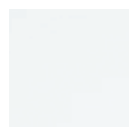
Premium custom colors.



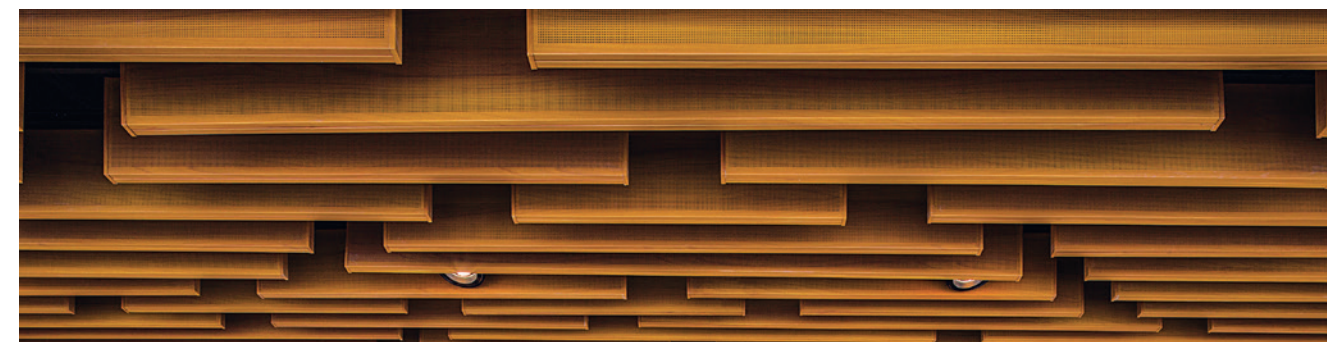
Custom

PERFORMANCE WHITE PAINT FINISH

Powder-coat paint finish offering LRV 96; non-glare, 3% low gloss finish. Certified by: Applied Technical Services, Inc. Test Report No. D233185. Test reports available by request.



Performance White 9603P



DECORATED WOOD-LOOK OPTIONS

Powder-coat paint finish (interior and exterior). Formaldehyde-free, Class A composite panel. This finish is recommended for exterior conditions.



LAMINATED (FILM) WOOD FINISHES

Film (interior only). Formaldehyde-free, Class A composite panel. Minimums apply.

