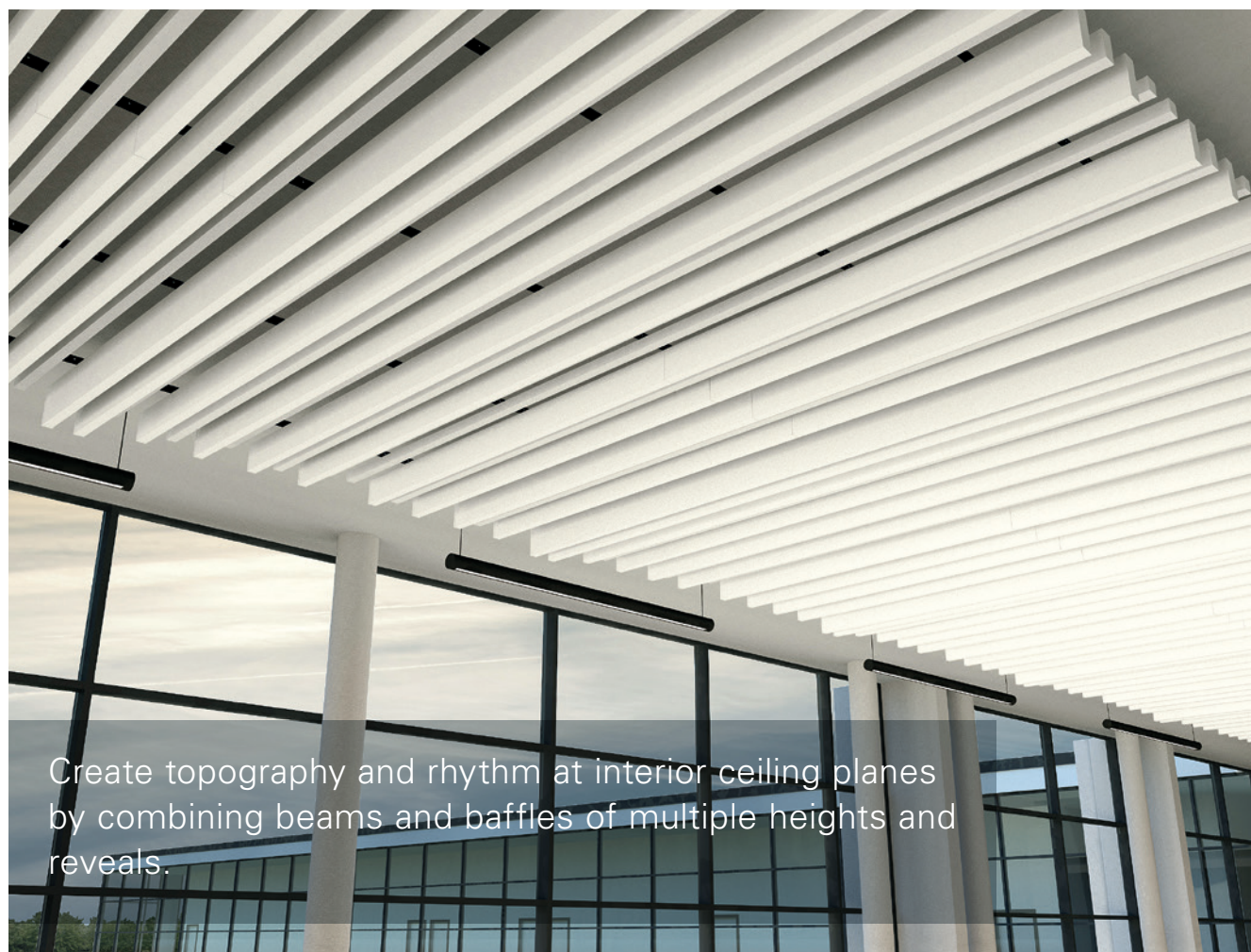


METAL CEILINGS

BEAMS & BAFFLES
TAVOLA™ LEVELS



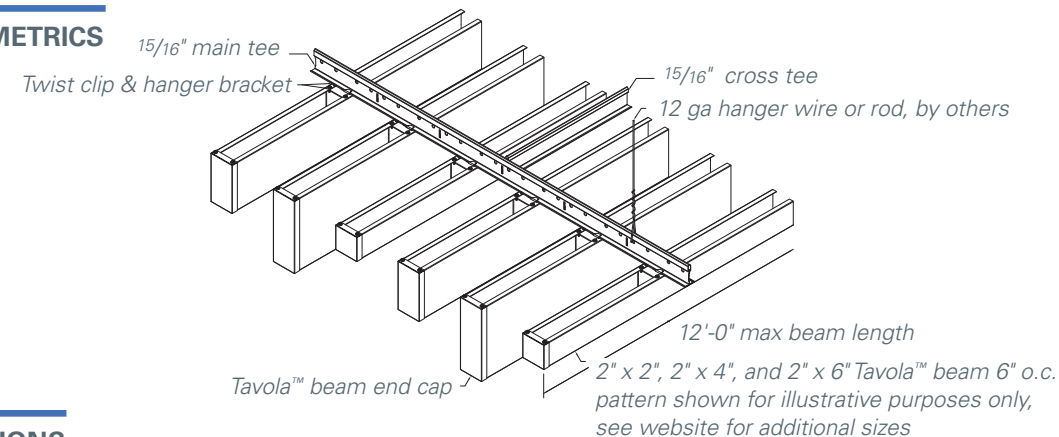
Create topography and rhythm at interior ceiling planes by combining beams and baffles of multiple heights and reveals.

Project: Tavola™ Levels Concept

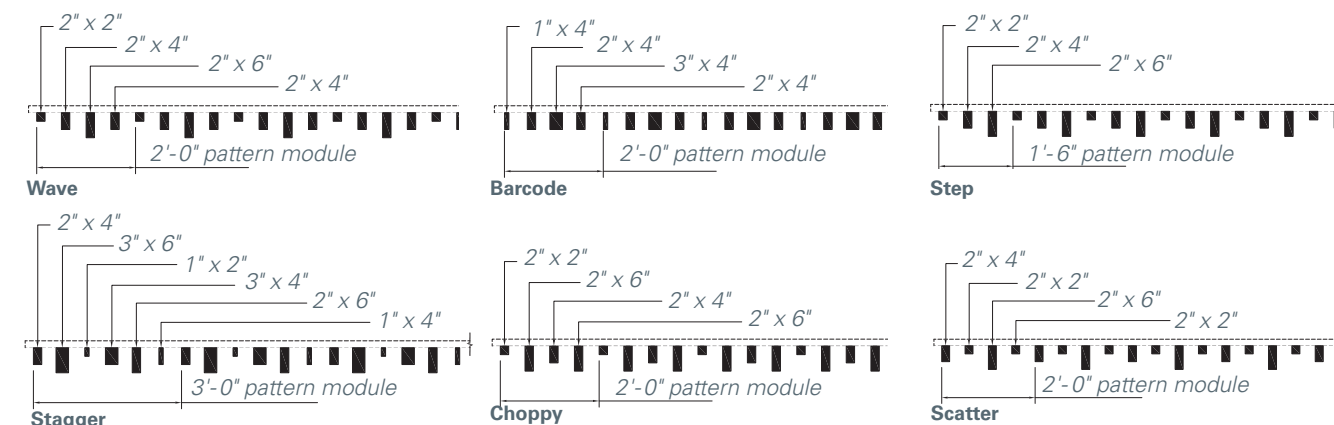
KEY FEATURES

- Create topography with multiple beam heights and multiple beam widths
- Multitude of profile dimensions up to 12' long
- Three perforation patterns for elevated acoustics
- Standard heavy-duty 15/16" T-grid suspension
- Waste reduction with factory fabricated dimensional material
- Downweight: reduce dead load with lightweight aluminum
- Compatible with industry standard lighting, HVAC, speaker, fire safety, and security services

TYPICAL ISOMETRICS

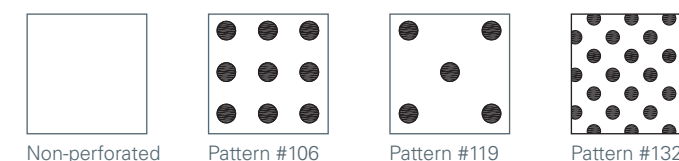


CONFIGURATIONS



PERFORATION PATTERNS

Standard patterns shown. Perforations not available on real wood veneer. Scale shown: 1:1, unless otherwise noted.



PHYSICAL DATA

- Substrate: Aluminum
- Warranty: 1 year
- Seismic rating: Zones A,B,C,D,E,F
- Fire rating: Class A Fire Rated per ASTM E84
 - Painted or anodized metal: Flame spread: ≤ 25, Smoke ≤ 50
 - Wood veneer on metal: Flame spread: ≤ 25, Smoke ≤ 55 (for interior applications)
- Weight: Varies 0.5 – 2.1 lbs./sq.ft.
- Wind load: N/A
- Recycled content: Up to 85%
- Light reflectance (LR) Coefficient per ASTM E1264 & ASTM E1477:
 - Varies with finish
 - Cotton White: LR = 0.81
- Acoustical ratings – NRC: See page 241

BIM

REVIT files available for BIM contributions, see website for details.

LEED V4 CREDITS

- MR: Building Product Disclosure
- EQ: Low-Emitting Materials
- EQ: Indoor Air Quality Assessment
- EQ: Acoustic Performance

CERTIFICATIONS

GREENGUARD Gold Certified
FSC chain of custody veneers available
HPDs & EPDs – available upon request

METAL CEILINGS

BEAMS & BAFFLES
TAVOLA™ LEVELS

COLORS & FINISHES

Hunter Douglas offers a wide choice of colors and finishes. Some colors and finishes carry a premium price over manufacturer's standard colors. Custom color matching is available upon request. Please contact Hunter Douglas at 800-366-4327 for minimum quantities and lead times. To request samples, contact us at ceiling.samples@hunterdouglas.com. See website for the most up to date information. Colors are for illustration purposes only.

STANDARD PAINT COLORS



Natural 7163
Cotton White 0280

CUSTOM COLORS

Premium custom colors.



Custom

WHITE FINISH OPTIONS

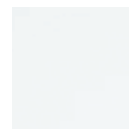
Powder-coat paint finish for Arctic White #1015P (Gloss 10-20); Crystalline White #1050P (Gloss 45-55); Supernova White #1085P (Gloss 80-90)



Arctic White 1015P
Crystalline White 1050P
Supernova White 1085P

PERFORMANCE WHITE PAINT FINISH

Powder-coat paint finish offering LRV 96; non-glare, 3% low gloss finish. Certified by: Applied Technical Services, Inc. Test Report No. D233185. Test reports available by request.



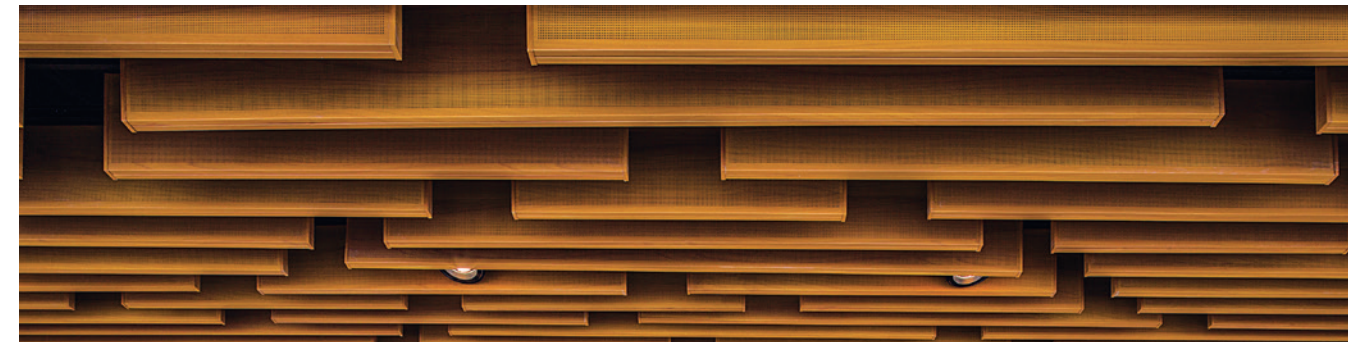
Performance White 9603P

BLACK FINISH OPTIONS

Powder-coat paint finish for Starless Black #5000P (Matte); Raven Black #5030P (Gloss 25-35); Sable Black #5060P (Gloss 65-75); Wet Glass Black #5095P (Gloss 90-95)



Starless Black 5000P
Raven Black 5030P
Sable Black 5060P
Wet Glass Black 5095P



STANDARD WOOD VENEER OPTIONS

Real wood veneer (interior only). Formaldehyde-free, Class A composite panel. Non-perforated only. Note: This is a small subset of veneers available. Please contact Hunter Douglas for client-specific species and stains.



White Oak (Rift) 9003
Douglas Fir (VG) 9005
Cherry (Flat) 9013
Walnut (Flat) 9114
Anigre (Qtr) 9122
Maple (Flat) 9427

DECORATED WOOD-LOOK OPTIONS

Powder-coat paint finish (interior and exterior). Formaldehyde-free, Class A composite panel. This finish is recommended for exterior conditions.



LAMINATED (FILM) WOOD FINISHES

Film (interior only). Formaldehyde-free, Class A composite panel. Minimums apply.



American Natural 8000
Russian Maple 8003
Hayward Cherry 8005
Caramel Bamboo 8030
Straight Larch 8104
Northern Walnut 8105
Eastern Black Walnut 8106
Chatham Oak 8107