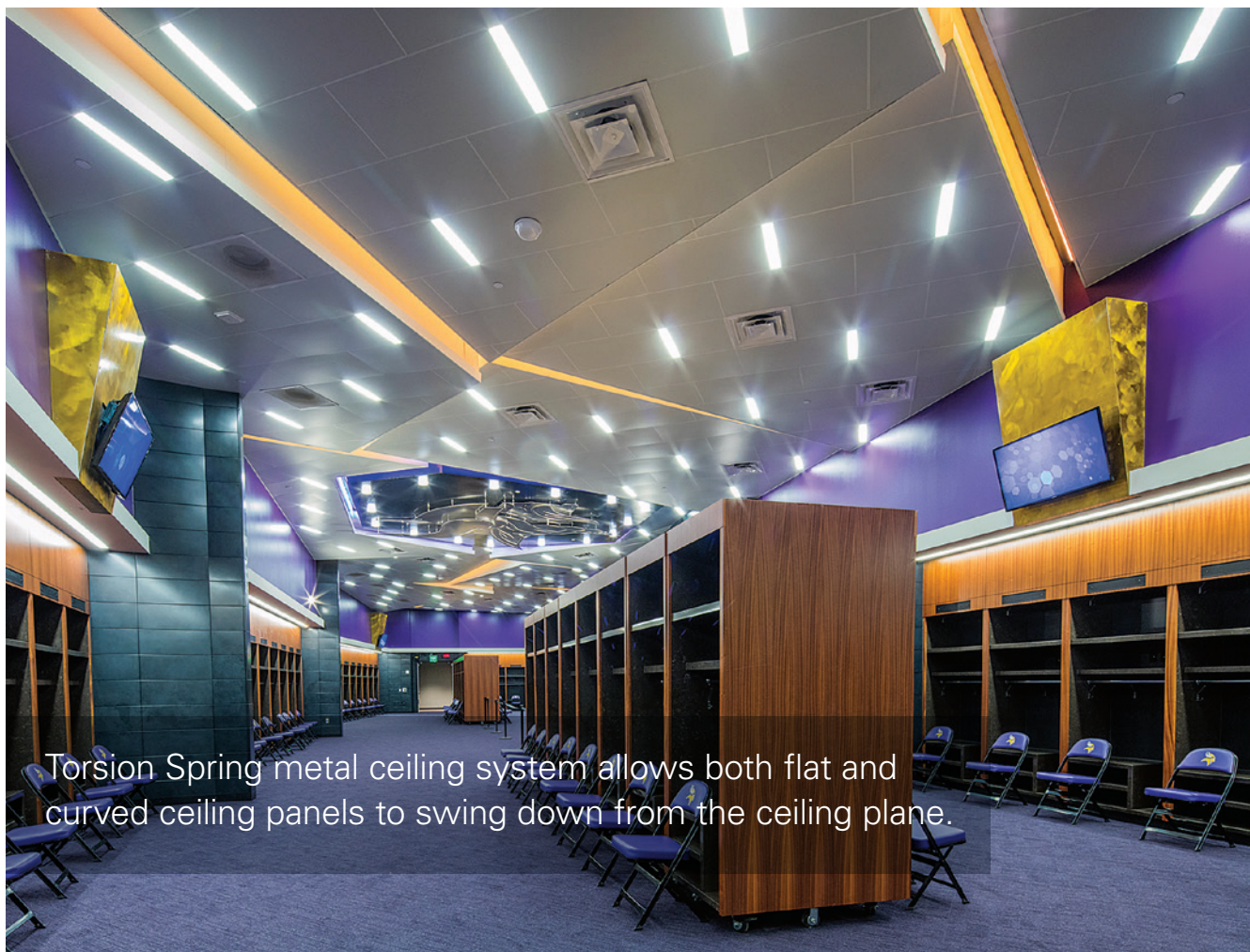


METAL CEILINGS

PLANK & TILE
TORSION SPRING



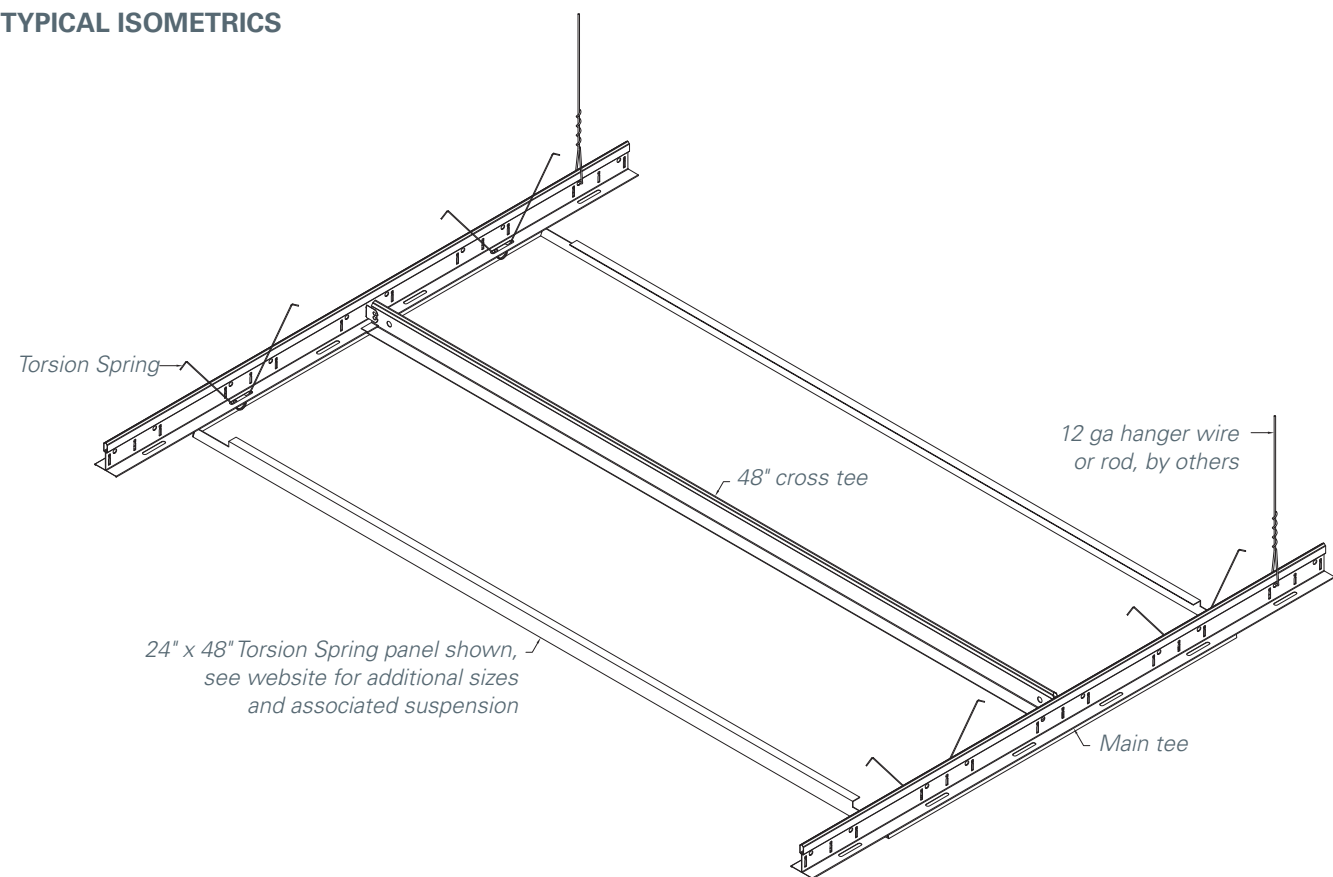
Torsion Spring metal ceiling system allows both flat and curved ceiling panels to swing down from the ceiling plane.

Project: Minnesota Vikings – US Bank Stadium, Minneapolis, MN; Torsion Spring Photo credit: Bob Perzel

KEY FEATURES

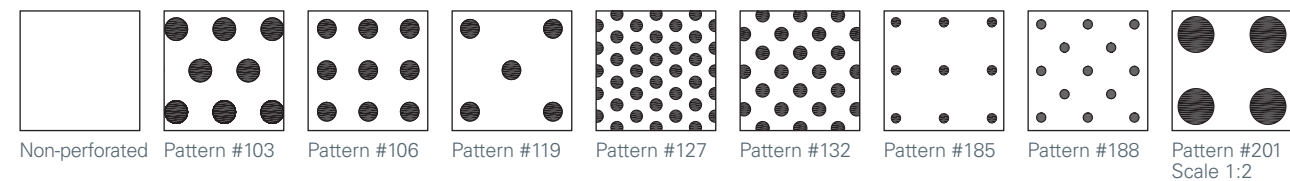
- Two panel size sets:
 - 6" to 36" width up to 120" long
 - 48" width up to 48" long
- Swing-down feature allows point-access and 100% access to plenum
- Square-edge design
- Waste reduction with factory fabricated dimensional material
- Downweight: reduce dead load with lightweight aluminum
- Interior and exterior applications
- Compatible with industry standard lighting, HVAC, speaker, fire safety, and security services

TYPICAL ISOMETRICS



PERFORATION PATTERNS

Standard patterns shown. See page 238 to see all perforation patterns. Scale shown: 1:1, unless otherwise noted.



PHYSICAL DATA

Substrate: Aluminum
Warranty: 1 year
Seismic rating: Zones A,B,C,D,E,F
Fire rating: Class A Fire Rated per ASTM E84
 – Painted or anodized metal: Flame spread: ≤ 25, Smoke ≤ 50
 – Film on metal: Flame spread: ≤ 25, Smoke ≤ 50
 – Wood veneer on metal: Flame spread: ≤ 25, Smoke ≤ 55 (for interior applications)
Weight: Varies 1.0 – 1.6 lbs./sq.ft.
Wind load: Per code (for exterior applications)
Recycled content: Up to 85%
Light reflectance (LR) Coefficient per ASTM E1264 & ASTM E1477:
 – Varies with finish
 – Cotton White: LR = 0.81
Acoustical ratings – NRC: See page 240

BIM

REVIT files available for BIM contributions, see website for details.

LEED V4 CREDITS

EA: Optimize Energy Performance
 MR: Building Product Disclosure
 EQ: Low-Emitting Materials
 EQ: Indoor Air Quality Assessment
 EQ: Daylight
 EQ: Acoustic Performance

CERTIFICATIONS

GREENGUARD Gold Certified
 FSC chain of custody veneers available
 HPDs & EPDs – available upon request

METAL CEILINGS

PLANK & TILE
TORSION SPRING

COLORS & FINISHES

Hunter Douglas offers a wide choice of colors and finishes. Some colors and finishes carry a premium price over manufacturer's standard colors. Custom color matching is available upon request. Please contact Hunter Douglas at 800-366-4327 for minimum quantities and lead times. To request samples, contact us at ceiling.samples@hunterdouglas.com. See website for the most up to date information. Colors are for illustration purposes only.

STANDARD PAINT COLORS



Natural 7163
Cotton White 0280
Atlantic Grey 1117

CUSTOM COLORS

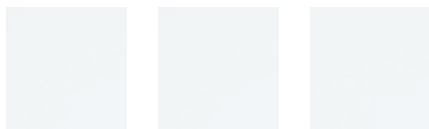
Premium custom colors.



Custom

WHITE FINISH OPTIONS

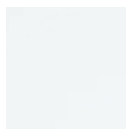
Powder-coat paint finish for Arctic White #1015P (Gloss 10-20); Crystalline White #1050P (Gloss 45-55); Supernova White #1085P (Gloss 80-90)



Arctic White 1015P
Crystalline White 1050P
Supernova White 1085P

PERFORMANCE WHITE PAINT FINISH

Powder-coat paint finish offering LRV 96; non-glare, 3% low gloss finish. Certified by: Applied Technical Services, Inc. Test Report No. D233185. Test reports available by request.



Performance White 9603P

ANODIZED FINISH



Satin Anodized 0010

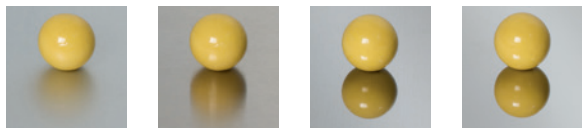
STANDARD METALLIC



Brushed Aluminum 0004

STAINLESS STEEL OPTIONS

Object shows reflectivity of finish.



2B Satin 7772C
#4 Brushed 7774C
BA Bright 7776C
#8 Mirror 7778C

BLACK FINISH OPTIONS

Powder-coat paint finish for Starless Black #5000P (Matte); Raven Black #5030P (Gloss 25-35); Sable Black #5060P (Gloss 65-75); Wet Glass Black #5095P (Gloss 90-95)



Starless Black 5000P
Raven Black 5030P
Sable Black 5060P
Wet Glass Black 5095P



STANDARD WOOD VENEER OPTIONS

Real wood veneer (interior only). Formaldehyde-free, Class A composite panel. Note: This is a small subset of veneers available. Please contact Hunter Douglas for client-specific species and stains.



White Oak (Rift) 9003
Douglas Fir (VG) 9005
Cherry (Flat) 9013
Walnut (Flat) 9114
Anigre (Qtr) 9122
Maple (Flat) 9427

DECORATED WOOD-LOOK OPTIONS

Powder-coat paint finish (interior and exterior). Formaldehyde-free, Class A composite panel. This finish is recommended for exterior conditions.



COIL-COATED WOOD-LOOK OPTIONS

Polyester coil-coated painted finish (interior and exterior). Formaldehyde-free, Class A composite panel. Minimums apply.



Chaucer Maple 8947
Columbia Cherry 8950
Celtic Walnut 8956

LAMINATED (FILM) WOOD FINISHES

Film (interior only). Formaldehyde-free, Class A composite panel. Minimums apply.



American Natural 8000
Russian Maple 8003
Hayward Cherry 8005
Caramel Bamboo 8030
Straight Larch 8104
Northern Walnut 8105
Eastern Black Walnut 8106
Chatham Oak 8107