

SUBMITTAL SHEET

84R & 84G

Project Name _____

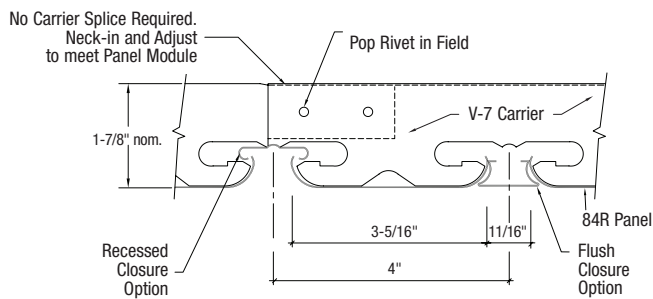
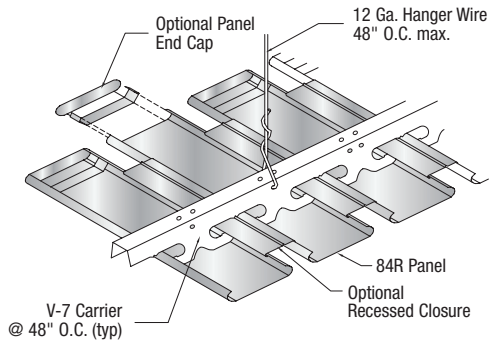
Specification Section _____

Ceiling Type _____

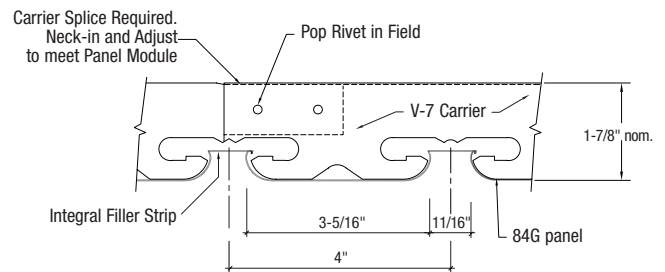
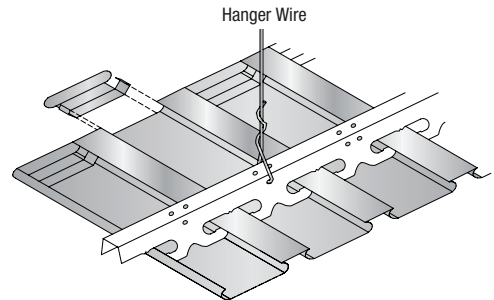
Return Form To Hunter Douglas

E-mail: ceilings@hunterdouglas.com

Fax: 770-806-0214



84R with V7 Carrier Isometric



84G with V7 Carrier Isometric

SUBSTRATE: ALUMINUM	<input type="checkbox"/> 84R	<input type="checkbox"/> .020"	<input type="checkbox"/> .025"	<input type="checkbox"/> .032"
	<input type="checkbox"/> 84G		<input type="checkbox"/> .025"	
COLOR/FINISH	<input type="checkbox"/> Cotton White – #0280	<input type="checkbox"/> Natural – #7163	<input type="checkbox"/> Other _____	
FILLER STRIP (84R only)	<input type="checkbox"/> None	<input type="checkbox"/> Recessed	<input type="checkbox"/> Flush	
INTEGRAL FILLER STRIP (84G only)	<input type="checkbox"/> Matte Black – #1883	<input type="checkbox"/> Matching Color		
COLOR/FINISH (Filler Strip)	<input type="checkbox"/> Cotton White – #0280	<input type="checkbox"/> Matte Black – #1883	<input type="checkbox"/> Other _____	
PERFORATION PATTERN	84G	<input type="checkbox"/> Non-Perforated		
	84R	<input type="checkbox"/> Non-Perforated	<input type="checkbox"/> #124	<input type="checkbox"/> #140
ACOUSTICAL BACKER	<input type="checkbox"/> Non-Woven – Black (Interior use for perforated material only)			
ACOUSTICAL RATING	<input type="checkbox"/> (NRC) _____			
TRIM	<input type="checkbox"/> Wall Angle	<input type="checkbox"/> J Trim		
	<input type="checkbox"/> Floating	<input type="checkbox"/> End Caps		
EXPOSURE	<input type="checkbox"/> Interior <input type="checkbox"/> Exterior (specify design wind pressure) _____ PSF			
SHOP DRAWINGS ATTACHED?	<input type="checkbox"/> Yes <input type="checkbox"/> No			

To Contact Us:

5015 Oakbrook Parkway, Suite 100

Norcross, GA 30093

phone: 800.366.4327

fax: 770.806.0214

www.hunterdouglascontract.com/ceilings

HunterDouglasContract

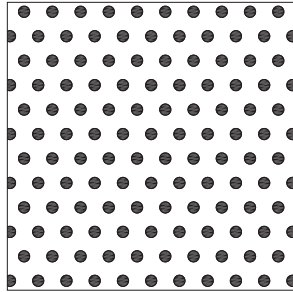
CEILINGS

SUBMITTAL SHEET 84R & 84G

PERFORATIONS

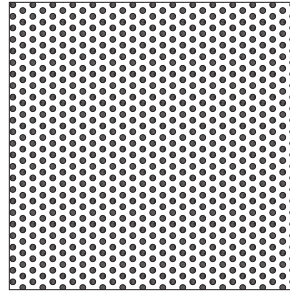
Perforated panels improve acoustical performance as well as create aesthetic effects.

#124



Perforation diam: .078 in.
Open area: 15%
(84R only)

#140



Perforation diam: .040 in.
Open area: 23%
(84R only)

SOUND ABSORPTION (NRC) SUMMARY*

Sound absorption can be achieved by the addition of backing ceiling panels with acoustical fabric or pad.

Perforation Pattern	% Open Area	Acoustical Infill	NRC
#124	15%	1.5" - 1.5 pcf Polywrapped Fiberglass	1.00
#140	23%	1" - 1.5 pcf Mineral Wool Pad & Non-Woven Acoustic	0.85
Non Perforated Panel without Filler Strip		1.5" - 1.5 pcf Polywrapped Fiberglass	0.70

* Acoustical tests performed in accordance with ASTM C423 and ASTM E795, in a type E400 mounting. Test reports available upon request.

TESTING RESULTS

Surface Burning Class A (ASTM E84)
Flame \leq 25
Smoke \leq 50

Light Reflectance LR1
(White)

Stability under humidity Yes

IAQ Friendly Yes – Mold & Mildew Resistant

VOCs No

Fiber Content No

Moisture Resistance Excellent

Life Cycle Excellent

SUSTAINABILITY

Hunter Douglas aluminum ceilings are manufactured from material with a minimum of 70% recycled content

- 40% is post-consumer
- 30% is pre-consumer

