

# SUBMITTAL SHEET

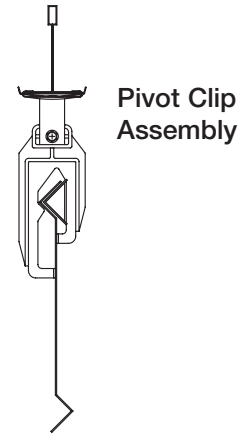
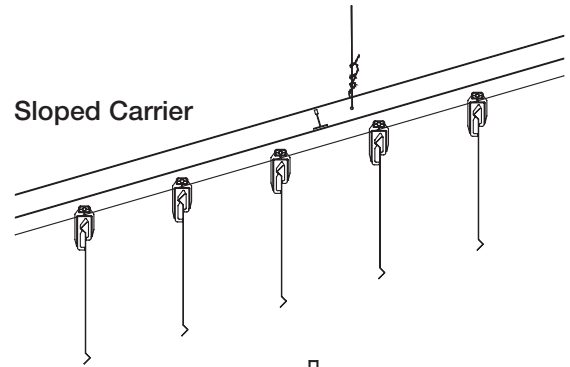
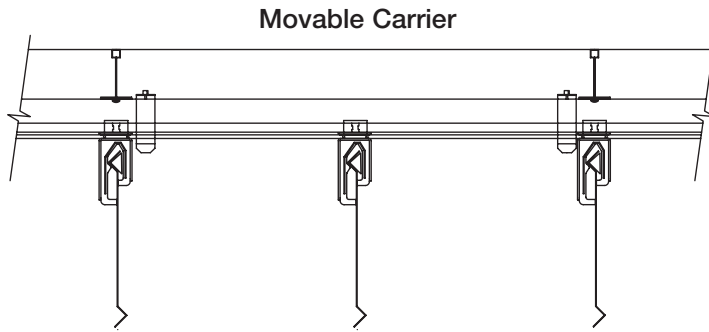
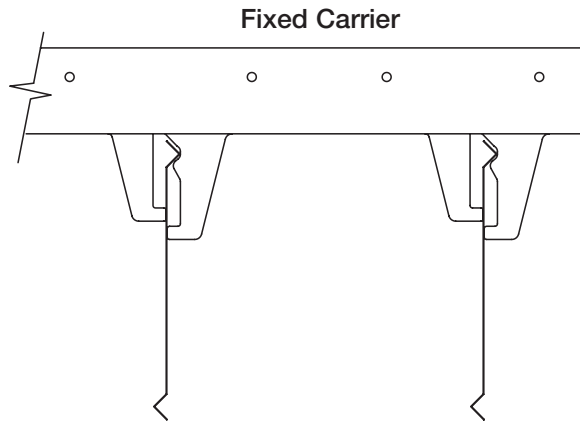
## SCREEN/BAFFLE

Project Name \_\_\_\_\_

Specification Section \_\_\_\_\_

Ceiling Type \_\_\_\_\_

**Return Form To Hunter Douglas**  
**E-mail: ceilings@hunterdouglas.com**  
**Fax: 770-806-0214**



<b>SUBSTRATE</b>	<input type="checkbox"/> .025" Aluminum		
<b>PANEL SIZE</b>	<input type="checkbox"/> V100 (4")	<input type="checkbox"/> V150 (6")	<input type="checkbox"/> V200 (8") (If multiple, select all that apply)
<b>PANEL SPACING</b>	<input type="checkbox"/> 4"	<input type="checkbox"/> 6"	<input type="checkbox"/> 8"
<b>COLOR/FINISH (Panel)</b>	<input type="checkbox"/> Cotton White-#0280	<input type="checkbox"/> Natural-#7163	<input type="checkbox"/> Other _____
<b>COLOR/FINISH (1" Dia. Panel Bulb)</b>	<input type="checkbox"/> No	<input type="checkbox"/> Yes	<input type="checkbox"/> Cotton White-#0280 <input type="checkbox"/> Natural-#7163 <input type="checkbox"/> Other _____
<b>CARRIER SYSTEM</b>	<input type="checkbox"/> Standard - Fixed	<input type="checkbox"/> Sloped	<input type="checkbox"/> Movable <input type="checkbox"/> Pivot Clip (T-Grid)
<b>EXPOSURE</b>	<input type="checkbox"/> Interior		
<b>SHOP DRAWINGS ATTACHED?</b>	<input type="checkbox"/> Yes <input type="checkbox"/> No		

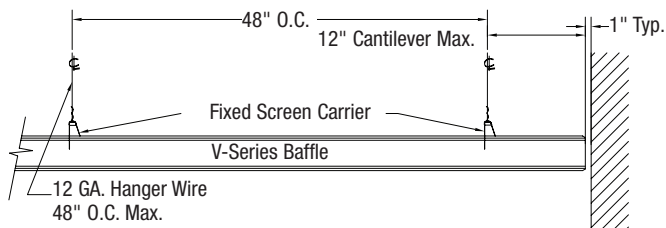
**To Contact Us:**  
 5015 Oakbrook Parkway, Suite 100  
 Norcross, GA 30093  
 phone: 800.366.4327  
 fax: 770.806.0214  
 www.hunterdouglascontract.com/ceilings

**HunterDouglasContract**

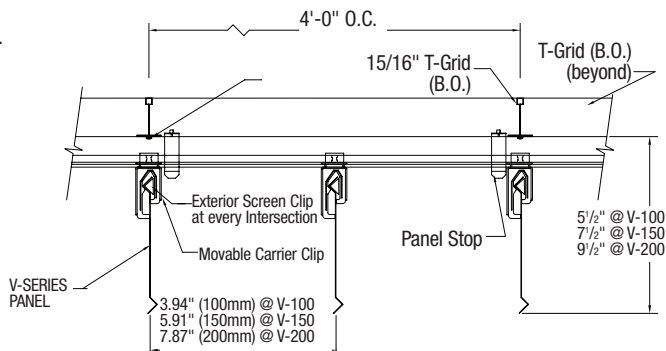
CEILINGS

# SUBMITTAL SHEET SCREEN/BAFFLE

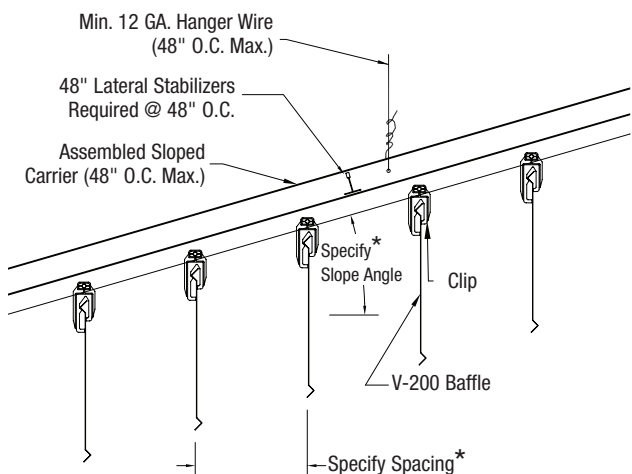
## V-Series – Fixed Carrier



## Movable Carrier

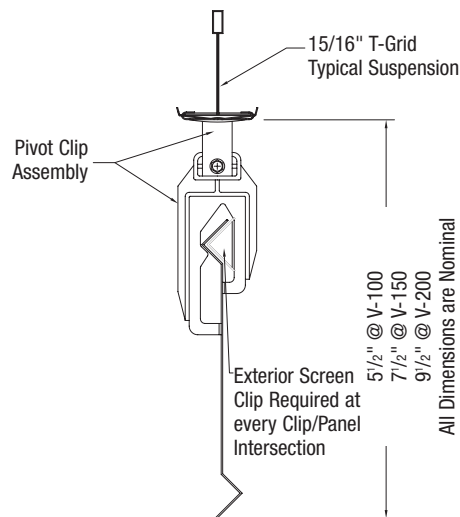


## Assembled Sloped Carrier



Note:  
The specified slope will determine the actual "Punch" spacing in the sloped carrier. This "Punch" spacing dimension will allow the baffle blades to hang plumb and still have the specified "spacing" between the blades.

## Pivot Clip Assembly



## TESTING RESULTS

**Surface Burning** ..... Class A (ASTM E84)  
Flame  $\leq$  25  
Smoke  $\leq$  50

**Light Reflectance** ..... LR1  
(White)

**Stability under humidity** ..... Yes

**IAQ Friendly** ..... Yes – Mold & Mildew Resistant

**VOCs** ..... No

**Fiber Content** ..... No

**Moisture Resistance** ..... Excellent

**Life Cycle** ..... Excellent

## SUSTAINABILITY

Hunter Douglas aluminum ceilings are manufactured from material with a minimum of 70% recycled content

- 40% is post-consumer
- 30% is pre-consumer

