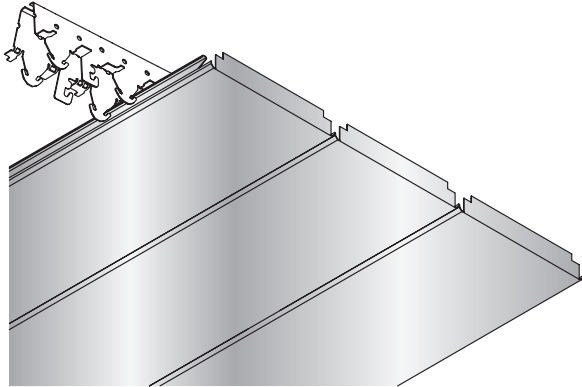


SUBMITTAL SHEET

300C



300C PANEL MODULE

Project Name _____

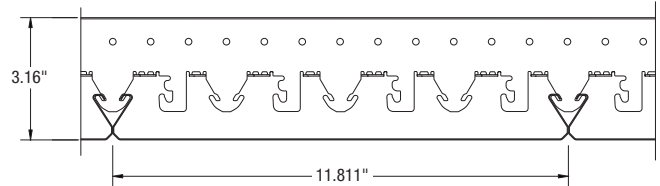
Specification Section _____

Ceiling Type _____

Return Form To Hunter Douglas

E-mail: ceilings@hunterdouglas.com

Fax: 770-806-0214



300C Section

SUBSTRATE	.028" Aluminum		
PANEL TYPE	300C		
COLOR/FINISH	<input type="checkbox"/> Cotton White – #0280	<input type="checkbox"/> Luxacote Lighthouse White – #0401	<input type="checkbox"/> Decorated _____
	<input type="checkbox"/> Natural – #7163	<input type="checkbox"/> Luxacote Natural – #7080	<input type="checkbox"/> Other _____
PERFORATION PATTERN	<input type="checkbox"/> #124	<input type="checkbox"/> #160	<input type="checkbox"/> Non-Perforated
ACOUSTICAL BACKER	<input type="checkbox"/> Non-Woven – Black (Interior use for perforated material only)		
ACOUSTICAL RATING	<input type="checkbox"/> (NRC) _____		
TRIM	<input type="checkbox"/> Wall Angle	<input type="checkbox"/> J Trim	<input type="checkbox"/> Other _____
EXPOSURE	<input type="checkbox"/> Interior		
	<input type="checkbox"/> Exterior (Specify design wind pressure) _____ PSF		
SHOP DRAWINGS ATTACHED?	<input type="checkbox"/> Yes	<input type="checkbox"/> No	

To Contact Us:
5015 Oakbrook Parkway, Suite 100
Norcross, GA 30093
phone: 800.366.4327
fax: 770.806.0214
www.hunterdouglascontract.com/ceilings

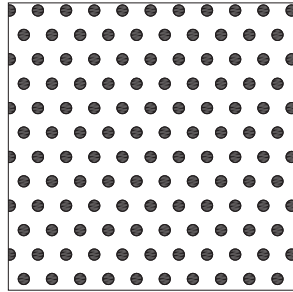
HunterDouglasContract

CEILINGS

PERFORATIONS

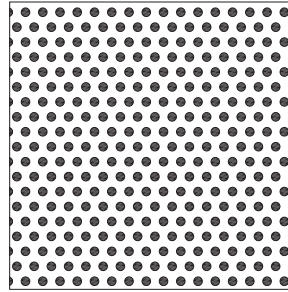
Perforated panels improve acoustical performance as well as create aesthetic effects.

#124



Perforation diam: .078 in.
Open area: 15%

#160



Perforation diam: .060 in.
Open area: 23%

SOUND ABSORPTION (NRC) SUMMARY*

Sound absorption can be achieved by the addition of backing ceiling panels with acoustical fabric or pad.

Perforation Pattern	% Open Area	Acoustical Infill	NRC
#124	15%	Non-Woven Acoustic	0.75
#160	23%	Non-Woven Acoustic	0.70
		1" - 1 pcf Polywrapped Fiberglass & Non-Woven Acoustic	0.95

* Acoustical tests performed in accordance with ASTM C423 and ASTM E795, in a type E400 mounting. Test reports available upon request.

TESTING RESULTS

Surface Burning Class A (ASTM E84)
Flame \leq 25
Smoke \leq 50

Light Reflectance LR1
(White)

Stability under humidity Yes

IAQ Friendly Yes – Mold & Mildew Resistant

VOCs No

Fiber Content No

Moisture Resistance Excellent

Life Cycle Excellent

SUSTAINABILITY

Hunter Douglas aluminum ceilings are manufactured from material with a minimum of 70% recycled content

- 40% is post-consumer
- 30% is pre-consumer

