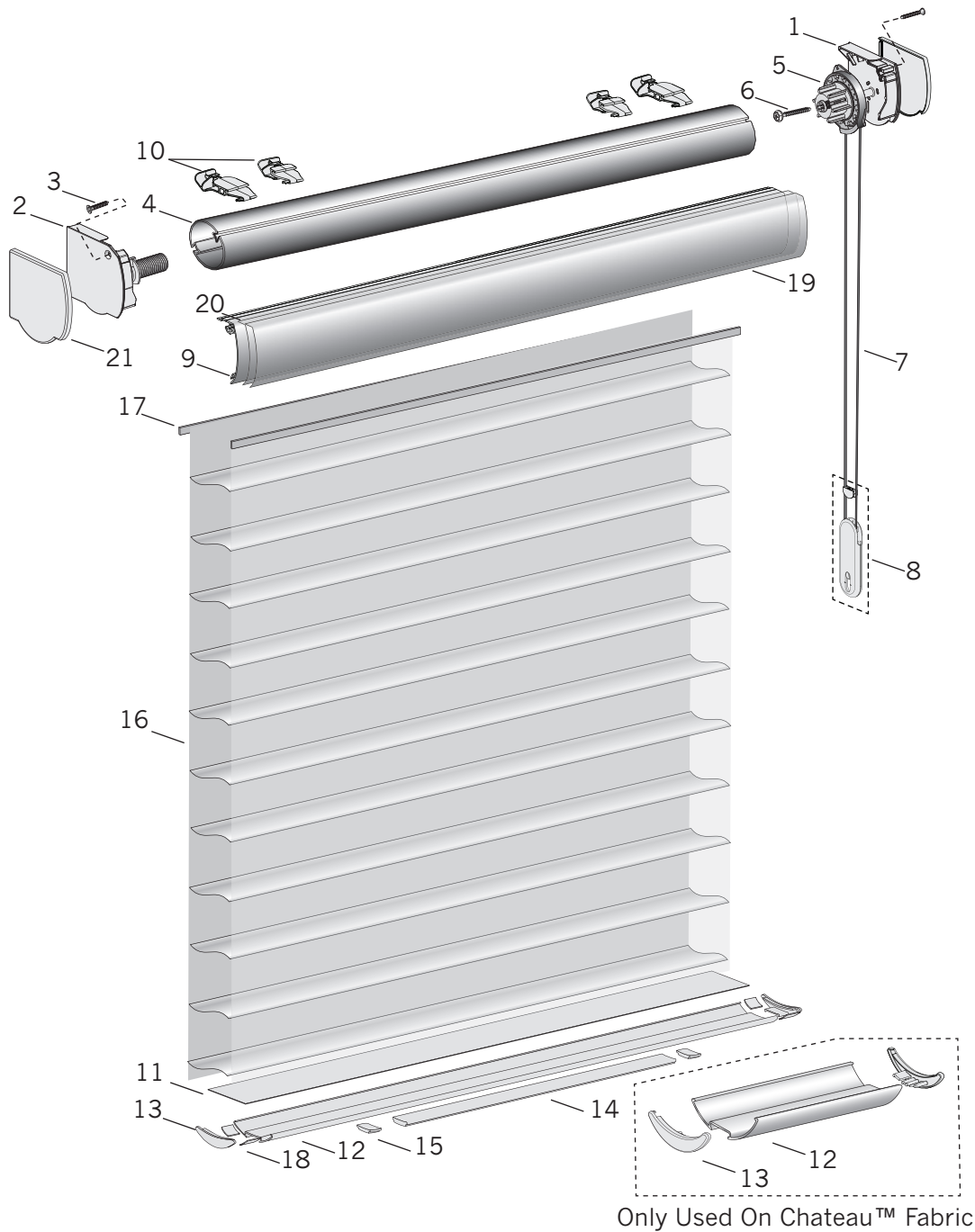


Classic Single



Standard Parts

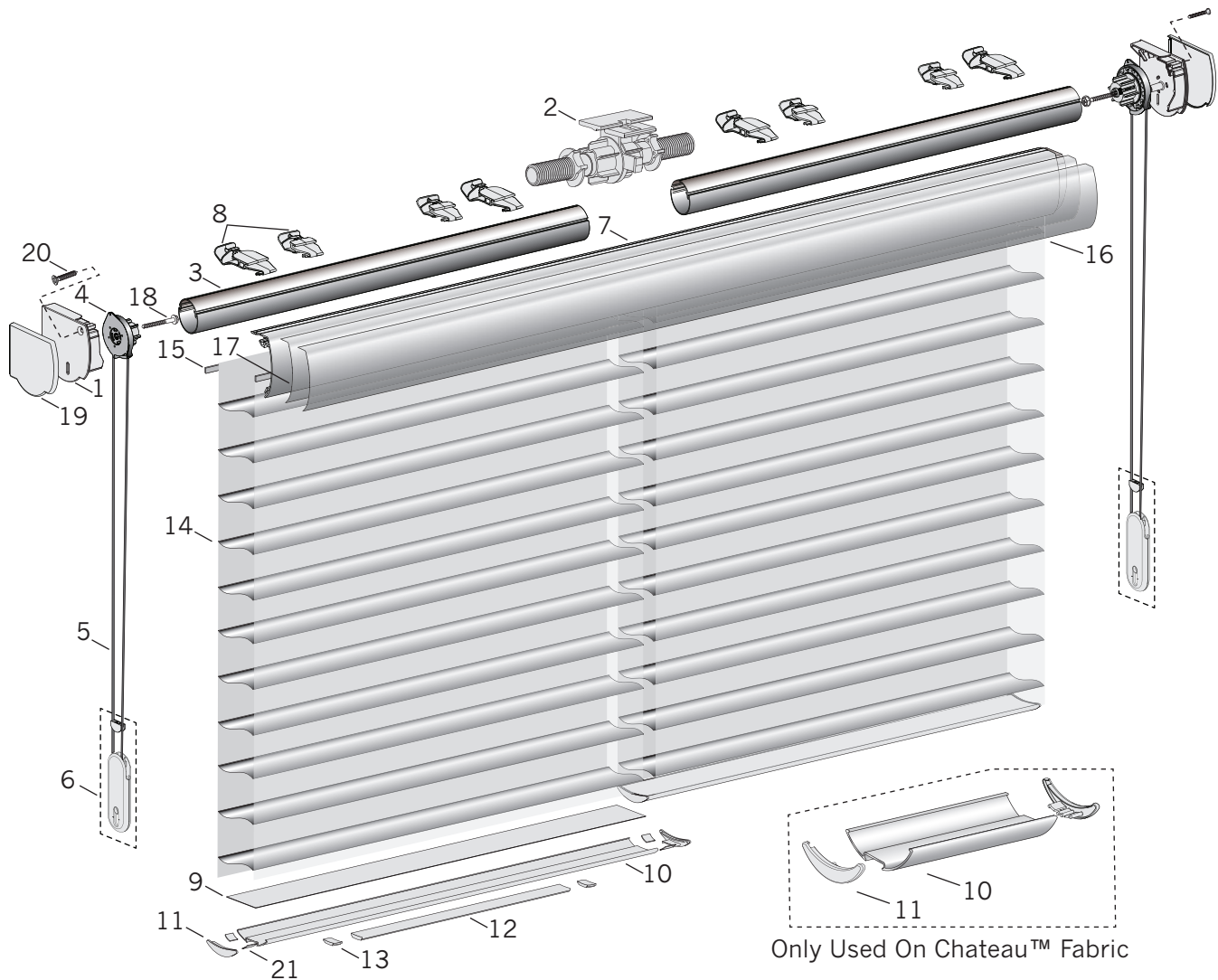
- | | | |
|--|-----------------------------|---------------------------|
| 1. Headrail End Plate | 7. Cord Loop | 15. Weight Clips |
| 2. Idler Assembly | 8. Universal Cord Tensioner | 16. Fabric |
| 3. Screw, FLH PHH #8-18 x 0.75" | 9. Headrail, Fabric Covered | 17. Polystrip With Tape |
| 4. Rotator Rail, 0.050 LW, Universal | 10. SU Std. Top Limit | 18. SU Steel Insert Strip |
| 5. RB Clutch ER | 11. Bottom Slat | 19. FCH Fabric |
| 6. Screw (Clutch), #10 X 1 3/8" SHWH Zinc-Plated | 12. Bottom Rail | 20. Full Width Tape |
| | 13. Bottom Rail End Caps | 21. Cover Set |
| | 14. Balance Weight | |

Classic Single

No.	PCN	Description
1.	Headrail End Plate	
	4170819000	RH
	4170820000	LH
2.	Idler Assembly	
	4170439000	RH
	4170440000	LH
3.	4174707000	Screw, FLH PHH #8-18 x 0.75"
4.	4150054xxx	Rotator Rail, 0.050 LW, Universal
5.	4150444000	RB Clutch ER
6.	4150159000	Screw (Clutch), #10 X 1 3/8" SHWH Zinc-Plated
7.	Cord Loop	
	4199010xxx	1'
	4199020xxx	2'
	4199030xxx	3'
	4199040xxx	4'
	4199050xxx	5'
	4199060xxx	6'
8.	4150336xxx	Universal Cord Tensioner
9.	4170681xxx	Headrail, Fabric Covered
10.	Top Limit	
	4150057885	SU Std.
	4140126000	XL (Only Used On Chateau™ Fabric Shadings)
11.	N/A	Bottom Slat
12.	Bottom Rail	
	4150128xxx	Classic – All Fabrics Except Chateau
	4150951xxx	3" – For Chateau Fabrics Only
13.	Bottom Rail End Caps	
	4150084xxx	Classic – All Fabrics Except Chateau
	4170950xxx	3" – For Chateau Fabrics Only
14.	4150082xxx	Balance Weight
15.	4150083xxx	Weight Clips
16.	N/A	Fabric
17.	4150288785	Polystrip With Tape
18.	SU Steel Insert Strip	
	4150600000	Short
	4140601000	XL, Long – For Chateau Fabrics Only
NOTE: For 3" Chateau bottom rail, use one short and one long steel insert strip on each side.		
19.	N/A	FCH Fabric
20.	Full Width Tape	
	4150153500	SU FW Tape, 3.219" X 320 Yards
	4150155500	NAN FW Tape, 3.219" X 60 Yards
21.	4170666xxx	Cover Set

xxx = 3 Digit Color Code

Classic Two-On-One



Standard Parts

- | | | |
|--------------------------------------|---|---|
| 1. Headrail End Plate | 9. Bottom Slat | 17. Full Width Tape |
| 2. URR Dual Rotator Assembly | 10. Bottom Rail | 18. Screw (Clutch), #10 X 1 3/8" SHWH Zinc Plated |
| 3. Rotator Rail, 0.050 LW, Universal | 11. Bottom Rail End Cap | 19. Cover Set |
| 4. Clutch Assembly | 12. Bottom Rail Weight (Balance Weight) | 20. Screw, FLH PHH #8-18 X 0.75" |
| 5. Cord Loop | 13. Weight Clip | 21. SU Steel Insert Strip |
| 6. Universal Cord Tensioner | 14. Fabric | |
| 7. Headrail, Fabric Covered | 15. Polystrip With Tape | |
| 8. SU Std. Top Limit | 16. FCH Fabric | |

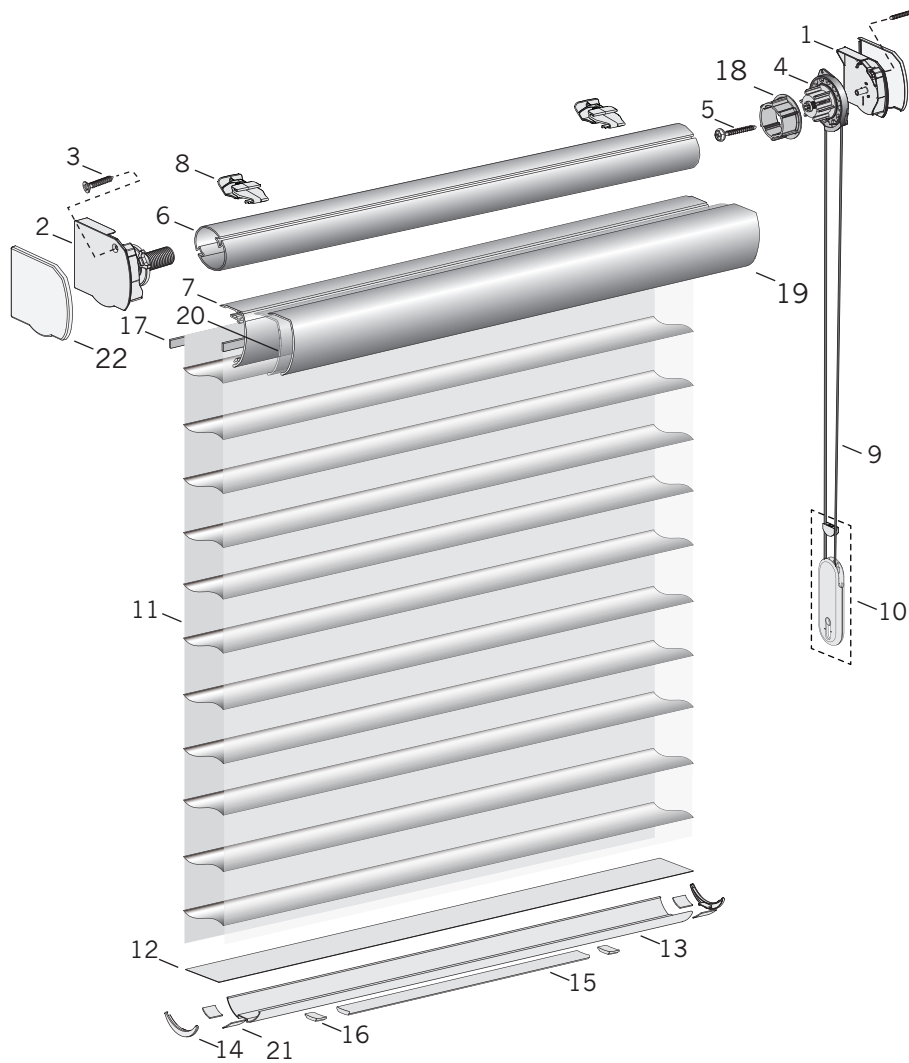
Classic Two-On-One

No.	PCN	Description
1.		Headrail End Plate
	4170819000	RH
	4170820000	LH
2.	4158207000	URR Dual Rotator Assembly
3.	4150054xxx	Rotator Rail, 0.050 LW, Universal
4.	4150444000	Clutch Assembly
5.		Cord Loop
	4199010xxx	1'
	4199020xxx	2'
	4199030xxx	3'
	4199040xxx	4'
	4199050xxx	5'
	4199060xxx	6'
6.	4150336xxx	Universal Cord Tensioner
7.	4170681xxx	Headrail, Fabric Covered
8.		Top Limit
	4150057885	SU Std. Top Limit
	4140126000	Top Limit Assembly – XL (Only Used On Chateau™ Fabric Shadings)
9.	N/A	Bottom Slat
10.		Bottom Rail
	4150128xxx	Classic – All Fabrics Except Chateau™
	4150951xxx	3" – For Chateau Fabrics Only
11.		Bottom Rail End Caps
	4150084xxx	Classic – All Fabrics Except Chateau
	4170950xxx	3" – For Chateau Fabrics Only
12.	4150082xxx	Bottom Rail Weight (Balance Weight)
13.	4150083xxx	Weight Clip
14.	N/A	Fabric
15.	4150288785	Polystrip With Tape
16.	N/A	FCH Fabric
17.		Full Width Tape
	4150153500	SU FW Tape, 3.219" X 240 Yards
	4150155500	NAN FW Tape, 3.219" X 60 Yards
18.	4150159000	Screw (Clutch), #10 X 1 3/8" SHWH Zinc Plated
19.	9170666xxx	Cover Set
20.	4174707000	Screw, FLH PHH #8-18 X 0.75"
21.		SU Steel Insert Strip
	4150600000	Short
	4140601000	XL, Long – For Chateau Fabrics Only

NOTE: For 3" Chateau bottom rail, use one short and one long steel insert strip on each side.

xxx = 3 Digit Color Code

Quartette®



Standard Parts

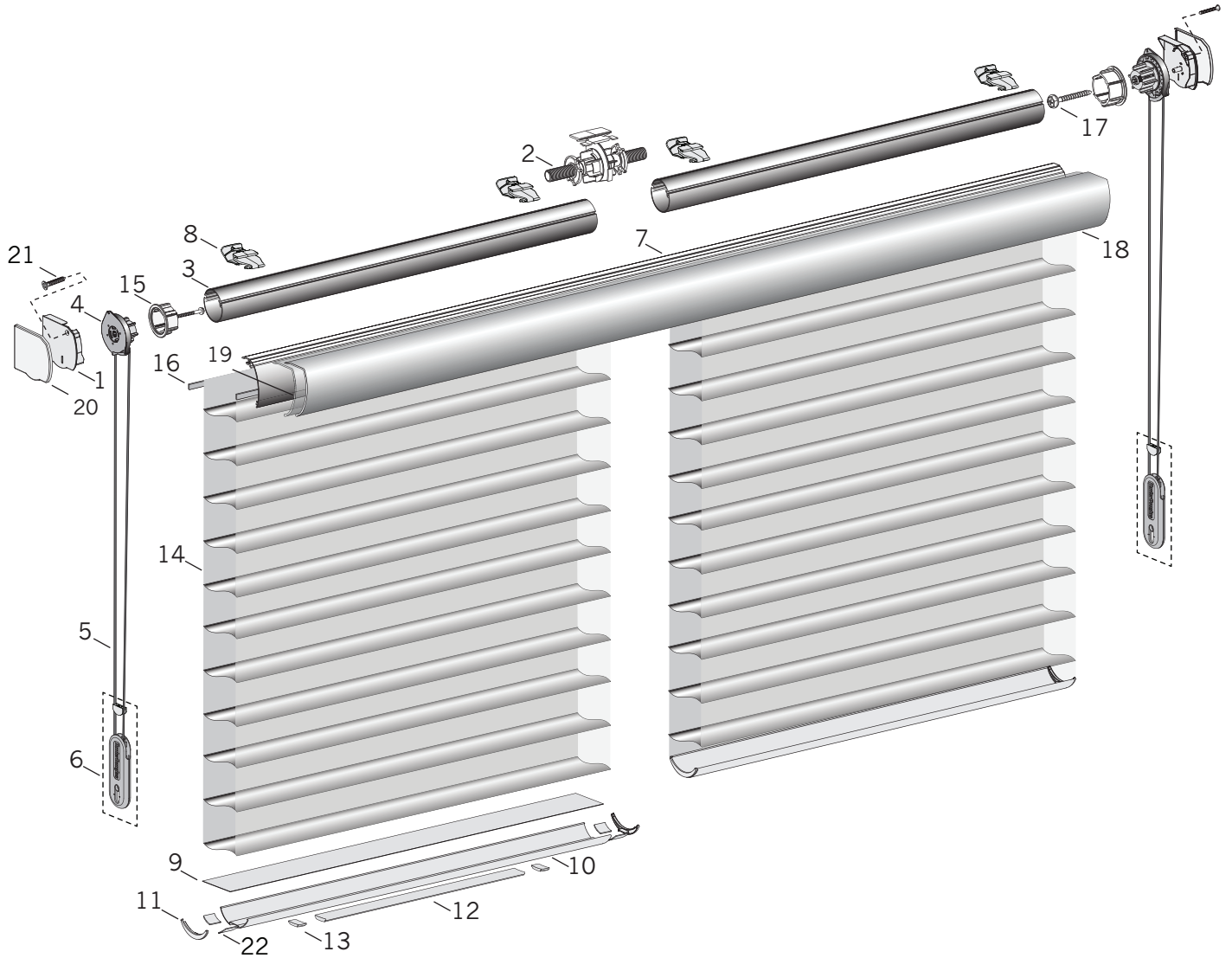
- | | | |
|---|-------------------------------|------------------------------------|
| 1. Headrail End Plate – XL | 7. Headrail – XL | 15. Balance Weight |
| 2. Idler Assembly – XL | 8. Top Limit Assembly – XL | 16. Weight Clips |
| 3. Screw, FLH PHH #8-18 X 0.75" | 9. Cord Loop (Standard Sizes) | 17. Polystrip With Tape |
| 4. Clutch Assembly | 10. Universal Cord Tensioner | 18. Bushing – XL |
| 5. Screw, #10 x 1 3/8" SHWH Zinc-Plated | 11. Fabric | 19. FCH Fabric |
| 6. SU XL URR FCH Rotator Rail | 12. Bottom Slat | 20. Full Width Tape |
| | 13. Bottom Rail – XL | 21. SU XL Steel Insert Strip, Long |
| | 14. Bottom Rail End Caps – XL | 22. Cover Set – XL |

Quartette®

No.	PCN	Description
1.		Headrail End Plate – XL
	4140841000	RH
	4140842000	LH
2.		Idler Assembly – XL
	4140441000	RH
	4140442000	LH
3.	4174707000	Screw, FLH PHH #8-18 X 0.75"
4.	4140347000	Clutch Assembly
5.	4150159000	Screw, #10 x 1 3/8" SHWH Zinc-Plated
6.	4140128xxx	SU XL URR FCH Rotator Rail
7.	4140821661	Headrail – XL
8.	4140126000	Top Limit Assembly – XL
9.		Cord Loop (Standard Sizes)
	4199010xxx	1'
	4199020xxx	2'
	4199030xxx	3'
	4199040xxx	4'
	4199050xxx	5'
	4199060xxx	6'
10.	4150336xxx	Universal Cord Tensioner
11.	N/A	Fabric
12.	N/A	Bottom Slat
13.	4140129xxx	Bottom Rail – XL
14.	4140125xxx	Bottom Rail End Caps – XL
15.	4150082xxx	Balance Weight
16.	4150083xxx	Weight Clips
17.	4150288785	Polystrip With Tape
18.	4140123000	Bushing – XL
19.	N/A	FCH Fabric
20.		Full Width Tape
	4150153500	SU FW Tape, 3.219" X 320 Yards
	4150155500	NAN FW Tape, 3.219" X 60 Yards
21.	4140601000	SU XL Steel Insert Strip, Long
22.	4148482xxx	Cover Set – XL

xxx = 3 Digit Color Code

Quartette® Two-On-One



Standard Parts

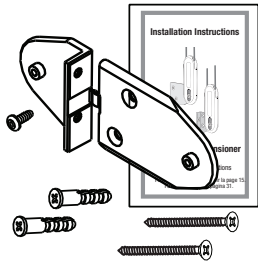
- | | | |
|---------------------------------|---|------------------------------------|
| 1. Headrail End Plate – XL | 9. Bottom Slat | 16. Polystrip With Tape |
| 2. Dual Rotator Assembly – XL | 10. Bottom Rail – XL | 17. Screw (Clutch), #10 X 1 3/8" |
| 3. SU XL URR FCH Rotator Rail | 11. Bottom Rail End Cap – XL | 18. FCH Fabric |
| 4. Clutch Assembly | 12. Bottom Rail Weight (Balance Weight) | 19. Full Width Tape |
| 5. Cord Loop | 13. Weight Clip | 20. Cover Set – XL |
| 6. Universal Cord Tensioner | 14. Fabric | 21. Screw, FLH PHH #8-18 X 0.75" |
| 7. Fabric Covered Headrail – XL | 15. Bushing – XL | 22. SU XL Steel Insert Strip, Long |
| 8. Top Limit – XL | | |

Quartette® Two-On-One

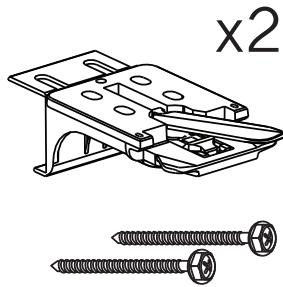
No.	PCN	Description
1.	Headrail End Plate – XL	
	4140841000	RH
	4140842000	LH
2.	4140449000	Dual Rotator Assembly – XL
3.	4140128xxx	SU XL URR FCH Rotator Rail
4.	4140347000	Clutch Assembly
5.	Cord Loop	
	4199010xxx	1'
	4199020xxx	2'
	4199030xxx	3'
	4199040xxx	4'
	4199050xxx	5'
	4199060xxx	6'
6.	4150336xxx	Universal Cord Tensioner
7.	4140821661	Fabric Covered Headrail – XL (Select Fabric Cover Color)
8.	4140126000	Top Limit – XL
9.	N/A	Bottom Slat
10.	4140129xxx	Bottom Rail – XL
11.	4140125xxx	Bottom Rail End Cap – XL
12.	4150082xxx	Bottom Rail Weight (Balance Weight)
13.	4150083xxx	Weight Clip
14.	N/A	Fabric
15.	4140123000	Bushing – XL
16.	4150288785	Polystrip With Tape
17.	4150159000	Screw (Clutch), #10 X 1 3/8"
18.	N/A	FCH Fabric
19.	Full Width Tape	
	4150153500	SU FW Tape, 3.219" X 320 Yards
	4150155500	NAN FW Tape, 3.219" X 60 Yards
20.	4148482xxx	Cover Set – XL
21.	4174707000	Screw, FLH PHH #8-18 X 0.75"
22.	4140601000	SU XL Steel Insert Strip, Long

xxx = 3 Digit Color Code

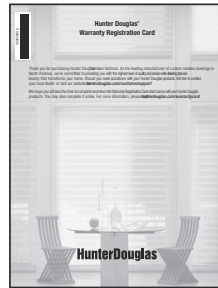
Standard Additional Hardware



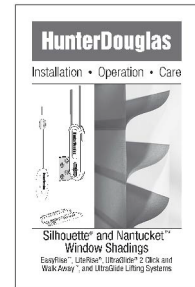
Kit UCT Install, Inside-Outside Bracket (Required for shade Operation)
KIT2350



Lever Installation Brackets
2 Pack KIT9109 (Shown)
3 Pack KIT9110

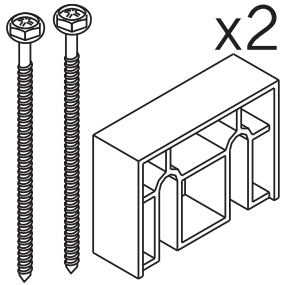


Hunter Douglas Warranty Registration Card
PCN 7109933000

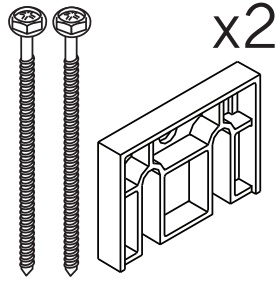


Silhouette and Nantucket EasyRise™ Lifting Systems
IOC
PCN 5107777000

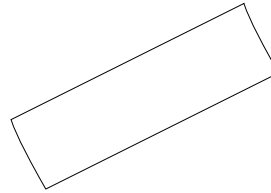
Optional Hardware



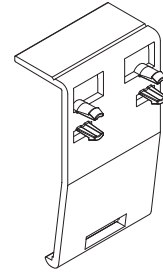
1/2" Spacer Block
2-Pack KIT2011
3-Pack KIT2012



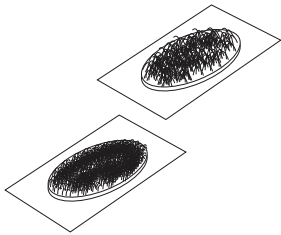
1/4" Spacer Block
2-Pack KIT9114
3-Pack KIT9115



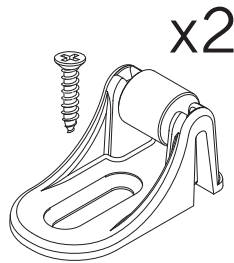
Back/Dust Cover
PCN 4150149000



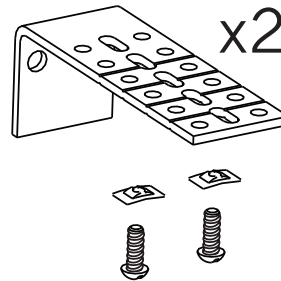
Back Cover Bracket
KIT9116 (2 Pack)
KIT9117 (3 Pack)



Silhouette Nantucket Dust
Cover Installation Kit
Loops PCN 4150077000
Hooks PCN 4150078000



Magnetic Hold-Down Bracket
Kit (contains two magnet
holddown brackets and two 3/4"
screws)
KIT9108



Extension Bracket
KIT2013 (2 Pack – Shown)
KIT2014 (3 Pack))



Magnetic Hold-Down Bracket
Retro-Fit Kit
KIT9111

x8



Mounting Screws #6X1.5
KIT2029