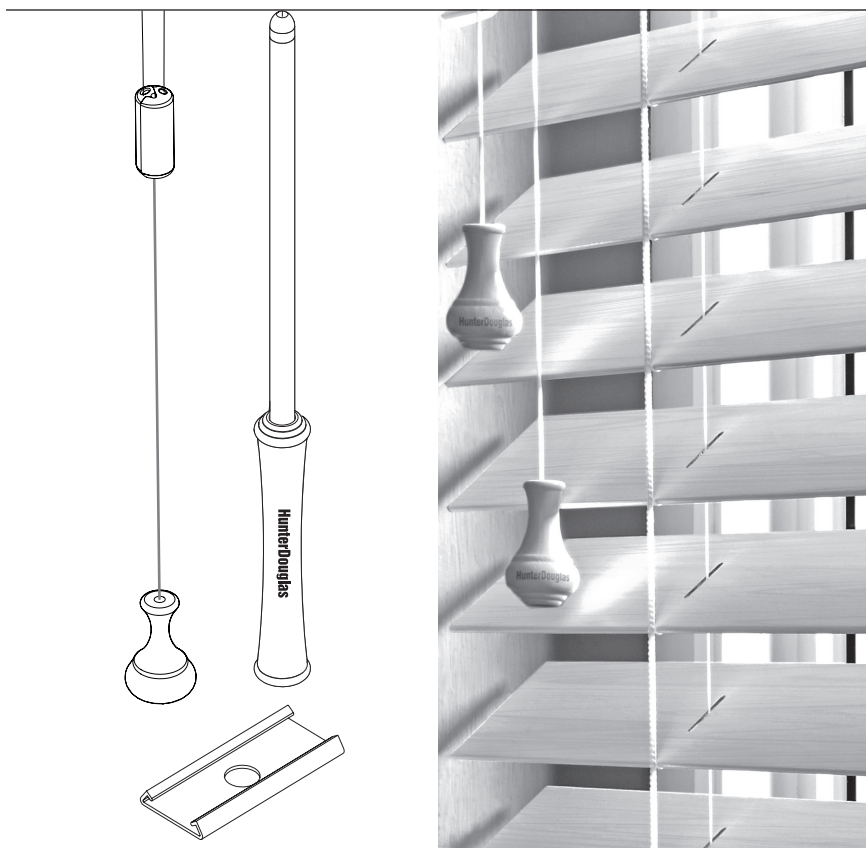


HunterDouglas

Installation • Operation • Care



Horizontal Blinds

Standard Hardware System

LiteRise® Operating System

UltraGlide® Operating System

CONTENTS

Getting Started:

Product View	1
Tools and Fasteners Needed	2
Unpack the Blind.....	2

Installation:

Installation Overview	3
Mount the Installation Brackets — Inside Mount and Ceiling Mount ...	5
Mount the Installation Brackets — Outside Mount	7
Install the Blind	10
Complete the Installation	12

Operation:

Operate the Blind	15
Troubleshooting	17

Care:

Cleaning Procedures	19
---------------------------	----

Safety:

Warning	20
---------------	----

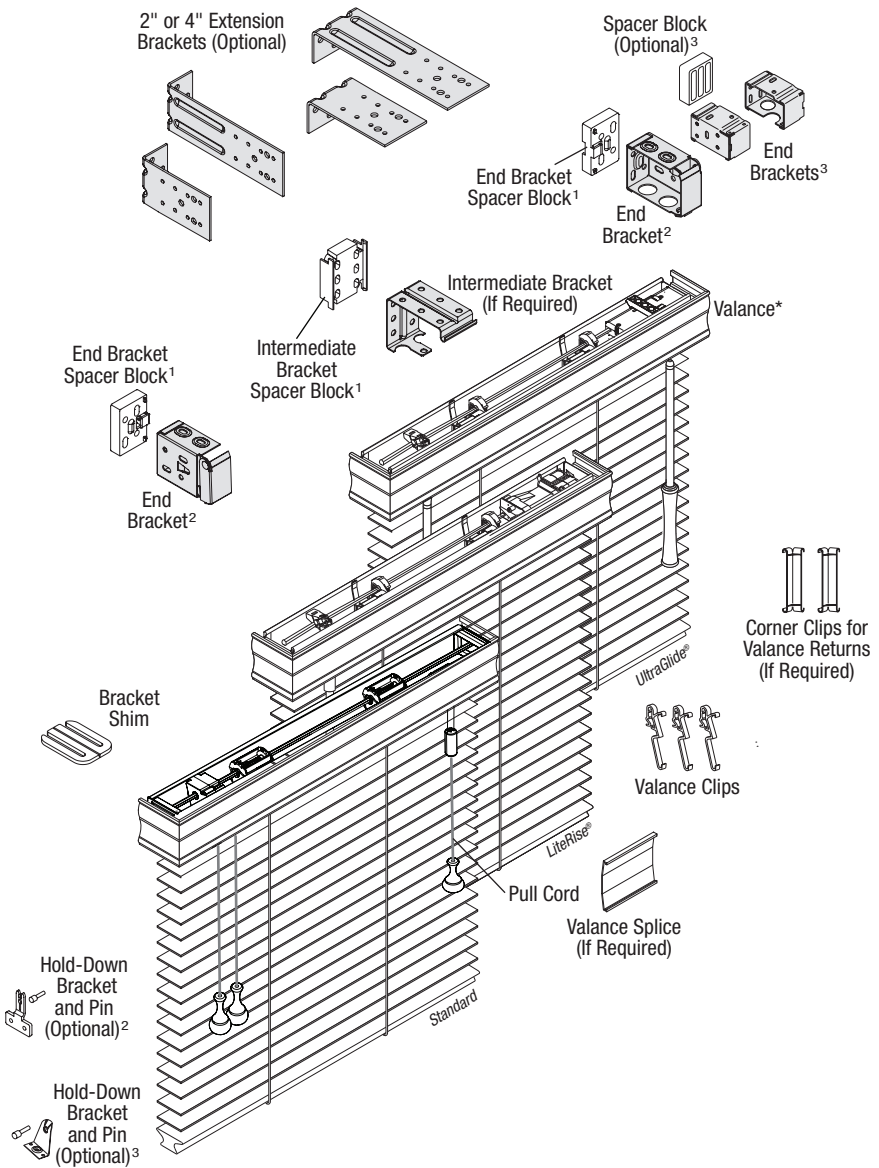
Questions?

Contact a Customer Service representative at

1-800-727-8953.



Product View



¹ Required with 2 1/2" slat size; optional with 2" slat size

² 2" and 2 1/2" slat sizes

³ 1 3/8" slat size

* Valance, bottom rail, tassel, and wand design varies by product

GETTING STARTED

Thank you for purchasing Hunter Douglas horizontal blinds. With proper installation, operation, and care, your new blinds will provide years of beauty and performance.

Please thoroughly review this instruction booklet before beginning the installation.

Tools and Fasteners Needed

- Flat blade and Phillips screwdrivers
- Level (laser level is recommended)
- Measuring tape and pencil
- Power drill, drill bits, and 1/4" hex driver (or socket wrench with 1/4" hex socket)

In addition, you will need fasteners designed to work with your specific mounting surface(s).

- **#6 Hex Head Screws (Provided).** Two 1 1/2" screws are provided per installation bracket.
- **Longer #6 Hex Head Screws (Not Provided).** If using spacer blocks, use #6 screws long enough for a secure attachment.
- **Drywall Anchors (Not Provided).** Use drywall anchors when mounting into drywall.



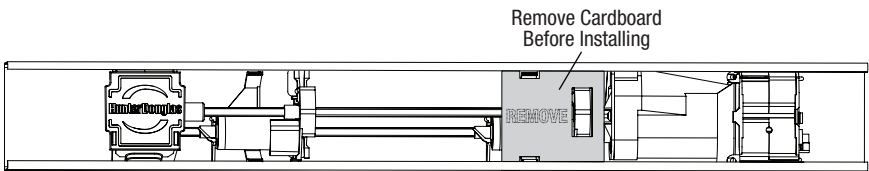
#6 x 1 1/2"
Hex Head Screw
(Provided)



Longer #6 Hex Head Screw
for Use with Spacer Blocks
(Not Provided)

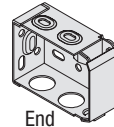
Unpack the Blind

- Remove the blind from the package. Keep the packaging until the blind operates to your satisfaction.
- Refer to the diagram on the previous page and check for all necessary parts.
- Contents of your hardware package may vary depending upon the options chosen.

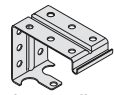


Installation Overview

- Two end brackets are used to mount horizontal blinds. Wider blinds also require one or two intermediate brackets, as shown in the tables below.



End Bracket



Intermediate Bracket

Standard Hardware System

1³/₈" , 2" , and 2¹/₂" Standard Wood Blinds
2" and 2¹/₂" Alternative Wood Blinds

Width of Blind	Intermediate Brackets
Up to 48"	0
48 ¹ / ₈ " – 60"	1
60 ¹ / ₈ " – 96"	2

2" Standard Natural Elements™
Aluminum Blinds

Width of Blind	Intermediate Brackets
Up to 72"	0
72 ¹ / ₈ " – 96"	1

2" Standard Macro Aluminum Blinds

Width of Blind	Intermediate Brackets
Up to 72"	0
72 ¹ / ₈ " – 96"	1
96 ¹ / ₈ " – 144"	2

LiteRise® Operating System

2" and 2¹/₂" LiteRise® Wood Blinds

Width of Blind	Intermediate Brackets
Up to 48"	0
48 ¹ / ₈ " – 60"	1
60 ¹ / ₈ " – 78"	2

2" LiteRise Macro Aluminum Blinds
2" LiteRise Natural Elements
Aluminum Blinds

Width of Blind	Intermediate Brackets
Up to 72"	0
72 ¹ / ₈ " – 90"	1

2" and 2¹/₂" LiteRise Alternative Wood Blinds

Width of Blind	Intermediate Brackets
Up to 48"	0
48 ¹ / ₈ " – 60"	1
60 ¹ / ₈ " – 72"	2

UltraGlide® Operating System

2" UltraGlide® Wood Blinds

2" UltraGlide Alternative Wood Blinds

Width of Blind	Intermediate Brackets
Up to 48"	0
48 ¹ / ₈ " – 60"	1
60 ¹ / ₈ " – 96"	2

2" UltraGlide Natural Elements
Aluminum Blinds

2" UltraGlide Macro Aluminum Blinds

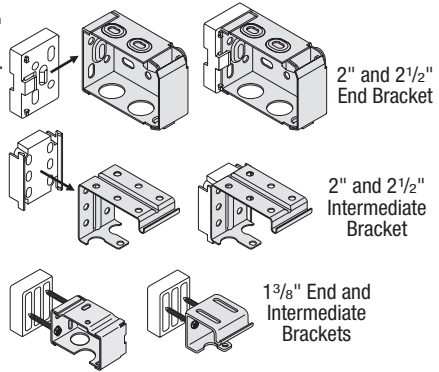
Width of Blind	Intermediate Brackets
Up to 72"	0
72 ¹ / ₈ " – 96"	1
96 ¹ / ₈ " – 112"	2

INSTALLATION

Spacer Blocks for 2 1/2" Slat Size

NOTE: Spacer blocks are required for the 2 1/2" slat size and optional for 2" and 1 3/8" slat sizes.

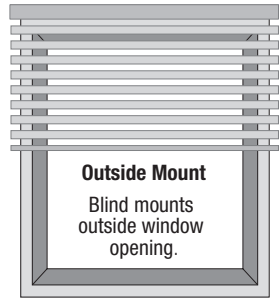
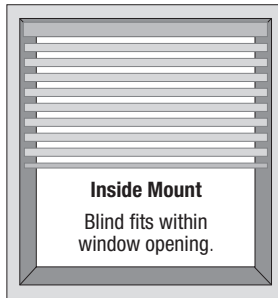
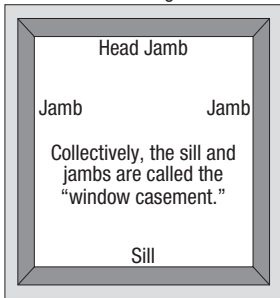
- Attach a spacer block to each of the two end brackets.
- If one or more intermediate brackets is required (see chart on previous page), attach a spacer block to each intermediate bracket.
- If extension brackets will be used, it is not necessary to attach spacer blocks.



Mounting Types and Window Terminology

If the installation brackets are mounted correctly, the rest of the installation process follows very easily. To prepare for this important first step, review the mounting types and basic window terminology illustrated below.

Molding



■ Refer to the appropriate page below based on your order:

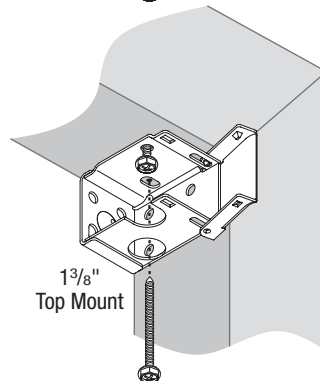
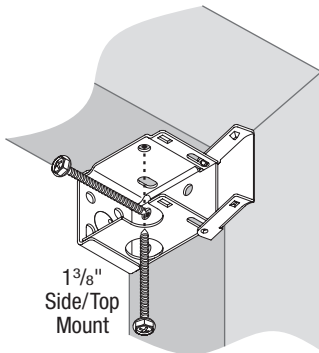
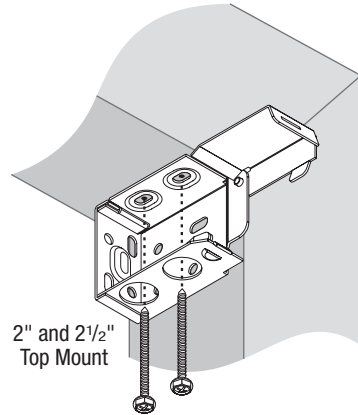
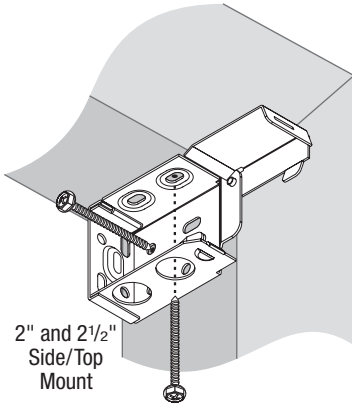
- **Inside Mount and Ceiling Mount — Page 5**
- **Outside Mount — Page 7**

Mount the Installation Brackets — Inside Mount and Ceiling Mount

Attach End Brackets

With inside mounts or ceiling mounts, attach the two end brackets flush against the sides of the window casement or to the ceiling. (See the outside mount section for positioning the brackets for ceiling mounting.) Choose the most appropriate of the following mounting methods:

- **Inside mount only:** Mount the end brackets with one screw through a side hole and one screw through a top hole, as shown below left.
- **Inside mount only:** Mount the end brackets with two screws through diagonal side holes.
- **Inside mount or ceiling mount:** Top mount the end brackets with screws through the two top holes, as shown below right.
- **Ceiling mount only:** If the brackets are flush with the back wall, attach them with one screw through a top hole and one through a rear hole.



- Use a 3/32" drill bit to drill holes for the mounting screws.

IMPORTANT: Use drywall anchors when mounting into drywall.

INSTALLATION

- Attach the end brackets using the screws provided.

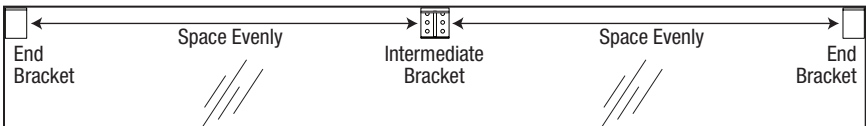
IMPORTANT: The front edges of the brackets must be level and aligned to each other.

NOTE: For blinds with 2 1/2" slats, spacer blocks are used with inside mounts to position the brackets a minimum of 3/8" from the glass. This prevents the slats from rubbing the glass when they are tilted open.

- **Specialty shapes with sloped headrail:** Only the top of each end bracket can be flush against the casement. Top mount the brackets, as shown on page 4.

Attach Intermediate Brackets (If Required)

- Evenly space the intermediate bracket(s) between the two end brackets.
 - Adjust spacing if needed to avoid interference with internal headrail mechanisms.



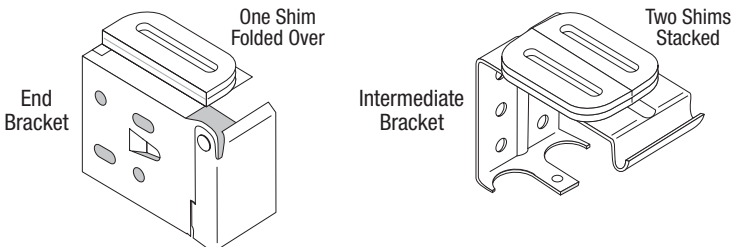
- Attach the intermediate bracket(s) with two screws through diagonal top holes.

IMPORTANT: The rear of the end brackets and intermediate bracket(s) must align.

Use Bracket Shims (If Required)

Bracket shims are used to gain clearance for valance clips with inside mounts and ceiling mounts. Shims are included with your order (one for each end bracket and two for each intermediate bracket).

- With each end bracket, first fold the shim and then position it on top of the bracket to gain the required clearance.
- With each intermediate bracket, stack two unfolded shims.



NOTE: Bracket shims may also be used whenever the mounting surface is uneven in order to mount the blind level. The shims can be cut along their fold line to make them thinner.

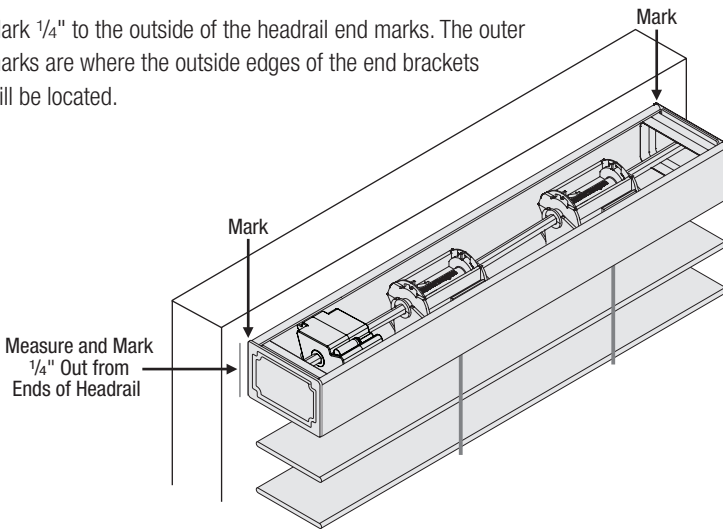
Proceed to "Install the Blind" on page 10.

Mount the Installation Brackets — Outside Mount

To attach the brackets, a flat vertical surface at least $1\frac{3}{4}$ " is required for 2" and $2\frac{1}{2}$ " slat sizes, and at least $1\frac{1}{4}$ " high for the $1\frac{3}{8}$ " slat size.

Mark End Bracket Locations

- Mark where the ends of the headrail will be located.
 - Center the headrail over the window opening at the desired height. Use a pencil to lightly mark each end of the headrail.
 - Alternatively, measure the width of the headrail and use that width to mark the headrail end points over the window opening.
- Mark $\frac{1}{4}$ " to the outside of the headrail end marks. The outer marks are where the outside edges of the end brackets will be located.



Attach the End Brackets

NOTE: The illustrations in this section show spacer blocks mounted with the installation brackets for the 2" and $2\frac{1}{2}$ " slat sizes. Spacer blocks are required for all outside mounted $2\frac{1}{2}$ " blinds, unless extension brackets are used. Spacer blocks are optional for $1\frac{3}{8}$ " and 2" slat sizes.

- Align the outside edge of each bracket with the outer marks and mark diagonal screw holes.
 - Use a $\frac{3}{32}$ " drill bit to drill holes for the mounting screws.

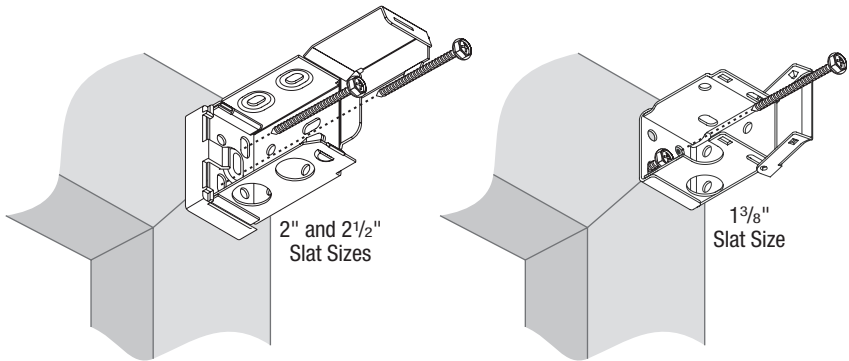
IMPORTANT: Use drywall anchors when mounting into drywall.

INSTALLATION

- Attach the end brackets using two screws through diagonal holes.
 - If using spacer blocks, use #6 screws long enough for a secure installation (2½" recommended).

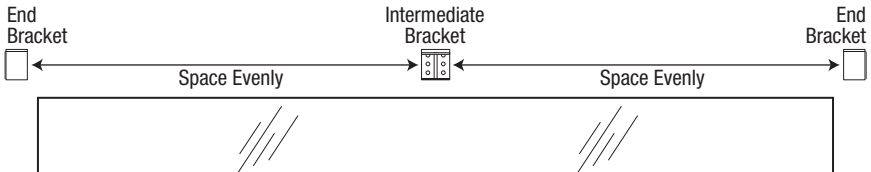
IMPORTANT: The tops of the brackets must be level and aligned at the same height.

CAUTION: The rear of the spacer blocks or brackets must be flush against a flat mounting surface. Do not mount brackets on curved molding.



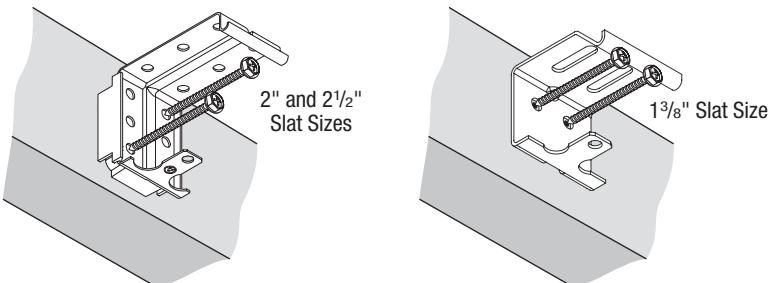
Attach Intermediate Brackets (If Required)

- Evenly space the intermediate bracket(s) between the two end brackets.
 - Adjust spacing if needed to avoid interference with internal headrail mechanisms.



- Attach the intermediate bracket(s) with two screws through diagonal holes.

IMPORTANT: The tops of the end brackets and intermediate bracket(s) must align.



Extension Brackets (Optional)

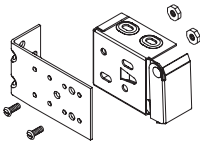
Attach 2" or 4" extension brackets to the mounting surface in the same locations where the end brackets and intermediate brackets would be attached.

- Use the provided screws to mount each extension bracket.

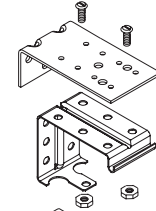
IMPORTANT: The tops of the end brackets and intermediate bracket(s) must align.

- Attach the installation brackets to the extension brackets using the screws and nuts provided, as shown below.

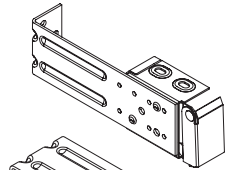
2" and 2 1/2" Slat Sizes



End Bracket with
2" Extension Bracket

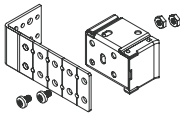


Intermediate Bracket
with 2" Extension Bracket

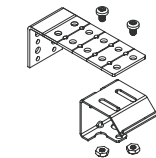


End and Intermediate Brackets
with 4" Extension Bracket

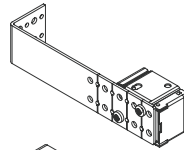
1 3/8" Slat Size



End Bracket with
2" Extension Bracket



Intermediate Bracket
with 2" Extension Bracket



End and Intermediate Brackets
with 4" Extension Bracket

Proceed to "Install the Blind" on page 10.

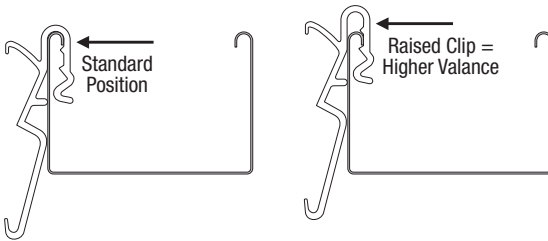
INSTALLATION

Install the Blind

Attach Valance Clips

With fully recessed inside mounts or ceiling mounts, the valance clips must be installed before mounting the headrail.

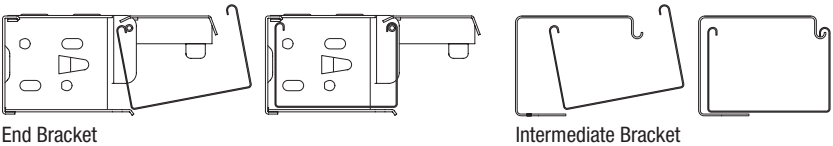
- Attach valance clips 2" from each end of the headrail.
- Space additional clip(s) evenly between the two end clips so that the valance clips are no more than 36" apart.
- Do not place the valance clips where they could interfere with any working parts.
- If desired, the valance may be positioned $\frac{1}{4}$ " higher by raising the clips one notch up, as shown in the illustration below.



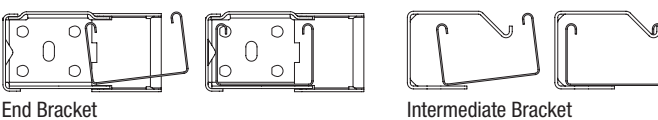
Mount the Headrail

- Tilt headrail so that its back lip slides under the front lip of the end brackets and intermediate bracket(s).
- Push headrail against the back of the end brackets.
- Check that the front lip of the intermediate bracket(s) is under the front lip of the headrail.

2" and 2 $\frac{1}{2}$ " Slat Sizes



1 $\frac{3}{8}$ " Slat Size

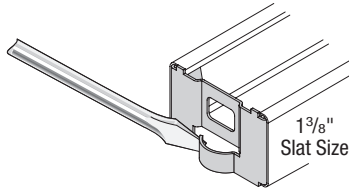
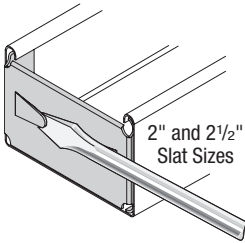
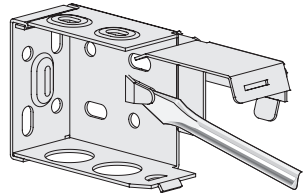


Adjust Headrail Tightness

- If the headrail is loose in the end brackets, bend the tabs on the brackets outward.

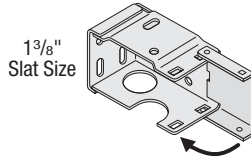
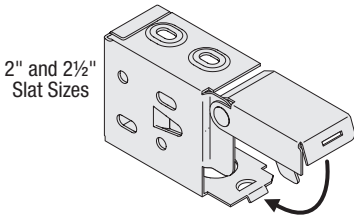
NOTE: The tabs may also be bent inward if the headrail is difficult to install into the end brackets.

- If your headrail end brackets do not have adjustable tabs, bend the tabs on the headrail end locks to adjust headrail tightness, as shown below.



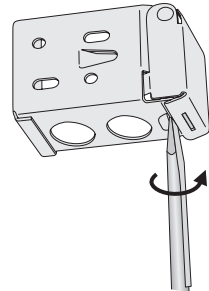
Close the End Brackets

- **2" and 2½" slat sizes:** Push the cover down until it snaps over the locking tab on the bottom of the bracket.
- **1¾" slat size:** Close the cover to the side until it snaps securely in position.



Open the End Brackets When Necessary

- **2" and 2½" slat sizes:** To open the end brackets, insert a flathead screwdriver between the bottom of the cover and the quick release tab, and twist.
 - You can also push up on the bottom of the bracket to release the locking tab.
- **1¾" slat size:** Push up on the bottom of the bracket to release the locking tabs.
 - With outside mounts, squeeze the top and bottom of the bracket together to release the locking tabs.



Proceed to "Complete the Installation" on page 12.

INSTALLATION

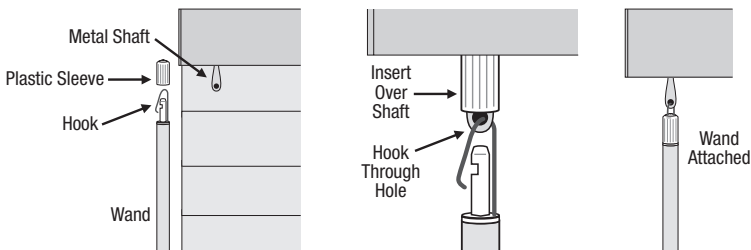
Complete the Installation

Attach the Wand (If Ordered)

If the blind was ordered with a wand tilter, attach the wand to the metal shaft.

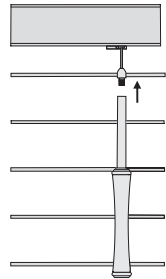
NOTE: Wands may appear different from the illustration, but assembly is the same.

- Pull the plastic sleeve from the top of the wand and insert it over the metal shaft.
- Insert the hook on the wand through the hole in the metal shaft.
- Slide the plastic sleeve down over the hook until firmly seated.
- Test the wand tilter. Approximately six revolutions of the wand should tilt the slats from fully closed up to fully closed down.



Attach the UltraGlide® Pull Wand (If Ordered)

If the blind was ordered with an UltraGlide® pull wand, screw the wand to the UltraGlide metal tip. Make sure the wand is screwed all the way onto the tip and is snug.

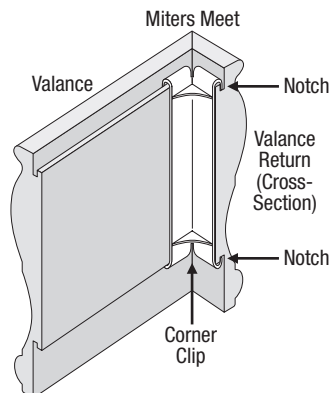


Attach the Valance Returns, If Necessary

If the valance came with returns and they are not already attached, connect the returns to the valance using the corner clips provided.

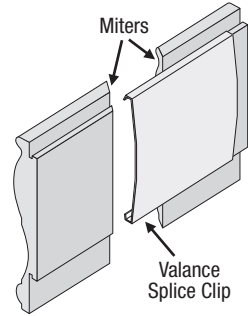
- The notches on the rear of the valance and returns fit into the grooves of the corner clips.
- Slide one end of each clip onto the rear of the valance until the center of the clip aligns with the edge of the miter cut at each end.
- Slide a return onto each corner clip until its miter is flush against the miter on the valance.

NOTE: Valance design varies by product.



Splice Valances

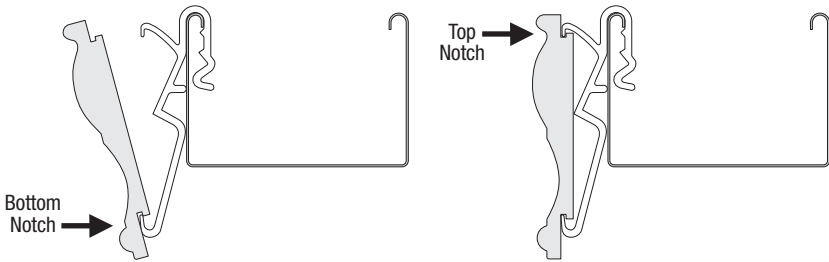
For valances that are spliced, join the two mitered valance pieces together by sliding the valance splice clip onto the back of the valance where the two halves meet.



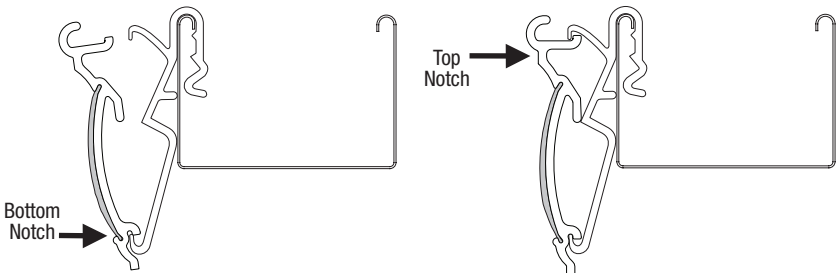
Attach the Valance

- Tilt the valance to insert its bottom notch into the bottom part of the valance clip.
- Pulling the valance slightly downward, insert the top notch of the valance into the clip, as shown.
- To remove the valance, gently pull the valance downward to release it from the top of the valance clips. Rotate the top of the valance toward you. Lift up the valance to release it from the bottom of the valance clips.

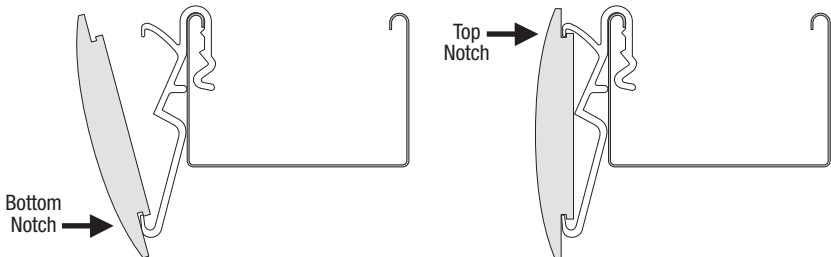
Wood Blinds and Alternative Wood Blinds Valance



Aluminum Blinds Insertable Valance



Wood Blinds and Natural Elements™ Aluminum Blinds Valance



INSTALLATION

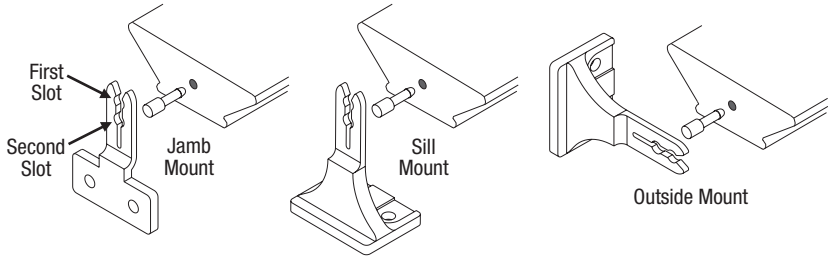
Attach Hold-Down Brackets (Optional)

- For wood and alternative wood blinds, the bottom rail will come with pre-drilled $\frac{3}{32}$ " holes and hold down pins that have been inserted in the center of the bottom rail ends. For aluminum blinds, push out the perforated pin plug from each bottom rail end cap using a ballpoint pen or similar pointed object.

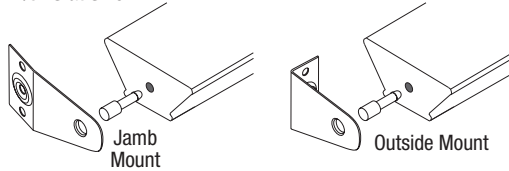
NOTE: Bottom rail design varies by product.

- To mount the hold-down brackets, first fully lower the blind. Align the hold-down brackets with the pins in the bottom rail.
 - Align the first slot with the $2\frac{1}{2}$ " slot size.
 - Align the second slot with the 2" slot size.
 - Place the pin in the slot hole with the $1\frac{3}{8}$ " slot size.

2" and $2\frac{1}{2}$ " Slat Sizes



$1\frac{3}{8}$ " Slat Size

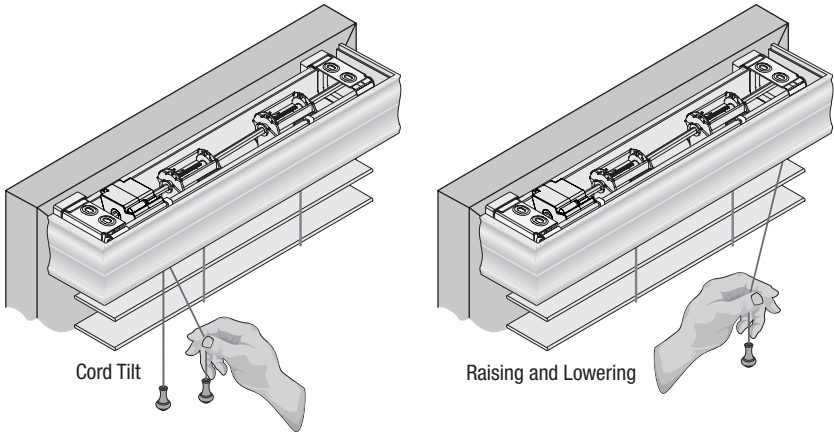


- Maintain the correct slot alignment as you attach the hold-down brackets to the jamb, sill or outside mounting surface.
- Slide the hold-down pins into the appropriate slot on the brackets.
- If necessary with 2" outside-mounted blinds, the first slot of the hold-down brackets may be used in place of a spacer block.

Operate the Blind

Tilting the Slats

- **Wand tilt:** Rotate the wand to tilt the slats to the desired angle.
- **Cord tilt:** The two cords with individual tassels are for tilting the slats. Each cord tilts the slats in an alternate direction.



Raising and Lowering the Blind — Standard Hardware System

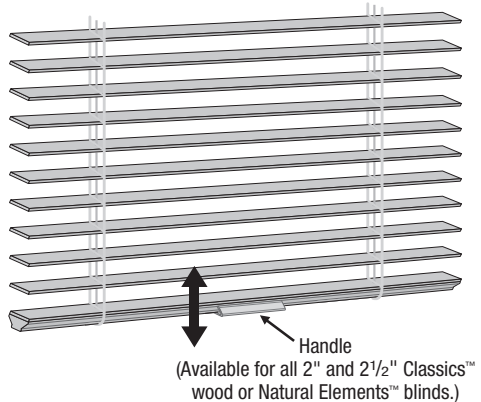
IMPORTANT: Whenever raising or lowering the blind, the slats must be in the open position.

- Pull the single cord down and toward the center to raise and lower.
- Hold the cord to the outside to lock the blind in position.

Raising and Lowering the Blind — LiteRise® Operating System

IMPORTANT: Whenever raising or lowering the blind, the slats must be in the open position.

- Grasp the handle or bottom rail and push up to raise the blind.
- Grasp the handle or bottom rail and pull down to lower the blind.
- An extension pole is available for operating the blind in hard-to-reach windows. A decorative tassel will be attached to the bottom rail with a string. Hook the string and tassel with the extension pole and pull down.



OPERATION

Raising and Lowering the Blind — UltraGlide® Operating System

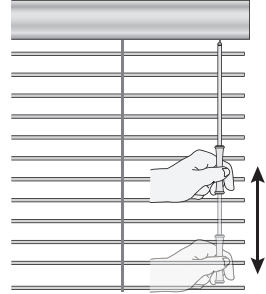
For smooth operation, keep the wand or cord close to the slats when raising and lowering the blind. Do not pull the wand or cord away from the blind.

To Raise the Blind:

- Prior to raising or lowering, tilt slats to open position, using the tilt mechanism on the left side of the blind.
- Using the handle or tassel on the right side of the blind, pull straight down in short, even strokes.

NOTE: It is not necessary to use the full available stroke length. With each stroke, the blind partially raises.

- Allow the wand or cord to fully retract after each downward stroke.
- Use multiple strokes until the blind reaches the desired position. The locking mechanism is automatically engaged. No additional action is needed to maintain the raised position.

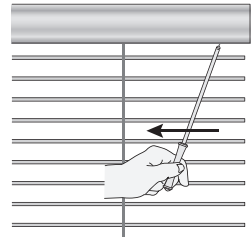


To Lower the Blind:

- Make sure the pull wand or cord is fully retracted.
- Pull the wand or cord directly toward the center of the blind at a 45° angle. You will hear a "click" as the locking mechanism releases. The blind lowers as you allow the wand or cord to return to the vertical position.

IMPORTANT: The wand or cord must be pulled towards the center of the blind. Do not pull away from the blind or in a downward direction.

- To stop the blind while lowering, move the wand or cord back toward the vertical position and give a slight downward pull, until the locking mechanism engages. Otherwise, the blind will descend gently to the fully lowered position.



Troubleshooting

Problem	The blind will not fit into the installation brackets.
Solution	Make sure the brackets are level and aligned, and the mounting surface is flat.
Problem	The blind does not tilt.
Solution	Check that the tilt cords are not tangled or knotted. Check that the ladders have not become disengaged from the tape drums. Check that the tilt rod is fully inserted into the tilt gear.
Problem	The blind does not raise and lower evenly.
Solution	Check inside the headrail. Make sure no obstructions keep the mechanism from turning. Check that the lift cords are not pinched or tangled.
Problem	UltraGlide® blinds only: The blind is hard to raise or lower, or will not raise or lower.
Solution	Be sure the pull wand or cord is being pulled straight down and close to the blind. Check that the bottom rail is not obstructed or held in place with hold-down brackets.
Problem	UltraGlide blinds only: The lowering mechanism engages and “clicks” but the blind does not lower.
Solution	The UltraGlide mechanism is caught between the raising and lowering functions. Simply pull the wand or cord vertically to slightly raise and reset the blind. Then, lower as usual.
Problem	UltraGlide blinds only: The blind does not stay in place as the wand or cord retracts during raising.
Solution	The lowering mechanism has been engaged. Be sure to pull down on the pull wand or cord, not out or across the blind.

OPERATION

Problem	UltraGlide® blinds only: The blind will not lower when the wand or cord is pulled toward the center of the blind.
Solution	The pull wand or cord must be in the fully retracted position to engage the lowering mechanism. Be sure the wand or cord is being pulled directly toward the center of the blind, not down then over.
Problem	Lift cords are bunching by the safety cord stop.
Solution	Make sure the slats are in the open position. Raise and lower the blind.
Problem	Lift cords are stuck or jammed.
Solution	Check the cords and the moveable pin in the cordlock mechanism inside the headrail of the blind. Make sure the cords can move freely. If the cords are jammed, use a screwdriver or needlenose pliers to move the pin and free the cords.
Problem	Decorative tapes are wrinkled after installation.
Solution	Use a steamer to steam out the wrinkles. Wave the steamer in front of the tapes for a few seconds. Do not touch the slats with the steamer. To avoid stretching the tapes, do not pull down on the bottom rail while steaming.
Problem	When hanging, the slat pack appears to be skewed towards the cordlock side of the unit, particularly in an inside mounting installation.
Solution	Slide the headrail in the brackets in the opposite direction of the skew and adjust the tabs in the box bracket to maintain the position of the unit. This will center the slat pack in the window.

Cleaning Procedures

Like any fine furnishings, Hunter Douglas wood, alternative wood, and aluminum blinds should be cleaned regularly to keep them looking new.

Wood, Alternative Wood and Aluminum Blinds

- Dust regularly. Use a soft clean cloth, chemically-treated dust cloth or dusting mitt. Lower the blind to its full length, tilt the slats almost all the way down and dust. Then tilt the slats almost all the way up and dust. (Not closing the slats all the way allows dusting where the slats overlap.)
- Blinds may also be vacuumed. Use the brush attachment and tilt the slats up and down as described for dusting.
- Another way to clean blinds is simply by wiping them with a soft, damp cloth.

Wood Blinds Only

- Stained blinds, like wood furniture, should be treated periodically with lemon oil or other wood preservative to protect their finish and enhance their luster.

Alternative Wood and Aluminum Blinds

- Wash the slats only using a non-abrasive mild detergent solution. Allow to air dry to preserve the dust repellent properties of the slats.
- For a more thorough cleaning, metal or alternative wood bottom rails and slats may be immersed in a bathtub. Do not immerse headrails or wood bottom rails. Bathtub cleaning is not recommended for blinds with wide tapes.

IMPORTANT: Hunter Douglas does not recommend ultrasonic cleaning of wood, alternative wood or aluminum blinds.



WARNING

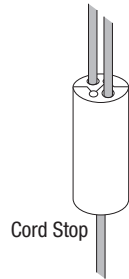
For more safety information call 1-888-501-8364 in the U.S. or 1-866-662-0666 in Canada.

- Young children can **STRANGLE** in cord loops. They can also wrap cords around their necks and **STRANGLE**. In addition, inner cords can pull out to form a loop, which can **STRANGLE** a young child.
- Always keep cords out of the reach of children.
- Move cribs, playpens and other furniture away from cords. Children can climb furniture to get to cords.
- Do not tie cords together. Make sure cords do not twist together and create a loop.



Cord Stop

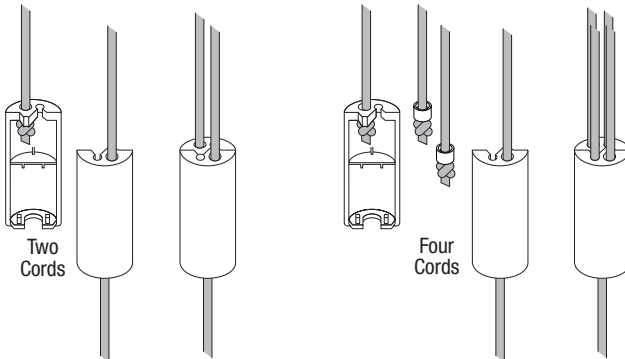
- This component acts as a stopper to prevent inner cords from being pulled through the blind, which can pose the risk of entanglement.
- It is also designed to break apart under significant pressure, which may lessen the risk of entanglement in the top lift cords.



Cord Stop

Reassembly of Cord Stop

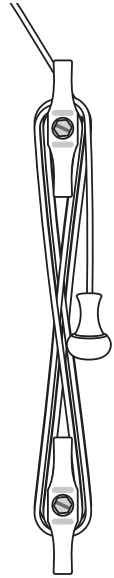
- Reinsert any loose cords into the top notches of the cord stop. There is a notch on each side.
- Line up the two halves of the cord stop and snap the pieces back together.



Cord Cleats

Hunter Douglas offers cord cleats and we recommend their use.

- Attach two cord cleats 6" to 12" apart at a height where they will be out of the reach of children. Take into account that a child may stand on furniture attempting to reach the cords. Be sure the cleats are firmly secured.
- Once the cleats are attached, wrap excess cord around them after each use of the blind.



NOTE: The warning labels on the bottom rails of corded blinds contain important safety information. These warning labels are designed to be permanent, in accordance with the industry's safety standards, and must not be removed.