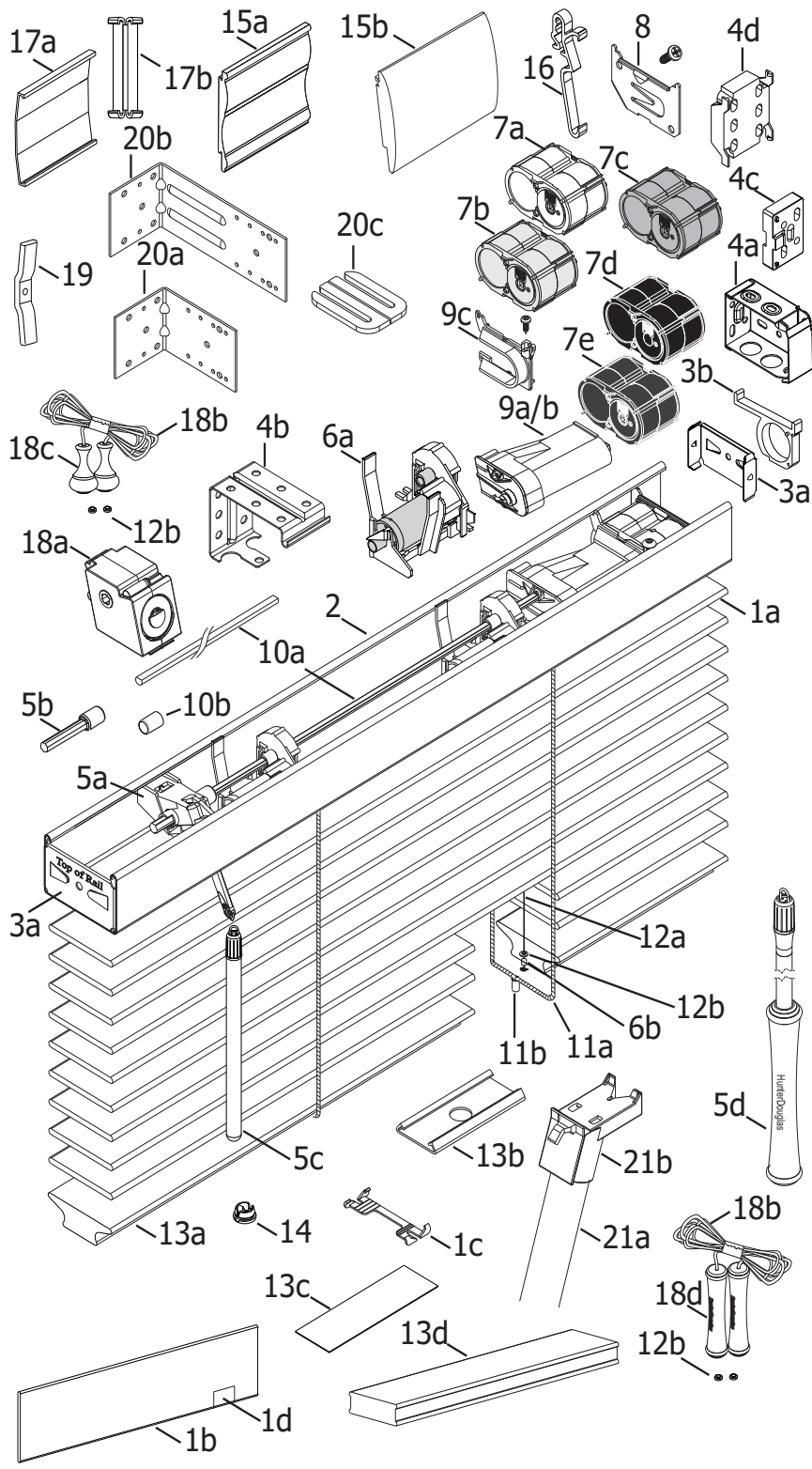


2" & 2½" Parkland® Wood Blinds with LiteRise®



Standard Parts

- 1a. 2" Slat
- 1b. 2½" Slat
- 1c. Tape Spacer
- 1d. Slat Protector
- 2. Headrail
- 3a. Headrail End Lock
- 3b. Motor Spacer
- 4a. Installation Bracket
- 4b. Intermediate Support Bracket
- 4c. Spacer Block (Bracket)
- 4d. Spacer Block (Support Bracket)
- 5a. Wand Tilter
- 5b. Tilter Adapter D-Rod
- 5c. Wand
- 5d. Decorative Tilt Wand Assembly
- 6a. LiteRise® 2" Lift and Tilt Roll Assembly
- 6b. "X" Tape Locator Grommet
- 7a. LiteRise C2 Motor – Natural
- 7b. LiteRise C2 Motor – Beige
- 7c. LiteRise C2 Motor – Gray
- 7d. LiteRise C2 Motor – Black
- 7e. LiteRise C2 Motor – Red
- 8. 2" LiteRise Motor Clamp
- 9a/b. LiteRise C2 Transmission
- 9c. LiteRise C2 Transmission Adaptor
- 10a. Tiltrod
- 10b. LiteRise Tilt Rod Extender
- 11a. No Loop Cable Tape
- 11b. 2" Cable Tape Grommet
- 12a. Lift Cord 0.9mm
- 12b. Lift Cord Grommet
- 13a. Deluxe Bottom Rail (2" & 2½" Classics Only)
- 13b. Bottom Rail Handle (Deluxe Bottom Rail ONLY)
- 13c. Bottom Rail Weight
- 13d. 2" Rectangular Bottom Rail (2" Scenic™, Textures, Weathered & Ash ONLY)
- 14. Tape Button
- 15a. Grandover™ Valance
- 15b. Artemis™ Valance (Standard on 2" Scenic™, Textures, Weathered & Ash. Optional on 2" & 2½" Classics)
- 16. Universal Valance Clip
- 17a. Valance Splice
- 17b. Universal Valance Corner Key
- 18a. Cord Tilter
- 18b. Tilt Cord 1.4mm
- 18c. Wood Tassel
- 18d. Decorative Wood Tassel
- 19. Child Safety Kit (Cord Cleat)

Optional Parts

- 20a. Short Extension Bracket
- 20b. Long Extension Bracket
- 20c. Bracket Shim
- 21a. Extension Pole
- 21b. Tip for Extension Pole

This is a representative model of the LiteRise® system for all 2" and 2½" Classics™ and 2" Scenic™, Textures, Weathered & Ash blinds.
 Note: Bracket spacers (4c and 4d) are standard with 2½" slats.

2" & 2½" Parkland® Wood Blinds with LiteRise®

No.	PCN	Description	No.	PCN	Description
1a.	2Sxxx	2" Classics™ Slat	9c.	7300132000	LiteRise C2 Transmission Adaptor with Screws
1b.	3Sxxx	2½" Classics™ Slat	10a.	5908028000	"D" Tiltrod (1 each for tilt and lift)
1c.	7007074000	2" Universal Tape Spacer	10b.	7007066000	LiteRise Tilt Rod Extender
	7007078000	2½" Tape Spacer	11a.	5003074xxx	No Loop Cable Tape Ladder – 44mm
1d.	7007071000	Beveled Slat Protector		5003073xxx	No Loop Cable Tape Ladder – 54mm
2.	5003004xxx	2" Low Profile Headrail	11b.	5003308000	2" Cable Tape Grommet (Bottom)
3a.	5003655000	2" Low Profile Headrail End Lock	12a.	5009077xxx	0.9 mm Lift Cord
3b.	7300180000	2" LiteRise Motor Spacer (for use on blinds with 2 motors)	12b.	5008083000	Lift Cord Grommet
4a.	5003046xxx	2" Low Profile Installation Bracket	13a.	DRxxx	Deluxe Wood Bottom Rail (2" & 2½" Classics™ ONLY)
4b.	5003158000	2" Low Profile Intermediate Support Bracket	13b.	7300134000	Bottom Rail Handle (Deluxe Bottom Rail ONLY)
4c.	5003142000	Spacer Block 2" Low Profile Bracket (¾" Thick)	13c.	7007065000	Bottom Rail Weight Adhv 2 Sides
4d.	5003156000	Spacer Block 2" LP Support Bracket (¾" Thick)	13d.	2Rxxx	2" Rectangular Wood Bottom Rail (2" Scenic™, Textures, Weathered & Ash ONLY)
5a.	5003768000	2" Low Profile Wand Tilter	14.	7004034xxx	Wood Tape Button – 2"
5b.	5003872000	2" Low Profile Tilter Adapter – D-Rod	15a.	GVxxx	Grandover™ Valance 3¼"
5c.	Wood Wand Assembly		15b.	UVxxx	Artemis™ Valance 3¼" (Standard on 2" Scenic™, Textures, Weathered & Ash. Optional on 2" & 2½" Classics.)
	WDA24xxx*	24"	16.	7007845000	Universal Valance Clip
	WDA30xxx*	30"	17a.	7007541000	Valance Splice
	WDA36xxx*	36"	17b.	7007444000	Universal Valance Corner Key
	WDA48xxx*	48"	18a.	5003873748	Tilter 2in Cord Gray
	*Wood wand assembly comprised of:		18b.	5009075xxx	1.4 mm Tilt Cord
	-Wood Wand		18c.	GTxxx	Wood Tassel
	-Wood Wand Connector Kit (Wand Cap – 7008700000)		18d.	7003095xxx	Decorative Wood Tassel
5d.	Decorative Tilt Wand Assembly		19.	2980246000	Child Safety Kit (Cord Cleat)
	5008824xxx*	24"	Optional Parts:		
	5008830xxx*	30"	20a.	5003167000	Low Profile Short Extension Bracket
	5008836xxx*	36"	20b.	5003168000	Low Profile Long Extension Bracket
	5008848xxx*	48"	20c.	7007069000	⅛" Bracket Shim
	*Decorative tilt wand assembly comprised of:		21a.	7300137000	Extension Pole
	- Wand and Handle		21b.	7300138000	Tip For Extension Pole
	- Tilt Wand Connector Kit (Wand Cap - 7008701000)		Not Shown:		
6a.	7300155000	LiteRise® 2" Lift and Tilt Roll Assembly (with Hole)		7007076000	2" Hold-Down Bracket (Jamb)
6b.	5008047000	"X" Tape Locator Grommet (Top)		7007075000	2" Hold-Down Bracket (Sill)
7a.	7300117000	LiteRise C2 Motor (Natural)		5007307000	Hold-Down Pin
7b.	7300118000	LiteRise C2 Motor (Beige)	xxx = 3-digit color code		
7c.	7300119000	LiteRise C2 Motor (Gray)			
7d.	7300120000	LiteRise C2 Motor (Black)			
7e.	7300187000	LiteRise C2 Motor (Red)			
8.	7300139000	2" LiteRise Motor Clamp			
9a.	7300185000	LiteRise C2 Transmission (Natural)			
9b.	7300221000	LiteRise C2 Transmission (Beige)			