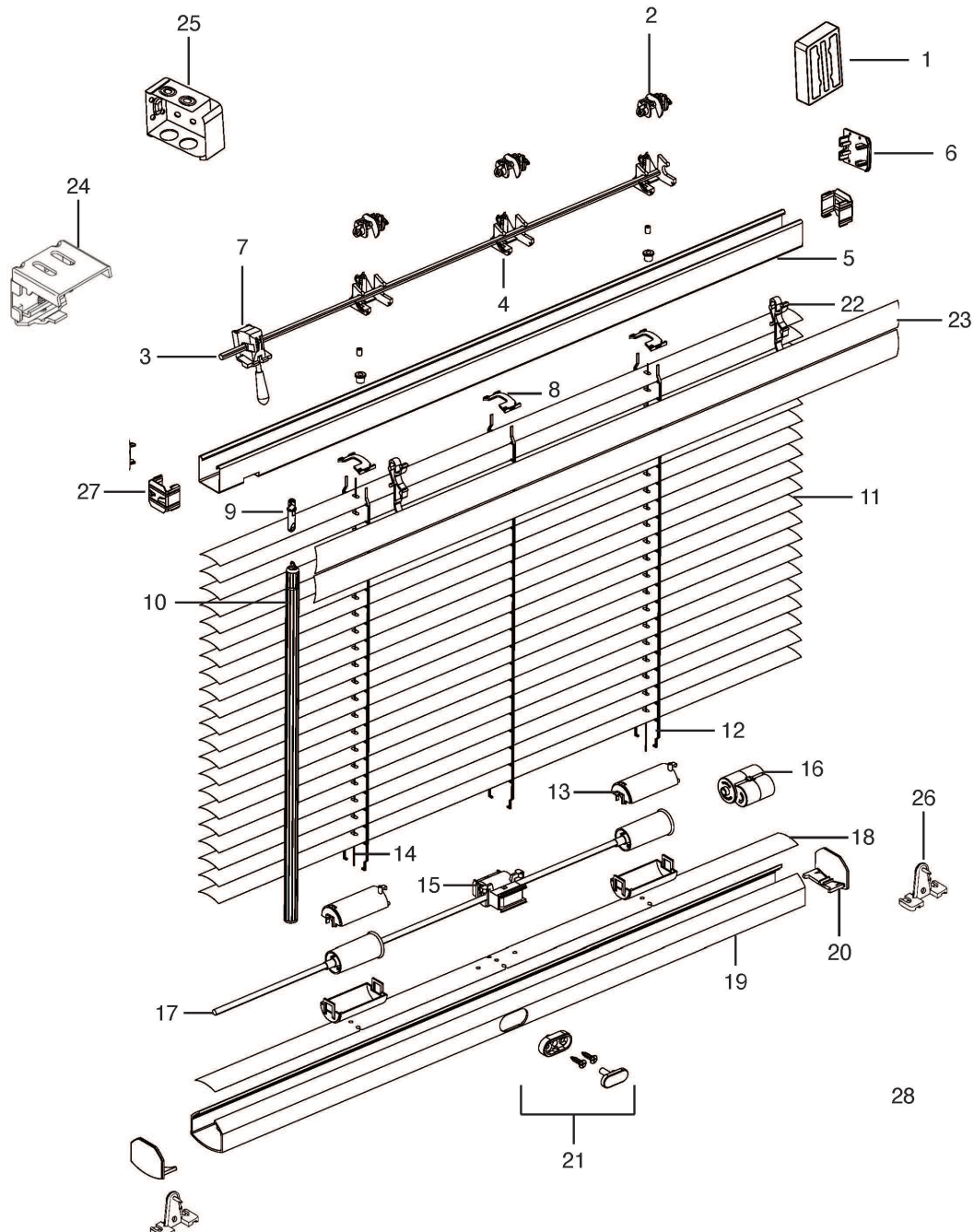


# Riviera® Commercial Aluminum Horizontal Blinds

## 1" .008 Gauge Aluminum Metal Blinds



### STANDARD PARTS

- 1. 3/8" Spacer Block\*
- 2. Tape Drum
- 3. Tilt Rod
- 4. Tape Drum Support
- 5. Headrail
- 6. Headrail End Cap
- 7. Wand Tilter
- 8. Tape Spacer
- 9. Wand Extender
- 10. Clear Wands

- 11. Slat
- 12. Cable Tape Ladder
- 13. Support Set (Spool Cover) (Part#)
- 14. Cord
- 15. Assembly with screws
- 16. Motor
- 17. Steel V Shaft
- 18. Aluminum Filler Strip
- 19. Bottomrail
- 20. Bottomrail End Cap

- 21. Button Set
- 22. Valance Clip
- 23. Double Slat Channel Valance
- 24. Hidden Installation Brackets
- 25. Box Installation Brackets (Optional)
- 26. Hold Down Brackets
- 27. End Lock (ordered with Box Brackets)
- 28. Not Shown: Installation Screw (# 6 x 1.5")

\*Not required on every blind