

5.875" Dual Bracket - ST30R WireFree RTS Motor

SPECIFICATIONS

To properly conceal the brackets, the shade must be mounted inside a window frame or in a pocket.

Bracket Mount: Face, Wall or Ceiling

Tube Size: 37mm (1.5")

Shade Width: 30" - 80"

Lift Capacity: 11 lbs

Light Gap: Motor End —3/4" (.75"), Idle End —3/4" (.75")

Motor connection: Built-in Rechargeable Battery

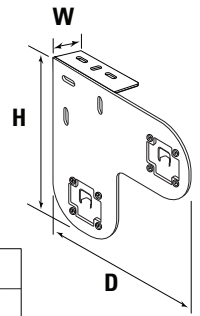
Power connector: 10" Motor Charging Cable Plug

Bracket Color: Grey

Bracket Covers: n/a

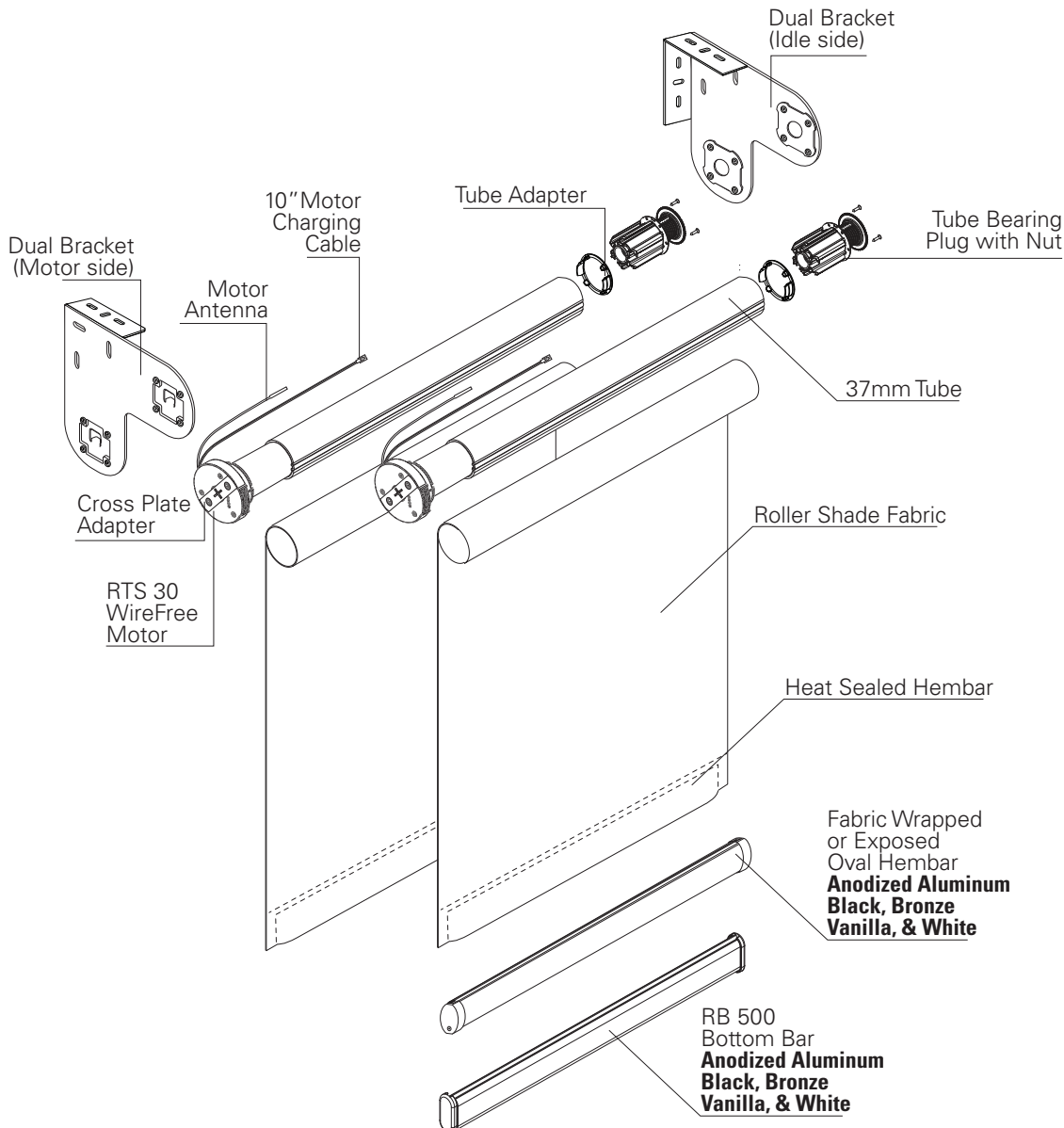
Hembar: Determined by fabric

Control Options: Wireless Wall Switch, Wireless Remote, Universal Interface, Timer, Sun Sensor mylink™ RTS Smartphone and Tablet Interface

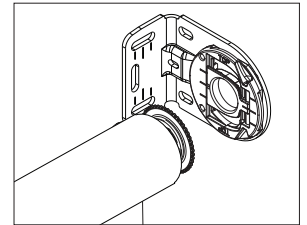


Bracket	Dimensions	Max Roll Up
Dual	5.875"H x 1"W x 5.875"D	2-1/2" (2.5")

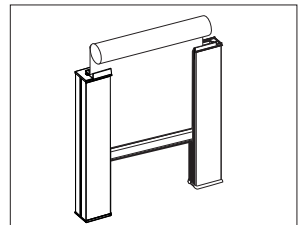
Note: 6" depth minimum is needed to conceal brackets



OPTIONS



Integrated Leveler



Side Channels

Plug-In Charger
(sold separately)