

Riviera® Commercial Aluminum Horizontal Blinds

WHY CHOOSE ALUMINUM HORIZONTAL BLINDS?

With attractive design and resilient construction with good value, Aluminum Horizontal Blinds are available in manual cordless options, ideal for larger-size commercial projects.

Explore 46 color ways available in 1" blinds and 20 color ways in 2" blinds.

KEY FEATURES

Cordless

Cost Effective

Easy to Clean

GREENGUARD® Certified

Backed by our Lifetime Guarantee



| Color Options



110 Snow Gloss



116 Polar Bear*



885 Chalk White*



990 White*



125 Pure White



1392 Quartz



113 White Cap



385 Evening Snow



974 Pearl*



991 Matte Alabaster



002 Alabaster*



973 Antique*



148 Vanilla*



830 Canvas*



310 Sand*



316 Malibu Sand



992 Matte Mushroom



365 Mushroom*



186 Beige



384 Rich Earth*



994 Dark Bronze*



887 Raw Umber*



993 Café Noir



190 Bright Aluminum*



995 Champagne Mist



915 Copperite



034 Brushed Aluminum*



262 Brushed Nickel Texture



996 Brushed Patina



997 Cashmere



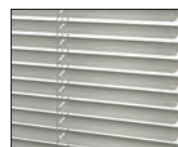
998 Squirrel Gray*



443 Smokey Gray



276 Mercury*



860 Seattle Gray



405 Pewter Gray



999 Pebble



870 U.N. Gray*



892 Low Gloss Black*



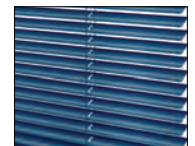
048 Black*



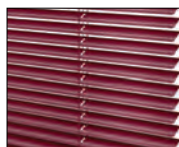
637 China Blue



919 Sprig



685 Royal Navy



275 Garnet Red



590 Sherwood Green



994P Dark Bronze Perforated

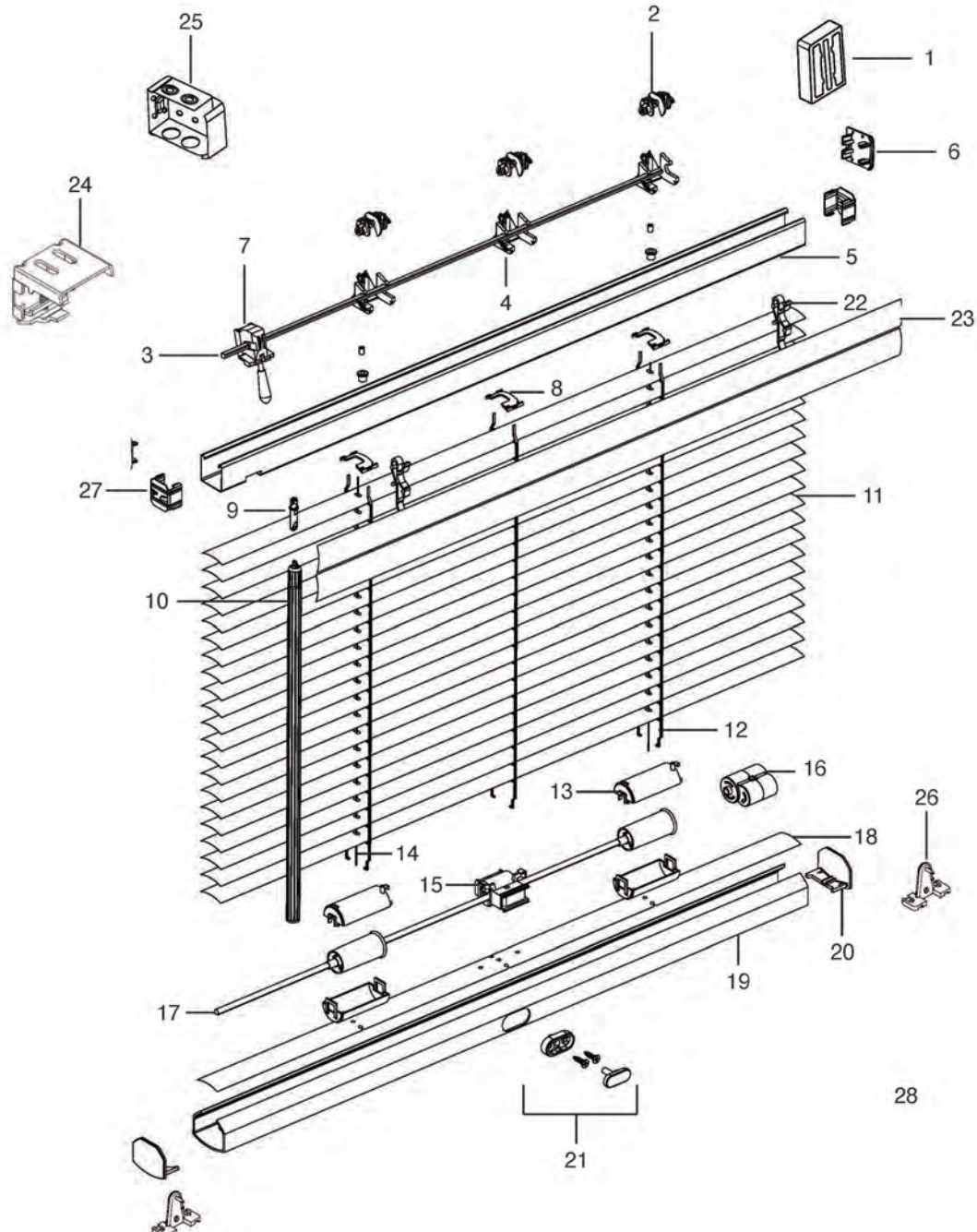


034P Brushed Aluminum Perforated

All 46 colorways available in 1" slats.
*Denotes colors also available in 2"

Riviera® Commercial Aluminum Horizontal Blinds

1" .008 Gauge Aluminum Metal Blinds



STANDARD PARTS

- 1. 3/8" Spacer Block*
- 2. Tape Drum
- 3. Tilt Rod
- 4. Tape Drum Support
- 5. Headrail
- 6. Headrail End Cap
- 7. Wand Tilter
- 8. Tape Spacer
- 9. Wand Extender
- 10. Clear Wands

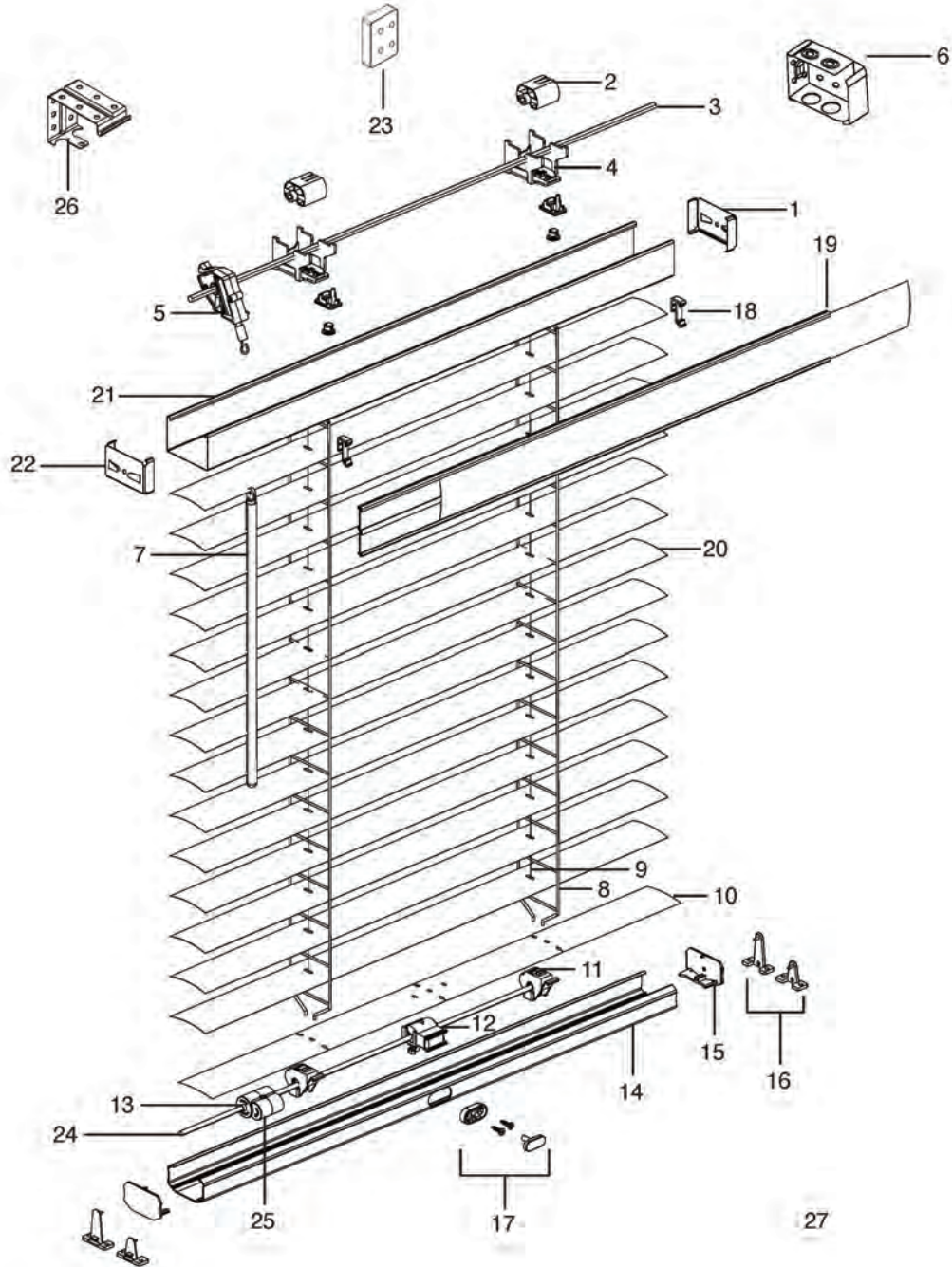
- 11. Slat
- 12. Cable Tape Ladder
- 13. Support Set (Spool Cover) (Part#
- 14. Cord
- 15. Assembly with screws
- 16. Motor
- 17. Steel V Shaft
- 18. Aluminum Filler Strip
- 19. Bottomrail
- 20. Bottomrail End Cap

- 21. Button Set
- 22. Valance Clip
- 23. Double Slat Channel Valance
- 24. Hidden Installation Brackets
- 25. Box Installation Brackets (Optional)
- 26. Hold Down Brackets
- 27. End Lock (ordered with Box Brackets)
- 28. Not Shown: Installation Screw (# 6 x 1.5")

*Not required on every blind

Riviera® Commercial Aluminum Horizontal Blinds

2" .008 Gauge Aluminum Metal Blinds



STANDARD PARTS

- | | | |
|-----------------------------|-------------------------------|---|
| 1. End Lock | 11. Support and Cover Set | 21. Headrail |
| 2. Tape Drum | 12. Lock Assembly with screws | 22. End Lock |
| 3. Tilt Rod | 13. Motor | 23. Spacer Blocks* |
| 4. Tape Drum Support | 14. Bottomrail | 24. "V" Tilt Rod |
| 5. Wand Tilter | 15. Bottomrail End Caps | 25. Lift Spool |
| 6. Box Installation Bracket | 16. Hold Down Brackets | 26. Intermediate Support Bracket |
| 7. Clear Wands | 17. Button Set | 27. Not Shown: Installation Screws (# 6 x 1.5") |
| 8. Cable Tape Ladder | 18. Valance Clips | |
| 9. Cord | 19. Single Channel Valance | |
| 10. Filler Strip | 20. Slat | |

*Not required on every blind

1" Aluminum Metal Blinds Product Specifications

Commercial Window Treatment Specification

Division 12-Furnishings

Section 12492- Hunter Douglas Architectural Riviera Commercial 1Inch Aluminum Horizontal Blind

PART 1 – GENERAL

1. SUMMARY

- a. Section Includes:
- b. Hunter Douglas Architectural Riviera Commercial 1 Inch Aluminum Horizontal Blind

2. REFERENCES

- a. FLAME-RESISTANT MATERIALS SHALL PASS OR EXCEED ONE OR MORE OF THE FOLLOWING TESTS:
 - i. National Fire Protection Association (NFPA) 701 (small scale for horizontal applications)
 - ii. Department of Transportation Motor Vehicle Safety Standard 302 Flammability of Interior Materials
 - iii. California Administrative Code Title 19
 - iv. Federal Standard 191 Method 5903 (used by Port Authority of New York and New Jersey for drapery, curtain, and upholstery material)
 - v. Boston Fire Department Test BFD IX-1
 - vi. New York State Uniform Fire Prevention and Building Code
- b. GREENGUARD Gold Certified

3. QUALITY ASSURANCE

- a. SUPPLIER: Manufacturer, subsidiary or licensed agent shall be approved to supply the products specified, and to honor any claims against product presented in accordance with warranty
- b. INSTALLER: Installer or agent shall be qualified to install specified products by prior experience, demonstrated performance and acceptance of requirements of manufacturer, subsidiary, or licensed agent. Installer shall be responsible for an acceptable installation.

4. **UNIFORMITY:** Provide 1 inch Horizontal Aluminum Blinds of only one manufacturer for entire project.

5. DELIVERY, STORAGE AND HANDLING:

- a. Product shall be delivered to site in manufacturer's original packaging.
- b. Product shall be handled and stored to prevent damage to materials, finishes and operating mechanisms.

6. JOB CONDITIONS:

- a. Prior to shade installation, building shall be enclosed.
- b. Interior temperature shall be maintained between 60°F and 90° F. during and after installation; relative humidity shall not exceed 80%. Wet work shall be complete and dry.

7. SHOP DRAWINGS:

- a. Show fabrication and installation details for window treatments.

8. SAMPLES FOR SELECTION:

- a. For each color and texture specified, submit 2 sets of samples representing manufacturer's standard range of finishes for aluminum slats at 6 inches (152 mm) long.
- b. Include Samples of accessories involving color selection.
- c. Window treatments Schedule: Use same designations indicated on Drawings.

9. INFORMATIONAL SUBMITTALS

- a. PRODUCT DATA: Manufacturer's descriptive literature shall be submitted indicating materials, finishes, construction and installation instructions and verifying that product meets requirements specified. Manufacturer's recommendations for maintenance and cleaning shall be included.
- b. DRAWINGS AND DIAGRAMS: Wiring diagrams of any motorized components or units, working and assembly drawings shall be supplied as requested.
- c. SAMPLE: Responsible contracting officer or agent shall supply one sample shade of each type specified in this contract for approval. Supplied units shall be furnished complete with all required components, mounting and associated hardware, instructions and warranty.
- d. QUALIFICATION DATA: For Installer.
- e. PRODUCT CERTIFICATES: For each type of window treatments, signed by product manufacturer.
- f. PRODUCT TEST REPORTS: For each type of window treatments, for tests performed by [manufacturer and witnessed by a qualified testing agency] [a qualified testing agency].

10. CLOSEOUT SUBMITTALS

- a. Maintenance Data: For window treatments to include in maintenance manuals.
- b. Sample warranty document

11. MAINTENANCE MATERIAL SUBMITTALS

- a. Furnish extra materials that match products installed and that are packaged with protective covering for storage and identified with labels describing contents.

1" Aluminum Horizontal Blinds Product Specifications Continued

PART 2 - PRODUCTS

1. ACCEPTABLE MANUFACTURER

- A. Hunter Douglas Architectural / 9900 Gidley, CA 91731 / Phone: 800-727-8953 Fax: 800-205-9819/ Website: HunterDouglasArchitectural.com.
- B. Product substitutions must be approved by architect minimum of 30 days prior to close of bid.

2. PRODUCT: Riviera Commercial 1 Inch Aluminum Horizontal Blind

- A. MATERIALS: Steel headrail and aluminum blind
- B. SIZE SPECIFICATIONS:
 - i. Width: Minimum 10-1/2 inches to maximum 120 inches, 144 inches with 2 on one headrail
 - ii. Height: Minimum 12 inches to maximum 84 inches
- C. SLATS: 1 inch .008 gauge aluminum slat in dust resistant finish
- D. SLAT SUPPORT: 1.4mm Corded, braided ladder at 22mm spacing
- E. HEADRAIL: Integrated valance, curved steel at 1.376 inch wide by 1.375 inch depth, 0.024 gauge
- F. VALANCE: Optional 2 slat channel valance
- G. BOTTOM RAIL: 1-1/2 inch wide by 1-1/8 inch high steel bottom rail with end cap, optional hold downs
- H. LIFTING MECHANISM: Cordless lift with balanced spring motor
- I. TILTING MECHANISM: Wand tilt
- J. TILT CONTROL WAND: Standard clear wand in control positions [left, right] at heights [12, 20, 30, 40, 50, 60, 70, 78 or 90] inches
- K. MOUNTING HARDWARE:
 - i. Box Bracket dimension 1-1/2 inch height by 1-1/4 inch depth. Support brackets as required by blind width.
 - ii. Hidden Brackets optional
- L. FABRICATION:
 - i. Outside Mount: 0 inch deduction from headrail, 0 inch deduction from blind width
 - ii. Inside Mount: 1/2 inch deduction from headrail, 1/2 inch deduction from blind width
- M. FINISHES
- N. SLAT finish selection from standard selection
- O. SLAT SUPPORT braided ladders shall be color coordinated with slat

3. INSPECTION:

- A. SUBCONTRACTOR shall be responsible for inspection on-site, approval of mounting surfaces, installation conditions and field measurement for this work.
- B. OTHER INTERACTING TRADES shall receive drawings of shade systems, dimensions, assembly and installation methods from subcontractor upon request.

4. INSTALLATION

- A. Minimum depth for inside mount is 7/8 inch with hidden bracket and 1" with box bracket.
- B. Install product level, plumb and aligned with adjacent units per installation instructions
- C. Provide final installation conditions to ensure product is without damage at the time of substantial completion in a dust-free environment

End of Section 12492

| 2" Aluminum Horizontal Blinds Product Specifications

Commercial Window Treatment Specification

Division 12-Furnishings

Section 12492- Hunter Douglas Architectural Riviera Commercial 2 Inch Aluminum Horizontal Blind

PART 1 – GENERAL

1. SUMMARY

- a. Section Includes:
- b. Hunter Douglas Architectural Riviera Commercial 2 Inch Aluminum Horizontal Blind

2. REFERENCES

- a. FLAME-RESISTANT MATERIALS SHALL PASS OR EXCEED ONE OR MORE OF THE FOLLOWING TESTS:
 - i. National Fire Protection Association (NFPA) 701 (small scale for horizontal applications)
 - ii. Department of Transportation Motor Vehicle Safety Standard 302 Flammability of Interior Materials
 - iii. California Administrative Code Title 19
 - iv. Federal Standard 191 Method 5903 (used by Port Authority of New York and New Jersey for drapery, curtain, and upholstery material)
 - v. Boston Fire Department Test BFD IX-1
 - vi. New York State Uniform Fire Prevention and Building Code
- b. GREENGUARD Gold Certified

3. QUALITY ASSURANCE

- a. SUPPLIER: Manufacturer, subsidiary or licensed agent shall be approved to supply the products specified, and to honor any claims against product presented in accordance with warranty
- b. INSTALLER: Installer or agent shall be qualified to install specified products by prior experience, demonstrated performance and acceptance of requirements of manufacturer, subsidiary, or licensed agent. Installer shall be responsible for an acceptable installation.

4. **UNIFORMITY:** Provide 2 inch Horizontal Aluminum Blinds of only one manufacturer for entire project.

5. DELIVERY, STORAGE AND HANDLING:

- a. Product shall be delivered to site in manufacturer's original packaging.
- b. Product shall be handled and stored to prevent damage to materials, finishes and operating mechanisms.

6. JOB CONDITIONS:

- a. Prior to shade installation, building shall be enclosed.
- b. Interior temperature shall be maintained between 60°F and 90° F. during and after installation; relative humidity shall not exceed 80%. Wet work shall be complete and dry.

7. SHOP DRAWINGS:

- a. Show fabrication and installation details for window treatments.

8. SAMPLES FOR SELECTION:

- a. For each color and texture specified, submit 2 sets of samples representing manufacturer's standard range of finishes for aluminum slats at 6 inches (152 mm) long.
- b. Include Samples of accessories involving color selection.
- c. Window treatments Schedule: Use same designations indicated on Drawings.

9. INFORMATIONAL SUBMITTALS

- a. PRODUCT DATA: Manufacturer's descriptive literature shall be submitted indicating materials, finishes, construction and installation instructions and verifying that product meets requirements specified. Manufacturer's recommendations for maintenance and cleaning shall be included.
- b. DRAWINGS AND DIAGRAMS: Wiring diagrams of any motorized components or units, working and assembly drawings shall be supplied as requested.
- c. SAMPLE: Responsible contracting officer or agent shall supply one sample shade of each type specified in this contract for approval. Supplied units shall be furnished complete with all required components, mounting and associated hardware, instructions and warranty.
- d. QUALIFICATION DATA: For Installer.
- e. PRODUCT CERTIFICATES: For each type of window treatments, signed by product manufacturer.
- f. PRODUCT TEST REPORTS: For each type of window treatments, for tests performed by [manufacturer and witnessed by a qualified testing agency] [a qualified testing agency].

10. CLOSEOUT SUBMITTALS

- a. Maintenance Data: For window treatments to include in maintenance manuals.
- b. Sample warranty document

11. MAINTENANCE MATERIAL SUBMITTALS

- a. Furnish extra materials that match products installed and that are packaged with protective covering for storage and identified with labels describing contents.

2" Aluminum Horizontal Blinds Product Specifications Continued

PART 2 - PRODUCTS

1. ACCEPTABLE MANUFACTURER

- A. Hunter Douglas Architectural / 9900 Gidley, CA 91731 / Phone: 800-727-8953 Fax: 800-205-9819/ Website: HunterDouglasArchitectural.com.
- B. Product substitutions must be approved by architect minimum of 30 days prior to close of bid.

2. PRODUCT: Riviera Commercial 2 Inch Aluminum Horizontal Blind

- A. MATERIALS: Steel headrail and aluminum blind
- B. SIZE SPECIFICATIONS:
 - i. Width: Minimum 10-1/2 inches to maximum 120 inches, 144 inches with 2 on one headrail
 - ii. Height: Minimum 12 inches to maximum 84 inches
- C. SLATS: 2 inch .008 gauge aluminum slat in dust resistant finish
- D. SLAT SUPPORT: 1.4mm Corded, braided ladder at 44 mm spacing
- E. HEADRAIL: Square steel head rail at 2.25 inch wide by 1.5 inch depth, 0.024 gauge
- F. VALANCE: Optional 2 slat channel valance
- G. BOTTOM RAIL: 1-1/2 inch wide by 1-1/8 inch high steel bottom rail with end cap, optional hold downs
- H. LIFTING MECHANISM: Cordless lift with balanced spring motor
- I. TILTING MECHANISM: Wand tilt
- J. TILT CONTROL WAND: Standard clear wand in control positions [left, right] at heights [12, 20, 24, 36, 48, 60, 72, or 84] inches
- K. MOUNTING HARDWARE:
 - i. Box Bracket dimension 1-1/2 inch height by 1-1/4 inch depth. Support brackets as required by blind width.
 - ii. Hidden Brackets optional
- L. FABRICATION:
 - i. Outside Mount: 1/4 inch deduction from headrail, 0 inch deduction from blind width
 - ii. Inside Mount: 3/4 inch deduction from headrail, 1/2 inch deduction from blind width
- M. FINISHES
- N. SLAT finish selection from standard selection
- O. SLAT SUPPORT braided ladders shall be color coordinated with slat

3. INSPECTION:

- A. SUBCONTRACTOR shall be responsible for inspection on-site, approval of mounting surfaces, installation conditions and field measurement for this work.
- B. OTHER INTERACTING TRADES shall receive drawings of shade systems, dimensions, assembly and installation methods from subcontractor upon request.

4. INSTALLATION

- A. Minimum depth for inside mount is 7/8 inch with hidden bracket and 1" with box bracket.
- B. Install product level, plumb and aligned with adjacent units per installation instructions
- C. Provide final installation conditions to ensure product is without damage at the time of substantial completion in a dust-free environment

End of Section 12492